

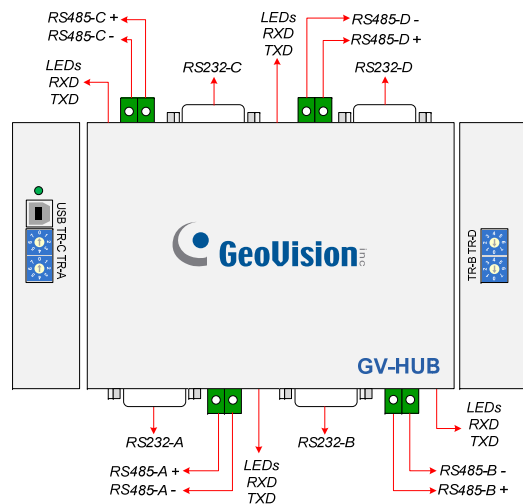
GV-Hub V2

The GV-Hub V2 adds four RS-232/RS-485 serial ports through your computer's USB port. The USB solution for serial port extension is perfect for any RS-485 to RS-232 conversion requirements, such as POS and PTZ applications.

Packing List

- | | |
|---|---------------------------|
| 1. GV-Hub V2 x 1 | 3. DB9 RS-232 Cable x 4 |
| 2. A to B USB Cable x 1
(1.2 meters / 3.93 feet) | (1.8 meters / 5.90 feet) |
| | 4. Installation CD x 1 |
| | 5. Installation Guide x 1 |

Overview



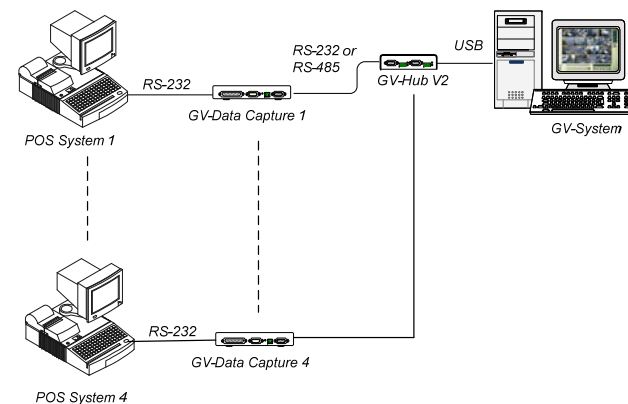
Note: There are four sets of RS-232 / 485 ports (A-D). In a single set, you can only choose RS-232 or RS-485 port for connection.

Connections

Following provides two examples of using the GV-Hub V2:

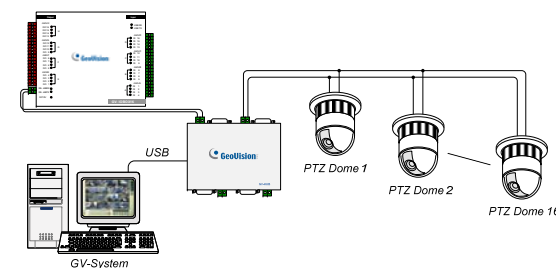
1. Connecting POS Systems

The GV-Hub V2 can provide a local connection for up to four POS systems, and deliver transaction data to the GV-System over a USB cable.



2. Connecting RS-485 Devices

With the GV-Hub V2, the GV-System can connect up to 16 PTZ domes and nine GV-I/O Boxes (16 ports, 8 ports, 4 ports) simultaneously.



Extending Transmission over the Distance

The transmission signals between the RS-485 communications become weak over the distance. To maintain the signals, switch on the Terminal Resistance Switch to reduce the resistance value. The longer the distance, the smaller the resistance value (Ω) should be switched on.

Terminal Resistance Switch



1. TR-A, TR-B, TR-C and TR-D is the Terminal Resistance Switch for RS485-A, RS-485-B, RS-485-C, and RS-485D respectively.
2. Followings are the address assignments of the Terminal Resistance Switch.

0	1	2	3	4	5	6	7
∞	120 Ω	60 Ω	40 Ω	30 Ω	24 Ω	20 Ω	17.14 Ω

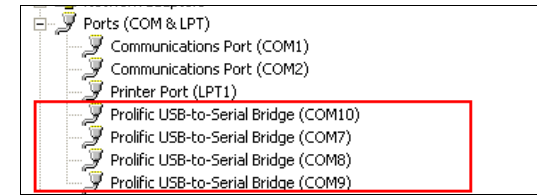
Installing Drivers

When you connect the GV-Hub V2 to the computer, the Found New Hardware Wizard will automatically detect the device. Ignore the wizard, and follow these steps to install the drivers.

1. Insert the installation CD to your computer.
2. Run **GvUsb.exe**.
3. When this warning window appears, click **Continue Anyway**. The drivers will be installed automatically.



To verify the drivers are installed correctly, go to **Device Manager**. Expanding the **Ports** field, you should see the 4 entries for **Prolific USB-to Serial Bridge**.



Specifications

OS Supported	32-bit	Windows XP / Vista / 7 / Server 2008
	64-bit	Windows 7 / Server 2008
Serial Interface	RS-232	Signal: DCD, RxD, TxD, DTR, GND, DSR, RTS, CTS Connector: DB9 Male x 4 (A, B, C, D)
	RS-485	Signal: D+, D- Connector: Terminal Block x 4 (0 ~7, ∞ ~17.14 Ω)
	Serial Line Protection	16 KV ESD for All Signals
USB	Compliance	USB 2.0 Backward Compatible
	Speed	Full Speed 12 Mbps
Communication Parameters	Parity	None, Even, Odd
	Data Bit	7, 8
	Stop Bit	1, 2
	Flow Control	RTS/CTS, XON/XOFF
Environmental Conditions	Speed	600 bps to 115,200 bps
	0~55 Degree C / 32~131 Degree F 5%~95% (Non-Condensing)	
Dimensions (W x H x D)	103 x 30 x 125 mm / 4.06 x 1.18 x 4.92 in	
Note: When GV-Hub V2 works with GV-Wiegand Capture, GV-Hub V2 does not support 64-bit Windows versions currently.		

Ordering Information

84-HUB04-200