



## Product at a Glance

- ▶ 1920x1080 resolution 60 fps (dual stream)
- ▶ True WDR (120 dB)
- ▶ IR LEDs (65 ft/20 m range)
- ▶ 3-9 mm lens (motorized focus and zoom)
- ▶ 0.4 lux low light capabilities (color)
- ▶ Video analytics
- ▶ Power-over-Ethernet (IEEE 802.3af) or 12 VDC
- ▶ Triple streaming video
- ▶ Two-way audio
- ▶ Analog composite video out
- ▶ uSD card slot for on-camera storage
- ▶ Rugged construction for harsh indoor or outdoor environments, IP66 rated
- ▶ IK10 rated for impact protection
- ▶ Surface mounting on wall or ceiling; pendant and in-ceiling mounting options
- ▶ Heater provides all-weather protection

## Overview

Vicon's Roughneck® V922D-A Series of HD IP Camera Domes is designed for performance in the most demanding security installations. The 1080P megapixel camera offers 120 dB Wide Dynamic Range (WDR) and IR illuminators. There are models with a manual or motorized varifocal autoiris lens.

The V922D-A Series provides triple-streaming video and supports H.264 compression technology, drastically reducing file sizes and conserving valuable network bandwidth. Users can receive multiple streams simultaneously in different resolutions, frame rates and image qualities for viewing on different platforms. MPEG-4 and M-JPEG compression are also provided. The camera can generate two streams at full 1080P resolution (60 fps); for triple stream 30 fps resolution for multi-camera displays.

The camera dome is designed for easy installation. Power over Ethernet (IEEE 802.3af) eliminates the need for power cables, providing a cost-effective method of installation. The camera

also accepts 12 VDC. The V922D-A can be mounted on a wall, ceiling or standard 4 x 4 electrical box. With an adapter, it can also be pendant mounted on a wall mount or in-ceiling. The camera position is adjustable to any view required. Additionally, a composite output is provided for installation using a spot monitor (NTSC/PAL selectable).

In order to adapt to constantly changing outdoor lighting conditions, the V922D-A series features an autoiris lens to protect from damage induced by direct sunlight. The true day/night progressive scan camera also includes a removable IR cut filter for superior image quality around the clock. Wide Dynamic Range (120 dB) further improves video exposure quality in scenes with high contrast between bright and dark areas.

For protection against the elements, the camera dome is IP66 rated with a vandal-proof casing to withstand rain, dust, and vandalism; it is secured by tamperproof screws. The camera dome provides 3-axis adjustment for any angle of view.

## SPECIFICATIONS

Model	V922D-W39IR-A V922D-W39MIR-A
Image Sensor:	1/2.8-inch progressive scan SONY Exmor CMOS Sensor
Max Resolution:	1920 x 1080 (1080p)
Image Settings:	Dynamic adjustable bit rate (VBR/CVBR). Digital image effects: horizontal flip, mirror and aisle. Configurable brightness, contrast, saturation, hue, sharpness. White balance. Digital zoom. Gain control. Electronic shutter speed. Day/night mode. BLC (Backlight Compensation). Dynamic Noise Reduction (2D and 3D). Motion detection (16 programmable zones). Privacy masking (8 zones). Event notification.
Video Analytics	DIS, Defog, Face detection, Tampering, Line detector, Field detector
Electronic Shutter Speed:	Auto (1 ~ 1/10,000 sec), manual
Digital Zoom:	Yes (ROI)
Day/Night Performance:	True day/night (IR cut filter)
Wide Dynamic Range	True WDR; 120 dB
Minimum Illumination:	V922D-W39IR-A: Color: 0.1 lux, B/W: 0 lux @f/1.2, 40 IRE V922D-W39MIR-A: Color: 0.1 lux, BW: 0.0 lux, IR On @f/1.3, 40 IRE
IR Distance:	65 ft (20 m) (with 24 IR LEDs)

## Lenses

Focal Length:	3-9 mm (3X zoom)
Max. Aperture:	Manual: f/1.2; Motorized: f/1.3
Iris:	Autoiris
Zoom/Focus Adjust:	Screw lever adjustable (manual units) or motorized focus and zoom (M model)
Field of View:	Horizontal: 100° - 40°

## Network Video Transmission

Network:	10Base-T, 100Base-TX, RJ-45
Image Compression:	H.264; MPEG-4; M-JPEG
Resolution:	1920x1080 (1080P), 1280x1024, 1280x720/960 (720P), 1024x768, 704x480/576 (D1), 640x360/480 (VGA), 320x240 (QVGA)
Protocol:	IPv4/IPv6, TCP/IP, HTTP, HTTPS, RTSP, RTCP, RTP, SMTP, DHCP, NTP, FTP, DDNS, UDP, uPnP, ARP, QoS, Zeroconf, Bonjour
Frame Rate:	Max 60 fps at 1920x1080
Streams:	Dual (60 fps: H.264 x1 and MJPEG x1) or Triple streaming (30fps: H.264 x2 and M-JPEG x1)
Users:	Live viewing for up to 10 clients and 3 users playback
Web Browser:	Internet Explorer®, Safari®, Firefox®, Google Chrome®
Security:	IP address filtering, HTTPS encrypted data transmission, SSL, password protection
Alarm:	2 inputs/1 output
Audio Streaming:	1 input/1 output; 2-way G.711 codec, 64 kbps bit rate
Audio Alert:	User-defined 3 audio files

## Mechanical and Electrical

Construction:	Die-cast aluminum base; polycarbonate plastic clear dome; tamperproof screws
Camera Angle of Adjustment:	3-axis adjustment, pan, tilt and roll (azimuth): 355° pan; 70° tilt; 355° rotation
Mounting:	Surface mount. Mounting accessories available for pendant/wall and in-ceiling.
Dimensions:	6.06 in. (154 mm) (Diam) x 5.0 in. (127.4 mm) (H), 4.3 in. (110 mm) (Dome Diam)
Weight:	2.5 lb (1.1 kg)

**SPECIFICATIONS**

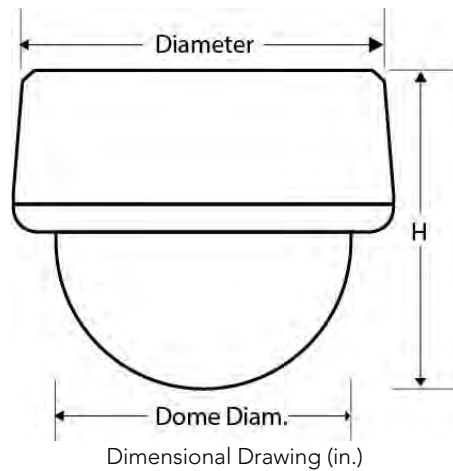
<b>Input Power:</b>	12 VDC, PoE IEEE 802.3af Class 0
<b>Current (IR on):</b>	12 VDC: 800 mA; PoE: 250 mA, max.
<b>Power Consumption (IR on):</b>	12 VDC: 9.6 W; PoE: 12 W, max.; with heater 3.5 W, PoE
<b>Storage:</b>	Slot for uSD card on camera (card not supplied)

**Controls and Connectors**

<b>External Controls:</b>	Focus, Zoom: control levers on non-motorized lens versions
<b>Connectors:</b>	Power: 12 VDC: screw terminal; PoE/Network: RJ-45 CAT 5. Alarm In/Out: screw terminal. Audio In and Out: 3.5mm jack (Audio Out requires external amplifier). Local Storage: uSD card slot. Composite output (3.5mm stereo jack) provided for installation (NTSC/PAL selectable).

**Environmental**

<b>Operating Conditions:</b>	Temp: -4 to 140° F (-20 to 60° C) without heater; -40 to 140° F (-40 to 60° C) with heater Humidity: up to 90%, non-condensing
<b>Approvals:</b>	UL, FCC Class A, CE, IP66, IK10
<b>Warranty:</b>	3 years



### Ordering Information

Resolution	Lens	Model Number
1080p resolution (2 MP)	3 - 9 mm autoiris varifocal lens	V922D-W39IR-A
	3 - 9 mm motorized zoom and focus lens	V922D-W39MIR-A

### Mounting Accessories



V920-PH



SVFT-WM



SVFT-UWM



SVFT-URM-1



V20B-A



V20B-A



V24CMB

Model Number	Description
V920-PH	Pendant housing used to convert V922D-A to pendant mounting; it can then be used with a variety of wall mounts
V920D-ICD	In-ceiling mounting kit for dropped ceiling
V920D-ICH	In-ceiling mounting kit for hard ceiling
SVFT-WM	Wall arm (short)
SVFT-UWM	Wall arm (long)
V20B-A	Pole mount adapter
SVFT-URM-1	Roof mount
V24CMB	Corner mount bracket

### Cable Adapters

Model Number	Description
V920D-OSD	OSD controller; for making changes from the OSD on the V920D series camera domes; for use with spot monitor
V920D-AUDIO	Audio jack cable assembly; used for audio in (mic)/audio out (speaker) on the V920D camera series