

6000-SERIES - 3MP IP DOME CAMERA

OE-C6123 / W2 / W3 / W6



The OE-C6123 micro dome camera from OpenEye provides superior video quality in a compact package, and is perfect for users that require a feature rich camera with a small foot print. Capture crystal clear pictures with a high resolution 3MP image sensor, and more detail in high contrast scenes with True WDR. You have a choice of 4 factory installed lens options for the perfect field of view, and a 3-Axis gimbal for simplified installation.

All OpenEye IP cameras are fully ONVIF™ compliant and are compatible with the OpenEye Web Services platform, allowing multiple users to view high quality images and perform remote setup using a Web browser.

FEATURES

- 3MP maximum resolution
- True Wide Dynamic Range @ 2MP
- MJPEG / H.264 video compression
- 3-axis gimbal
- 1/3" Progressive image sensor
- ONVIF™ Profile S compliant



SPECIFICATIONS

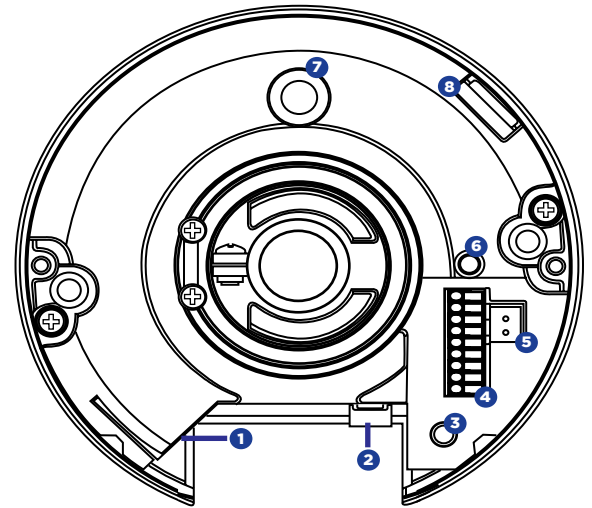
CAMERA	
Part Number	OE-C6123 / W2 / W3 / W6
Maximum Resolution	3MP
Image Sensor	1/3" Progressive CMOS
Video Compression	H.264 / MJPEG
Frame Rate	25 / 30 IPS @ 3MP H.264
ONVIF	Profile S
Streaming	Up to 4 simultaneous streams
Field of View	2.3mm fixed: 125° 3.6mm fixed: 71.8° 6mm fixed: 46°
Browser Support	Internet Explorer (6.0+) / Chrome / Firefox / Safari
Wide Dynamic Range	Shutter WDR on / off @ 2MP
White Balance	Auto / Manual / ATW / One Push
Auto White Balance Range	On / Off
Auto Gain Control	Yes

ENVIRONMENTAL	
IP Rating	N/A Indoor
Operating Temperature	-4 ~ 131 °F (-20 ~ 55 °C)
UL Listed Product	Yes

POWER	
Power Consumption	3.64W .6W w/SD card
Input Voltage	12vDC / 24vAC / PoE
PoE Class	2

PHYSICAL	
microSD Card Slot	SDXC 64GB support
Alarm In / Out	4-pin terminal block
Audio In / Out	2-pin terminal block
Camera Weight	.44lb (200g)
Dimensions	ø4.13 x 2.04in (ø105 x 52mm)
Housing / Dome Cover	Plastic housing

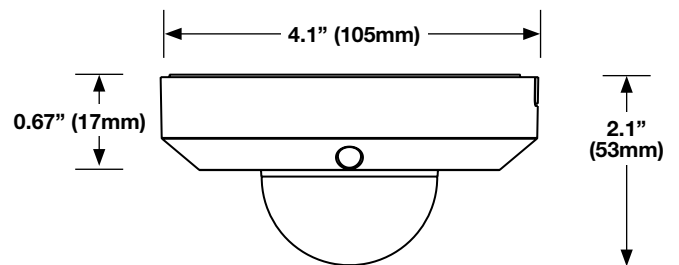
CONNECTIONS



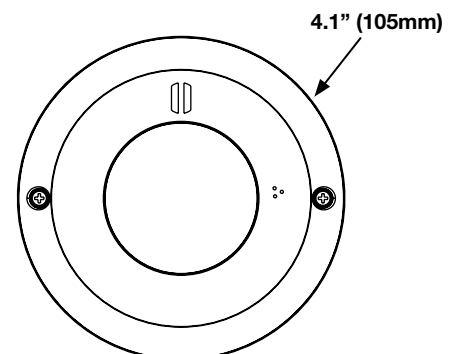
1	RJ-45	-	For network and PoE connections		
2	Power (12vDC / 24vAC)	1	12vDC +	24vAC1	Power Connection
		2	GND -	24vAC2	
3	Reset Button	-	Press the reset button with a proper tool for at least 20 seconds to return the camera to factory defaults		
4	Alarm & Audio I / O	1	Alarm Out +	Alarm connection	
		2	Alarm Out -		
		3	Alarm In +		
		4	Alarm In -		
		5	GND	Ground connection	
		6	Audio Out	Two-way audio transmission	
		7	Audio In		
5	BNC	-	For analog video output		
6	Built-in Microphone	-	Audio In		
7	Speaker	-	Audio Out		
8	microSD Card Slot	-	Insert the microSD card into the slot to store videos and snapshots		

DIMENSIONS

FRONT VIEW



TOP VIEW



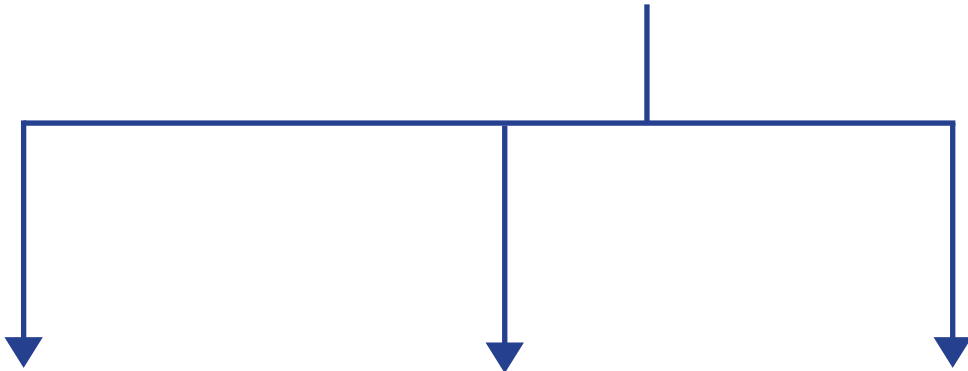
ACCESSORIES



OE-C6123-W



OE-CA6000APM
(OE-C6123-W Accessory Mount
Adapter Plate)



OE-CA611WM
(Indoor Wall Mount)



OE-CA6000PMK
(Indoor Pendant Mount)



Kit: OE-CA6000PMG
(Gooseneck Wall Mount Kit)