

HD-TVI Full HD 1080p Varifocal 300' IR Bullet w/ 5~50mm Motorized Autofocus Lens

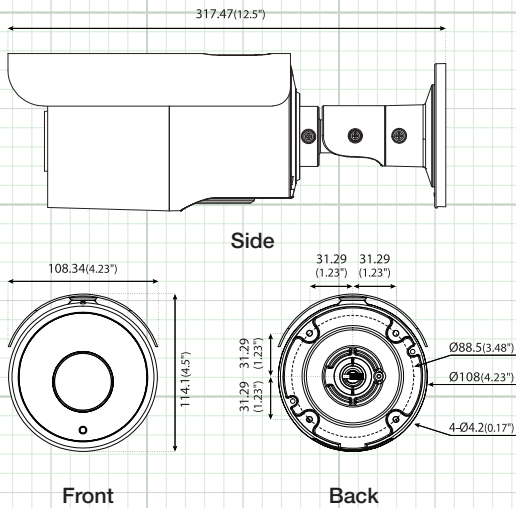


FEATURES:

- ◆ True 120dB Wide Dynamic Range
- ◆ 5-50mm Motorized Autofocus IR Lens
- ◆ True D/N Mechanical IR Cut Filter
- ◆ Joystick & UTC Controllable OSD
- ◆ Easy Access OSD Hatch
- ◆ TVI & 960H Main Video Outputs
- ◆ Video Test Output/Cable (960H)
- ◆ 12VDC/24VAC Dual Voltage Power
- ◆ 300' IR Range / 4 High Power LED's
- ◆ Sense-up / Northern Lights Technology
- ◆ 3D Digital Noise Reduction
- ◆ Built-in Heater/-40° Operating Temperature
- ◆ 3-Axis Cable Management Mount
- ◆ 1/3" 2MP CMOS Sensor
- ◆ IP66 Weatherproof



CAMERA OVERVIEW:



INCLUDED ACCESSORIES:

1. User Manual
1. Mounting Hardware Packet
1. Video Test Cable
1. L Style Wrench
1. Mounting Template

SPECIFICATION	TVIAFBIR300
Image Sensor	2MP Progressive Scan CMOS
Active Pixels	1944(H)*1092(V)
Resolution	1920 x 1080 (1080p)
Scanning System	Progressive Scan
OSD (On Screen Display)	UTC (Coaxial Control) / Joystick (Access Door on Camera)
True WDR (Wide Dynamic Range)	120dB
3D Digital Noise Reduction	2DNR + 3DNR (Adjustable)
Video Output	HD-TVI & 960H BNC Video Connectors
Lens Type - Auto Focus Motorized	True Day Night, IR Type, 5~50mm (50.9° - 6.2° FOV)
Sense-up	Auto (x2 ~ x13 Adjustable) / OFF
Shutter Speed	Iris / Manual (1/30s ~ 1/30,000s)
IR Cut Filter	Yes - Built in Mechanical
Minimum Illumination	0.01Lux @ (F1.2, AGC ON), 0 Lux with IR
IR LED Count / Range	4 EXIR LED / 330' / 850nm
S/N Ratio	62dB
Automatic Gain Control	(0~15) Adjustable
Sync System	Internal Synchronization
White Balance	ATW / AWC-SET / MANUAL
Back Light Compensation	BLC / HSBLC / OFF / WDR
HSBLC	4 Zone (Adjustable)
Day/Night	Trigger / Auto / Color /
Mirror	Mirror / V-Flip / Rotate / Off
Digital Zoom	(x2 ~ x62) Adjustable
Languages	English, French
Brightness	(1~14) Adjustable
Motion Detection	On/Off, Maximum 4 zones
Privacy Mask	On/Off, Maximum 8 zones
Power Input	12 VDC ±10%, 24 VAC ±15%
Power Requirement	Max 20W
Overall Camera Dimensions	318x109x114mm (12.5" x 4.25" x 4.5")
Weight	3.09 Lb.
Operating Temperature	-40 °C ~ 60 °C (-40 °F ~ 140 °F)
Heater	Built-in
Weatherproof Rating	IP 66
Certifications	UL / CUL Certified

Note: Specification subject to change without notice