

IQeye



ONVIF

Overview

The IQeye 9 series of cameras is a full-featured multi-megapixel box camera. Using the latest micro-processing chip technology, all models include the increased processing power needed to run analytics or VMS applications at the edge, as well as on-camera storage and true day/night capability. Models with WDR are also offered. The physical form of the camera can be modified by removing or adding end caps, which provides flexibility for installation in a variety of locations.

Wide Range of Models Available

Available in H.264 models with support for HD720p, HD1080p, 3MP and 5MP resolutions, the camera provides the highest quality megapixel images with the lowest bandwidth demands. Both ONVIF and PSIA compliant, it has been designed for wide indoor application use and works seamlessly with all leading NVR/VMS providers. A choice of models with a motorized varifocal lens or with no lens and a CS-mount are available. Refer to the Models and Descriptions table.

Product at a Glance

- ▶ Resolutions up to 5 MP
- ▶ H.264 Main Profile + MJPEG compression
- ▶ 1, 2 MP WDR (100dB)
- ▶ Choice of varifocal lens or no lens models
- ▶ On-camera storage (Micro SDHC)
- ▶ Two-way audio plus on-camera microphone
- ▶ True day/night movable IR filter
- ▶ Power-over-Ethernet (PoE); 12 VDC; 24 VAC
- ▶ Alarm I/O
- ▶ Analog video out
- ▶ ONVIF and PSIA compliant
- ▶ Vicon analytics* and IQaccess supported
- ▶ Optional IR illuminator

Enhanced Features

The 9 series cameras include enhanced features such as analog video out, alarm I/O, real-time clock, and internal microphone plus two-way audio capability; the audio capability allows the free on-board IQaccess software to be used, that integrates into an intercom system. The cameras are designed to conceal the lens and cables plugged into the connectors, giving the camera a clean, uncluttered look after installation. Additionally, an optional IR illuminator is available that increases the low light capability of the camera. A housing, model HPOE-100 includes built-in PoE and IR LEDs with a heater and fan.

Embedded Vicon Analytics (*Future Support)

Free basic edge-based analytics seamlessly integrate into ViconNet VMS. Alerts are generated without need of analytics server.

● Intelligent Video Motion Detection	● Camera Tampering Detection	● Intrusion Detection
Reduces the number of false alarms by intelligently analyzing motion in a scene to filter out false triggers caused, for example, by lighting changes and movement by animals or trees	Monitors video to detect camera failures or tampering, including lens blocking or change in angle of view, and generates an alert	Provides automated perimeter monitoring to secure a specific area for person or vehicle intrusion

IQeye 9 CAMERA SERIES SPECIFICATIONS



Model	IQB91WI-A5	IQB92WI-NL; IQB92WI-A5	IQB93NI-A6	IQB95NI-NL; IQB95NI-A6
Cameras				
Image Sensor:	1/2.7"		1/3.2"	
Max Resolution:	HD 720P - 1280 x 720	HD 1080P - 1920 x 1080	3.1 MP - 2048 x 1536	5.0 MP - 2560 x 1920
Image Settings:	Digital image effects: flip and rotate (horizontal and vertical) 180°. Configurable brightness, contrast, saturation, sharpness. White balance. Digital zoom. Gain control. Exposure. Electronic shutter speed. Day/night mode. BLC (Backlight Compensation). Motion detection. Privacy masking. Event recording/notification. WDR on select models (refer to model descriptions). Time-lapse recording.			
Shutter Speed:	Auto/Programmable/Fixed			
Day/Night Performance:	True day/night (IR cut filter)			
Minimum Illumination:	Color: 0.1 lux; B/W: <0.05 lux; 0 lux with external IR source		Color: 0.2 lux; B/W: <0.05 lux; 0 lux with external IR source	
IR Response (sensor):	800 to 940 nm			
IR Illumination Distance:	49 ft (15 m); available with optional accessory on certain models; not available on NL models			
Lenses				
Focal Length:	A5: 2.8-12 mm; A6: 2.8-8.5 mm; NL: CS-mount (no lens)			
Max. Aperture:	A5: f/1.4; A6: f/1.2			
Iris:	A5: P-iris; A6: P-iris; NL: supports autoiris			
Zoom/Focus Adjust:	A5: motorized; A6: motorized			
Horizontal Field of View:	A5: 101° - 35°		A6: 93°-44°	
Network Video Transmission				
Network:	10Base-T, 100Base-TX, RJ-45			
Image Compression:	H.264; M-JPEG			
Resolution:	1280x720 (720P), 720x480 (480P), 352x240 (CIF)	1920x1080 (1080P), 1280x720 (720P), 720x480 (480P), 352x240 (CIF)	2048x1536 (3 MP), 1920x1080 (1080P), 1280x720 (720P), 720x480 (480P), 352x240(CIF)	2560x1920 (5 MP); 2048x1536 (3 MP); 1920x1080 (1080P), 1280x720 (720P), 720x480 (480P), 352x240 (CIF)
Protocol:	TCP/IP, HTTP, HTTPS, DHCP, UDP, RTP, RTSP, DNS, ARP, ICMP, NTP, UPnP, ZeroConf, UDP multicast, APIPA, CIFS, SNMP, SMTP, Telnet			
Max. Frame Rate:	1080p@30 fps		3MP@20 fps 5MP@15 fps	
Streams:	Triple streaming			
Users:	Live viewing for up to 10 clients			
Web Browser:	Internet Explorer®, Safari®, Firefox®, Google Chrome®			
Security:	HTTPS encrypted configuration, SSL, multi-level password protection			
Apps and Utilities:	IQfinder; IQmanager; IQaccess; Vicon basic edge-based analytics (future support): Intelligent Motion Detection - analyzes motion in a scene to filter out false triggers, reducing the number of false alarms; Camera Tampering - monitors video to detect camera failures or tampering, including lens blocking or change in angle of view, and generates an alert; Intrusion Detection - provides automated perimeter monitoring to secure a specific area for person or vehicle intrusion			
Mechanical				
Construction:	Aluminum and plastic; black			
Camera Adjustment:	Mounting option dependant			
Mounting:	1/4-20 mounting holes provided, top and bottom.			
Dimensions:	5.07 in. (128.9 mm) (Length) x 2.72 in. (69 mm) (W) x 2.76 in. (70.2 mm) (H). Refer to Dimensional Drawings.			
Weight:	0.4 lb (0.165 kg)			

SPECIFICATIONS

Input/Output

Input Power:	Power over Ethernet (PoE, 802.3af Class 2); 24 VAC; 12 VDC
Power Consumption:	<4.0 W, without IR; <5.5 W, with IR
Audio IO:	Two way G.711 PCM 8kHz; built-in microphone. External Audio Connections: Audio In: line level AC coupled (1V rms max); Audio Out: line level AC coupled.
Storage:	Slot for Micro SD class 10 UHS on camera (card* not supplied)

Controls and Connectors

External Controls:	Factory Reset Button.
Connectors:	Power PoE/Network: RJ-45 CAT 5. Local Storage: Micro SD card slot. Alarm In/Alarm Out (Relay control): push-in terminal, Alarm in should only be connected with a open collector/mechanical switch and Alarm out limited to 15mA, 5V input; External Audio In/Out: push-in terminal; Analog output for installation: push-in terminal. DC Lens: 4-pin DIN on no lens (NL) models.

Environmental

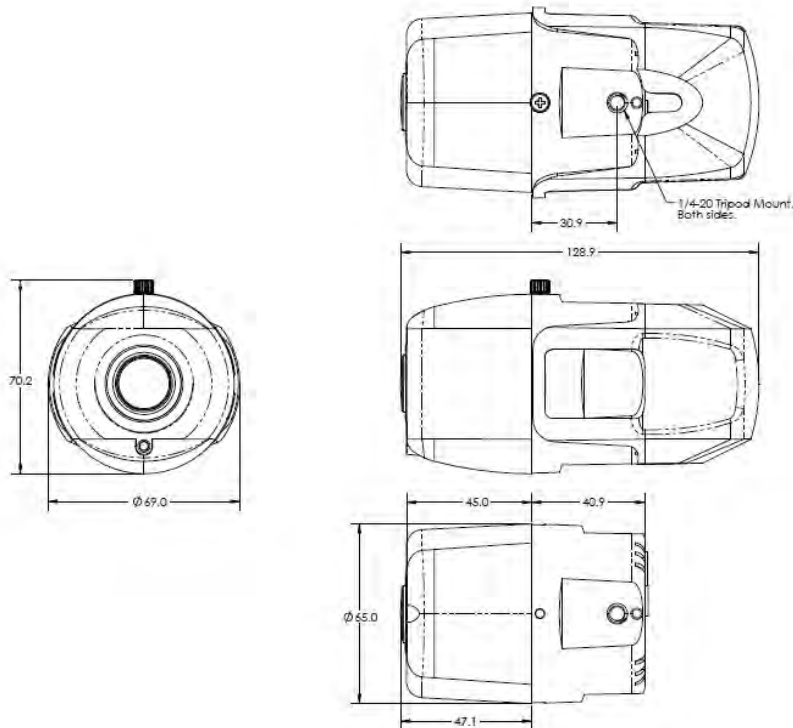
Operating Conditions:	Temp: 32 to 113° F (0 to 45° C)
Approvals:	UL, cUL, FCC Class A, CE, RoHS 2
Warranty:	3 years

*Micro SD Card Spec:

Class 10 speed rating; UHS speed class 1; max. 128 GB

Tested and Approved: microSDHC SanDisk Extreme 8 GB and 16 GB; microSDXC SanDisk Extreme 16 GB, 32 GB and 64 GB

Dimension Drawings



ORDERING INFORMATION

Models and Descriptions

Model	Max. Resolution	Max. Frame Rate (@ max. resolution)	Min. Illumination (without IR)	Field-of-View
IQB91WI-A5	HD 720P - 1280 x 720	30 fps	Color: 0.1 lux; BW: <0.05 lux	A5: 101°- 35°
IQB92WI-NL	HD 1080P - 1920 x 1080	30 fps	Color: 0.1 lux; BW: <0.05 lux	No lens; CS-mount
IQB92WI-A5	HD 1080P - 1920 x 1080	30 fps	Color: 0.1 lux; BW: <0.05 lux	A5: 101°- 35°
IQB93NI-A6	3.1 MP - 2048 x 1536	20 fps	Color: 0.2 lux; BW: <0.05 lux	A6: 93°- 44°
IQB95NI-NL	5.0 MP - 2560 x 1920	10 fps	Color: 0.2 lux; BW: <0.05 lux	No lens; CS-mount
IQB95NI-A6	5.0 MP - 2560 x 1920	10 fps	Color: 0.2 lux; BW: <0.05 lux	A6: 93°- 44°

N=Day/Night; I=Indoor; W=WDR

Accessories

Model	Description
IQB9-IR	IR illuminator accessory; for IR functionality in low light conditions
HPOE-100	Outdoor housing; includes built-in PoE, IR LEDs, heater and fan