



Overview

Popular for its size and versatility, the Alliance-mini line includes both cost-effective models and models with enhanced functionality. All models include the increased processing power needed to run analytics or VMS applications at the edge, as well as on-camera storage and true day/night capability; models with WDR are also offered.

Wide Range of Models Available

Available in H.264 with support for HD720p, HD1080p, 3MP and 5MP resolutions, the Alliance-mini provides the highest quality megapixel images with the lowest bandwidth demands. Both ONVIF and PSIA compliant, the Alliance-mini has been designed for wide indoor application use and works seamlessly with all leading NVR/VMS providers. A choice of models with fixed or varifocal lenses are available. Refer to the Models and Descriptions table.

Enhanced Features

The WDR and 5MP enhanced feature models include real-time clock, analog out, I/O relay and two-way audio capability; the audio capability allows the free on-board IQaccess software to be used, that integrates into an intercom system.

*The Alliance-mini WDR and 5MP models ship with black and beige aluminum trim rings for aesthetic flexibility and convenience. The non-WDR (IQD6xN) models ship with black plastic trim rings.

Product at a Glance

- ▶ Resolutions up to 5 MP
- ▶ H.264 Main Profile + MJPEG compression
- ▶ 1, 2, 3 MP WDR (100dB)
- ▶ Fixed and varifocal lens models
- ▶ On-camera storage (Micro SDHC)
- ▶ Two-way audio (WDR and 5MP models only)
- ▶ True day/night movable IR filter
- ▶ Power-over-Ethernet
- ▶ 3-axis gimbal
- ▶ I/O relay (WDR and 5MP models only)
- ▶ Real-time clock (WDR and 5MP models only)
- ▶ Analog out (WDR and 5MP models only)
- ▶ Beige or black trim ring (model dependent)*
- ▶ Cast aluminum trim ring (WDR and 5MP models only)*
- ▶ ONVIF and PSIA compliant
- ▶ IQaccess supported (WDR and 5MP models only)

Embedded Vicon Analytics

Free basic edge-based analytics seamlessly integrate into ViconNet VMS. Alerts are generated without need of analytics server.

● Intelligent Video Motion Detection	● Camera Tampering Detection	● Intrusion Detection
Reduces the number of false alarms by intelligently analyzing motion in a scene to filter out false triggers caused, for example, by lighting changes and movement by animals or trees	Monitors video to detect camera failures or tampering, including lens blocking or change in angle of view, and generates an alert	Provides automated perimeter monitoring to secure a specific area for person or vehicle intrusion

SPECIFICATIONS

Model	IQD61NI-F11; IQD61NI-B7; IQD61WW-F13; IQD61WW-B7	IQD62NI-F11; IQD62NI-B7 IQD62WW-F13; IQD62WW-B7	IQD63WW-F13; IQD63WW-B7	IQD65NV-F13
Cameras				
Image Sensor:	WW: 1/3.2" CMOS; NI: 1/2.7" CMOS		1/3.2" CMOS	1/3.2" CMOS
Max Resolution:	HD 720P - 1280 x 720	HD 1080P - 1920 x 1080	3.1 MP - 2048 x 1536	5.0 MP - 2560 x 1920
Image Settings:	Digital image effects: flip and rotate (horizontal and vertical)180°. Configurable brightness, contrast, saturation, sharpness. White balance. Digital zoom. Gain control. Exposure. Electronic shutter speed. Day/night mode. BLC (Backlight Compensation). Motion detection. Privacy masking. Event recording/notification. WDR on select models (refer to model descriptions). Time-lapse recording. Real-time clock (WDR/5MP only).			
Electronic Shutter Speed:	1/8000			
Day/Night Performance:	True day/night (IR cut filter)			
Minimum Illumination:	Color: 0.2 lux; B/W: <0.05 lux; 0 lux with external IR source			

Lenses

Focal Length:	B7: 3-6 mm; F13: 2.5 mm; F11: 2.8 mm		F13: 2.5 mm	
Max. Aperture:	B7: f/2.0; F13: f/2.0; F11: f/2.0		F13: f/2.0	
Iris:	Fixed		Fixed	
Zoom/Focus Adjust:	F11/F13: manual; B7: varifocal		Manual	
Horizontal Field of View:	B7 (NI): 60° - 99°; B7 (WW): 46° - 82°; F13 (WW): 97°; F11 (NI): 116°		B7 (WW): 49° - 88°; F13 (WW): 103°	

Network Video Transmission

Network:	10Base-T, 100Base-TX, RJ-45			
Image Compression:	H.264; M-JPEG			
Resolution:	1280x720 (720P), 720x480 (480P), 352x240 (CIF)	1920x1080 (1080P), 1280x720 (720P), 720x480 (480P), 352x240 (CIF)	2048x1536 (3 MP), 1920x1080 (1080P), 1280x720 (720P), 720x480 (480P), 352x240(CIF)	2560x1920 (5 MP); 2048x1536 (3 MP); 1920x1080 (1080P), 1280x720 (720P), 720x480 (480P), 352x240 (CIF)
Protocol:	TCP/IP, HTTP, HTTPS, DHCP, UDP, RTP, RTSP, DNS, ARP, ICMP, NTP, UPnP, ZeroConf, UDP multicast, APIPA, CIFS, SNMP, SMTP, Telnet			
Max. Frame Rate:	30 fps		20 fps	
Streams:	Triple streaming			
Users:	Live viewing for up to 10 clients			
Web Browser:	Internet Explorer®; Safari®, Firefox®, Google Chrome®			
Security:	HTTPS encrypted configuration, SSL, multi-level password protection			
Apps and Utilities:	IQfinder, IQmanager, IQaccess (WDR/5MP models only), Vicon analytics: Intelligent Motion Detection - analyzes motion in a scene to filter out false triggers, reducing the number of false alarms; Camera Tampering - monitors video to detect camera failures or tampering, including lens blocking or change in angle of view, and generates an alert; Intrusion Detection - provides automated perimeter monitoring to secure a specific area for person or vehicle intrusion			

Mechanical and Electrical

Construction:	Cast aluminum base; polycarbonate plastic clear dome; tamperproof screws; black and beige cast aluminum trim ring on WDR/5MP models, black plastic trim ring on IQD6xN models			
Camera Adjustment:	3-axis adjustment, pan, tilt and roll (azimuth)			
Mounting:	Surface mount. Mounting accessories available for pendant/wall.			
Dimensions:	4.52 in. (115 mm) (Diam) x 2.78 in. (70.7 mm) (H), 2.9 in. (73.7 mm) (Dome Diam). Refer to Dimensional Drawing.			
Weight:	0.66 lb (0.3 kg)			

SPECIFICATIONS

Input/Output

Input Power:	Power over Ethernet (PoE, 802 3af Class 2)
Power Consumption (IR on):	<4.0 W, typical
Audio IO:	WDR/5MP only: Two way G.711 PCM 8kHz; built-in microphone; mic/line in, line out
Storage:	Slot for Micro SD class 10 UHS on camera (card not supplied)

Controls and Connectors

External Controls:	Focus and zoom rings on B7 lens; Factory Reset Button.
Connectors:	Power PoE/Network: RJ-45 CAT 5. Local Storage: Micro SD card slot. I/O Relay/Audio In/Out/Analog output for installation (WDR/5MP models only): requires optional cable or backbox with cable (see accessories table).

Environmental

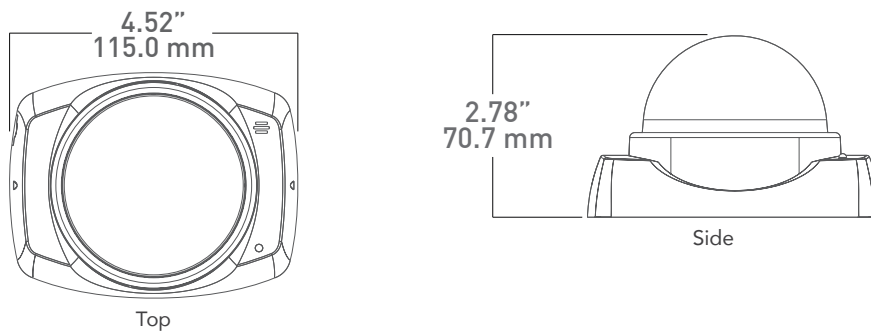
Operating Conditions:	Temp: 32 to 104° F (0 to 40° C)
Approvals:	UL, cUL, FCC Class A, CE, RoHS 2, IK7
Warranty:	3 years

*Micro SD Card Spec:

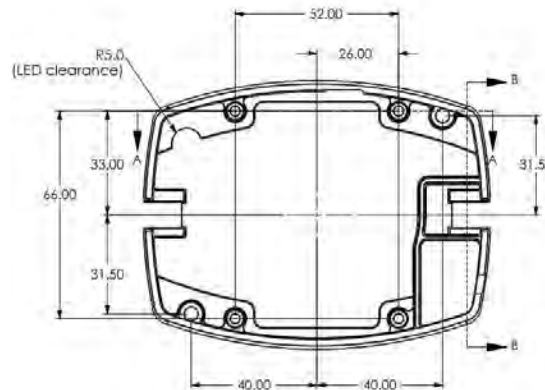
Class 10 speed rating; UHS speed class 1; max. 128 GB

Tested and Approved: microSDHC SanDisk Extreme 8 GB and 16 GB; microSDXC SanDisk Extreme 16 GB, 32 GB and 64 GB

Dimension Drawings



Mounting Hole Dimensions (mm)



Models and Descriptions

Model	Max. Resolution	Max. Frame Rate (@ max. resolution)	Min. Illumination (without IR)	Field-of-View
IQD61NI-F11	HD 720P - 1280 x 720	30 fps	Color: 0.2 lux; BW: <0.05 lux	F11: 116°
IQD61NI-B7	HD 720P - 1280 x 720	30 fps	Color: 0.2 lux; BW: <0.05 lux	B7: 60° - 99°
IQD61WV-F13	HD 720P - 1280 x 720	30 fps	Color: 0.2 lux; BW: <0.05 lux	F13: 97°
IQD61WV-B7	HD 720P - 1280 x 720	30 fps	Color: 0.2 lux; BW: <0.05 lux	B7: 46° - 82°
IQD62NI-F11	HD 1080P - 1920 x 1080	30 fps	Color: 0.2 lux; BW: <0.05 lux	F11: 116°
IQD62NI-B7	HD 1080P - 1920 x 1080	30 fps	Color: 0.2 lux; BW: <0.05 lux	B7: 60° - 99°
IQD62WV-F13	HD 1080P - 1920 x 1080	30 fps	Color: 0.2 lux; BW: <0.05 lux	F13: 97°
IQD62WV-B7	HD 1080P - 1920 x 1080	30 fps	Color: 0.2 lux; BW: <0.05 lux	B7: 46° - 82°
IQD63WV-F13	3.1 MP - 2048 x 1536	20 fps	Color: 0.2 lux; BW: <0.05 lux	F13: 103°
IQD63WV-B7	3.1 MP - 2048 x 1536	20 fps	Color: 0.2 lux; BW: <0.05 lux	B7: 49° - 88°
IQD65NV-F13	5.0 MP - 2560 x 1920	10 fps	Color: 0.2 lux; BW: <0.05 lux	F13: 93°

N=Day/Night; I=Indoor; W=WDR; V=Vandal-Resistant; WDR/5MP models have I/O relay, real-time clock and analog out features

Mounting Accessories

Model	IQD4-PB-5	IQD4-PG-5	IQD4-WB	IQD4-WG
Description	Black pendant mount; pack of 5. Allows installation on a ceiling surface with the dome oriented towards the ground.	Beige pendant mount; pack of 5. Allows installation on a ceiling surface with the dome oriented towards the ground.	Black wall mount. Allows installation on a wall surface with the dome oriented towards the ground.	Beige wall mount. Allows installation on a wall surface with the dome oriented towards the ground.
Height	1.5 in. (38.3 mm)	1.5 in. (38.3 mm)	4.7 in. (118.9 mm)	4.7 in. (118.9 mm)
Width	4.5 in. (115.0 mm)	4.5 in. (115.0 mm)	3.5 in. (90.0 mm)	3.5 in. (90.0 mm)
Depth	3.5 in. (90.0 mm)	3.5 in. (90.0 mm)	5.1 in. (129.5 mm)	5.1 in. (129.5 mm)
Weight	0.12 lb (55.4 g) each	0.12 lb (55.4 g) each	0.2 lb (90.7 g)	0.2 lb (90.7 g)

Model	IQD-GBA	IQD-CAB
Description	Gang box adapter. Allows installation onto an electrical gang box.	Provides termination of I/O relay, audio and analog video cables when installation is in a drop ceiling.
Height	0.12 in. (3.0 mm)	0.43 in. (11 mm)
Width	5.5 in. (140.0 mm)	1.5 in. (38 mm)
Depth	5.5 in. (140.0 mm)	10.2 in. (260 mm) (length)
Weight	0.7 lb (337.2 g)	0.02 lb (9 g)