



>>> HIGH RESOLUTION COVERT "MULLION" CAMERA

700TVL COVERT CAMERA

CM728PB CM728PS



- > Covert Camera allows Close-up, Eye Level Imaging of Facial Image which is Superior to Overhead Camera Views that can Hamper Facial Recognition
- > Ultimate Video Image Quality with 1/3" CCD, High Resolution 700TVL Color Camera
- > Unique "Mullion" Housing Designed to be Installed in Standard Commercial Door Frames Provides Detailed View of Customer Passing By The Door
- > Digital Day/Night Functionality for Low-light Applications
- > 130°, 2.8mm Lens for Excellent Wide Angle Image Capture
- > 2D-Digital Noise Reduction (DNR) for Increased Video Image Quality
- > Available in Black or Silver Case Color
- > Standard BNC Video and Coaxial Jack Power Connections
- > 12VDC Power Supply Included

700TVL COVERT CAMERA

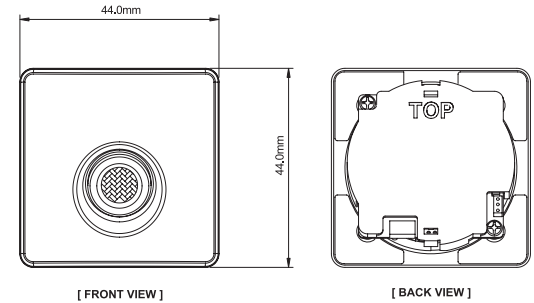
CM728PB / CM728PS

SPECIALTY SERIES

SPECIFICATIONS

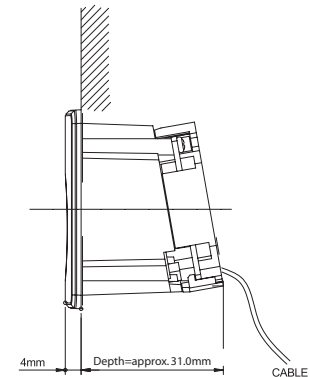
	MODEL MODEL	CM728PB - 700 TVL Color Camera, Black Case CM728PS - 700 TVL Color Camera, Silver Case
POWER	Power Source	12~15VDC +/- 10%
	Power Consumption	Max 1.6 Watts (130mA)
GENERAL	Image Sensor	1/3" CCD
	Total Pixels	1020(H) x 508(V)
	Scanning System	2:1 Interlace
	Scanning Frequency	15.734KHz(H), 59.94Hz(V)
	Sync. System	Internal
	Electronic Shutter	1/60 ~ 1/100,000 sec.
	Resolution	700TVL Color
	Min. Illumination	0.1Lux Color; 0.04Lux B/W @ F1.2, 50 IRE
	Video Output	1.0 Vp-p (75 ohm, Composite)
FUNCTION	S/N Ratio	> 50dB (AGC off)
	Auto Exposure	ON
	White Balance	ATW Fixed
	Gain Control	Auto
	2D-DNR	Auto
CONNECTOR	Day/Night	ON
	Power Input	Coaxial Jack, 2.1mm
	Video Output	BNC connector
	Lens Mount	Fixed mount
	Lens	2.8mm Fixed
	Operating Temperature	32° - 122°F (0° - 50°C)
	Operating Humidity	0 ~ 96% (non-condensing)
	External Dimension (WxHxD)	1.73 x 1.73 x 1.38 inches 44 x 44 x 35 mm
	Weight	2.3oz, 65g
	Standards Compliance	FCC, RoHS; Power Supply only - UL

DIMENSIONS

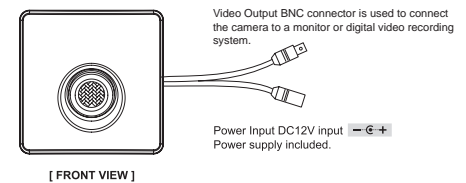


[FRONT VIEW]

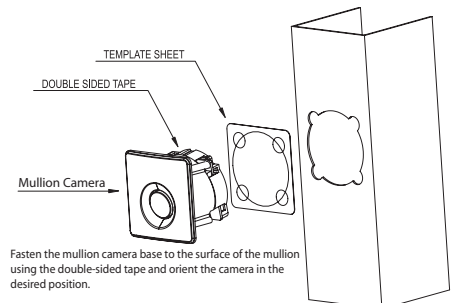
[BACK VIEW]



[SIDE VIEW 1]



[FRONT VIEW]



Fasten the mullion camera base to the surface of the mullion using the double-sided tape and orient the camera in the desired position.