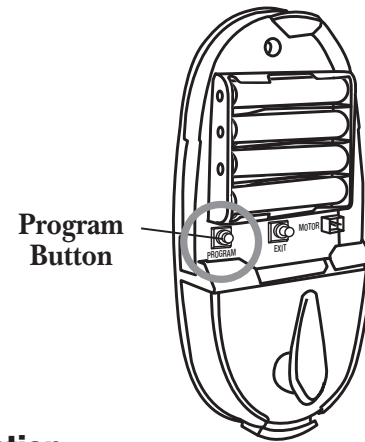
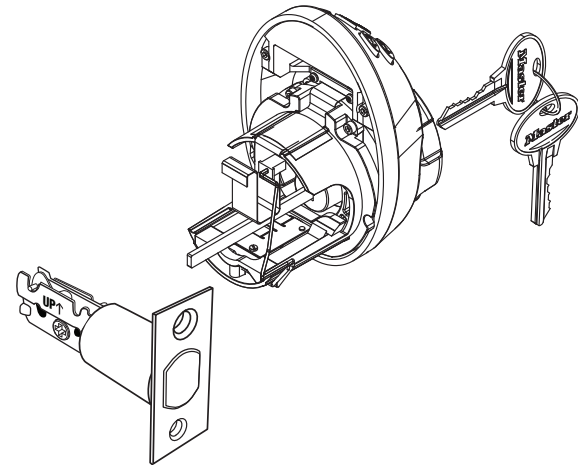
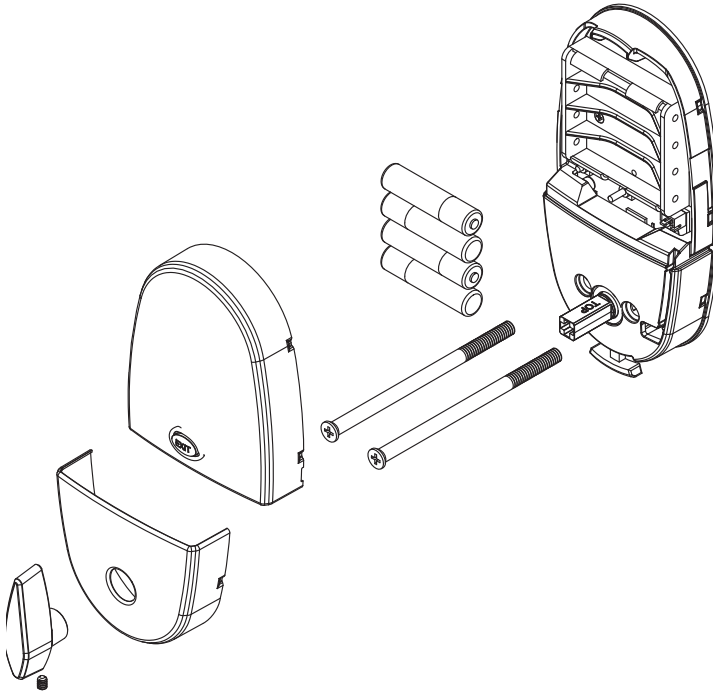


Electronic Keypad NightWatch® Deadbolt

Grade 2 Residential

Part Number		Product Description
Retail	Boxed	
DSKP0603PD	DSKP0603P	NightWatch, Electronic Keypad, Polished Brass
DSKP0605D	DSKP0605	NightWatch, Electronic Keypad, Antique Brass
DSKP0615D	DSKP0615	NightWatch, Electronic Keypad, Satin Nickel
DSKP0612PD	DSKP0612P	NightWatch, Electronic Keypad, Aged Bronze



Keypad Deadbolt – Quick Reference for Programming Function

Step 1 Remove battery cover – Press and hold PROGRAM button until blue light flashes.

Step 2 Enter the data in the row below based on what you want to do.

- (Blue Light)
- (Green Light)
- (Red Light)

Steps >	2a	2b	2c	2d	2e	2f	2g	
Function	Enter Admin Code (from page 2 of User Guide)	Press Function Button	Press Enter	Enter	Press Enter	Data Confirmaton	Press Enter	Programming Completed
Add a User Code	Admin Code	1-2	ENTER	New 4 to 10 digit User Code	ENTER	New 4 to 10 digit User Code	ENTER	ENTER
Remove a User Code	Admin Code	1-2	ENTER	User Code to be removed	ENTER	User Code to be removed	ENTER	GREEN light is good RED light, restart at step 1
Change Admin Code	Admin Code	1-2	ENTER	New 6 digit Admin Code	ENTER	New 6 digit Admin Code	ENTER	
Delete All User Codes	Admin Code	1-2	ENTER	Current Admin Code	ENTER	ENTER GREEN light is good / RED light, restart at step 1		ENTER
Deactivate/Reactivate All user codes	Admin Code	1-2	ENTER		ENTER GREEN light is good / RED light, restart at step 1			ENTER

We recommend confirming changes by testing code after programming is complete