



never compromise

The value of any product is equal to the quality of the labor and materials put into making it. And the Yale® 8800 series mortise lock is a perfect example that true quality doesn't just happen. Meticulous design and engineering have gone into manufacturing a mortise lock that brings you versatility as well as uncompromising strength and durability.

With quick lever handing and a quick reversible latchbolt, lockset handing takes only seconds. Add a standard non-handed curved lip strike, and you have a no-hassle mortise lock that's quick and easy to install.

When it comes to strength, the Yale® 8800 series brings a new measure of security to the door. Its 1" throw stainless steel deadbolt extends further back into the reinforced steel case when in the locked position, providing added stability and resistance to abuse. Solid trim packages also provide deterrence to vandalism, making the 8800 series a prime player in your total opening security package.

For over 160 years, Yale Locks and Hardware has built a reputation on manufacturing products that exceed expectations of quality and reliability. The Yale 8800 series mortise lock is no exception, and to demonstrate that quality proves itself, we back it with a 10-year mechanical warranty.

We won't compromise, and neither should you.

8800

The Yale 8800 series mortise lock is an industry standard product. Suitable for installation on doors 1-3/4" to 3-1/4" thick with standard trims, these products have a 1" throw stainless steel deadbolt. The anti-friction one-piece latchbolt is stainless steel and has a 3/4" throw.

finishes

The Yale 8800 series mortise lock is available in the trim finishes as listed. All knobs, lever handles, roses, escutcheons, cylinder collars and other exposed parts are fabricated of either brass, bronze, stainless steel or zinc and will be compatible with the finish ordered. When ordering, specify the finish required by the ANSI/BHMA Code Number only. When locksets are ordered with different trim finishes on each side, specify the outside finish first, i.e. COR8817-2 x 612 x 625. The front and strike finish will match the inside finish unless specified otherwise.

camden escutcheon

8800 series locks with escutcheon trim are provided standard with the Camden (CN) escutcheon. This zinc die cast escutcheon features one-piece casting for superior strength. Locks with this escutcheon are ANSI/BHMA certified operational and security Grade 1 and will retrofit to existing Yale escutcheon preps. The aesthetics of the CN escutcheon provide a design continuum with Yale exit device trim for a consistent look throughout the facility.

windstorm

Certified (refer to local codes).



Hurricane

warranty

Yale 8800 series mechanical mortise locks carry a ten (10) year warranty and 8800 series electrified mortise locks carry a two (2) year warranty.

contents

- Introduction 2
- Finishes 2
- Features 3
- SL8800 4
- Facts and Figures 5
- Standard Lever Trim Installation 5
- Standard Lever Trim 6-9
- 8800RL Reflections® Trim 10-11
- Knob Trim 12-13
- Lockset Functions 14-23
- SecureX® Electrified 24-26
- SecureX® Electrified Accessories 27
- Cylinders 28-30
- Cylinder Collars 31-37
- Strikes 38
- Miscellaneous 39
- Occupancy Indicators 40
- How to Order 41
- Handing 42

| ANSI/BHMA Code | Finish Description |
|----------------|--|
| 605 | Bright Brass, Clear Coated |
| 606 | Satin Brass, Clear Coated |
| 609 | Satin Brass, Blackened, Satin Relieved, Clear Coated |
| 611 | Bright Bronze, Clear Coated |
| 612 | Satin Bronze, Clear Coated |
| 613 | Dark Oxidized Satin Bronze, Oil Rubbed ¹ |
| 613E | Dark Oxidized Satin Bronze - equivalent |
| 616 | Satin Bronze, Blackened, and Satin Relieved, Clear Coated |
| 618 | Bright Nickel Plated, Clear Coated |
| 619 | Satin Nickel Plated, Clear Coated |
| 620 | Satin Nickel Plated, Blackened, Satin Relieved, Clear Coated |
| 625 | Bright Chrome Plated |
| 626 | Satin Chrome Plated |
| 629 | Bright Stainless Steel |
| 630 | Satin Stainless Steel |
| 693 | Black Painted |
| 722 | Black Oxidized Bronze, Oil Rubbed ² |

1. New May 1, 2010
 2. Formerly 613 prior to May 1, 2010

Finish available with MicroShield® antimicrobial coating, additional finishes by special application. Consult factory for availability.

features

A.D.A.

The 8800FL meets accessibility guidelines of the Americans with Disabilities Act and the requirements of the Uniform Federal Accessibility standards and ANSI 117.1, all requiring ease of accessibility for the handicapped.

ANSI/BHMA

Certified ANSI/BHMA A156.13, Series 1000, Operational Grade 1 (8800FL with CN escutcheon & SL8800 meet Security Grade 1).



bevel front

Yale 8800 series fronts are free-floating to adjust from flat to the standard bevel of 1/8" in 2".

door thickness

8800 series mortise locks are supplied as standard for 1-3/4" thick doors. For other than standard, specify the door thickness on the order: (i.e. 2", 2-1/4", etc.)

installations

8800 series mortise locks conform to ANSI/BHMA Specifications A156.115 which cover hardware preparations for steel doors and steel frames and A156.115-W which cover hardware preparations for wood doors with wood or steel frames.

microshield®

8800 series locks are available with MicroShield® antimicrobial coating. *MicroShield* is a revolutionary hardware finish coating, using a silver ion based technology, which inhibits the growth of bacteria, algae, yeast, fungus, mold and mildew. *MicroShield* is non-toxic and lasts for the lifetime of the finish to which it is applied. To order, suffix option code "YMS".



Note: *MicroShield*® coating may vary finish color from architectural standards. *MicroShield* is not intended as a substitute for traditional infection control programs such as hand hygiene or use of disinfectants. Coated product must still be cleaned to insure the surfaces will be free of destructive microbes. Yale Locks & Hardware makes no representations or warranties, express or implied, as to the efficacy of the *MicroShield* antimicrobial.

ISO 9001

Designed and manufactured under a certified ISO 9001 quality system.

knurled designs

Where required by the local authority, trim can be knurled to be identifiable to the touch for blind persons. All knob designs except CA may be ordered knurled; all lever designs except designer trim and Reflections® trim (pages 9 & 11) may be ordered knurled.

Only the outside knob or lever will be knurled or abrasive coated unless specified otherwise. To order a complete lockset knurled or abrasive coated, suffix the lockset model number with "Knurled" or "Abrasive Coated," i.e. LF x CN8807 x "Knurled," LF x CN8817-2 x "Knurled Inside Only," AU x CN8828FL "Abrasive Coated."

lead shielding

All Yale 8800 series mortise locks are available with a lead shield for installation in lead-lined doors. To order, suffix the lockset model number with "lead-lined."

quick reversibility

Yale mortise locks with the same trim on both sides (knob x knob or lever x lever) are field reversible. These locks can be converted to accommodate the hand of the door. However, to reduce installation costs, it is recommended that the hand of the door be specified for each lockset ordered. If the hand of the door is not specified, RH will be furnished.

underwriters laboratories (UL - cUL)

Yale 8800 series mortise locks have been listed by Underwriters Laboratories Inc. for use on fire doors having a rating up to and including 3 hours and for use on 20 minute wood doors. This pertains to single swing doors not exceeding 4 feet in width and 8 feet in height and in doors mounted in pairs not exceeding 8 feet in either direction (unless otherwise noted in the individual listings.)

In general, single-point mortise locks or latches with 3/4" minimum latch throw are intended for the active leaf of doors mounted in pairs, with the inactive leaf provided with top and bottom flush or surface bolts of the manual, automatic, or self-latching type. The door Classification Marking specifies the minimum latch throw required for the individual door.

Yale 8800 series mortise locks with 3/4" throw latchbolts may also be used on single swing doors rated 1-1/2 hours or less, up to 4 feet in width and 9 feet in height. This is in addition to the rating mentioned above. All Yale 8800 Series Mortise Locks with Lever Handle Trim are UL listed for fire door applications. Underwriters Laboratories does not list locks with rabbeted fronts, locks with deadbolt only, or locks with hold-back feature on the latchbolt.

Note: Any retrofit or other field modification to a fire rated opening can potentially impact the fire rating of the opening, and Yale Locks & Hardware makes no representations or warranties concerning what such impact may be in any specific situation. When retrofitting any portion of an existing fire rated opening, or specifying and installing a new fire-rated opening, please consult with a code specialist or local code official (Authority Having Jurisdiction) to ensure compliance with all applicable codes and ratings.



standard lever trim

Arcadia - ARR

| | |
|--------------------------------|-----------------|
| AR Lever Handle ³ : | Cast |
| CO Rose ¹ : | Stamped |
| Cylinder Collar: | See pages 32-33 |

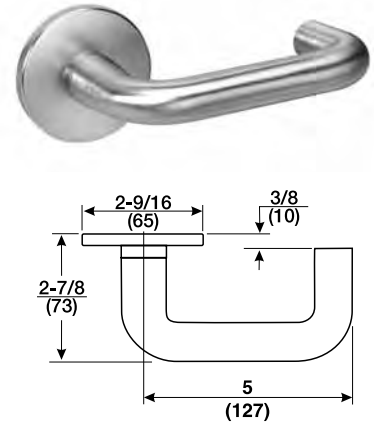
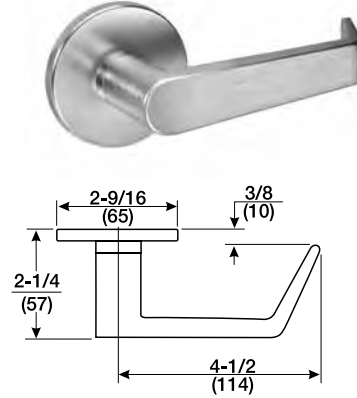
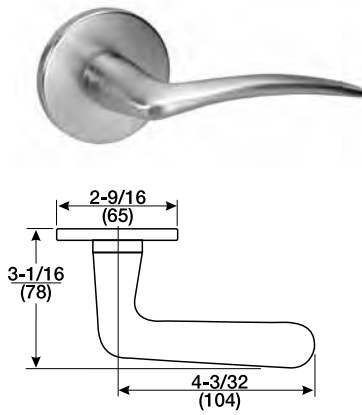
Augusta - AUR

| | |
|------------------------|-----------------|
| AU Lever Handle: | Cast |
| CO Rose ¹ : | Stamped |
| Cylinder Collar: | See pages 32-33 |

Carmel - CRR

| | |
|------------------------|-----------------|
| CR Lever Handle: | Cast |
| CO Rose ¹ : | Stamped |
| Cylinder Collar: | See pages 32-33 |

1. Available with Reflections® roses. See page 11 for options.



Arcadia - AR x CN

| | |
|--------------------------------|-----------------|
| AR Lever Handle ³ : | Cast |
| CN Escutcheon ² : | Cast |
| Cylinder Collar: | See pages 34-37 |

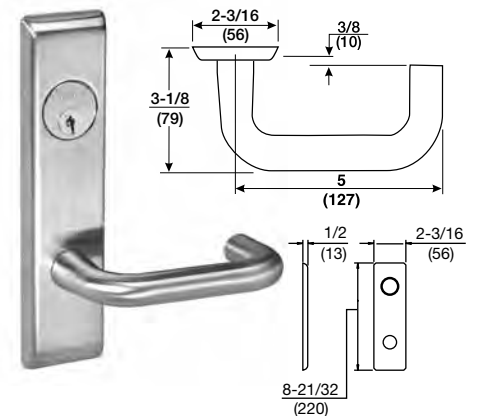
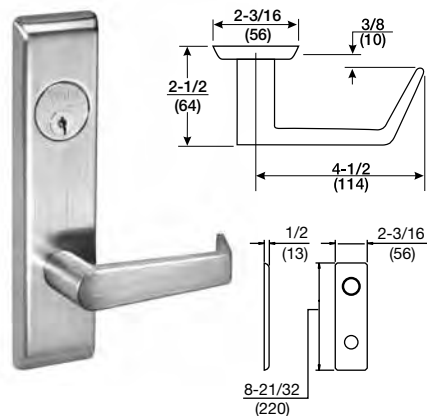
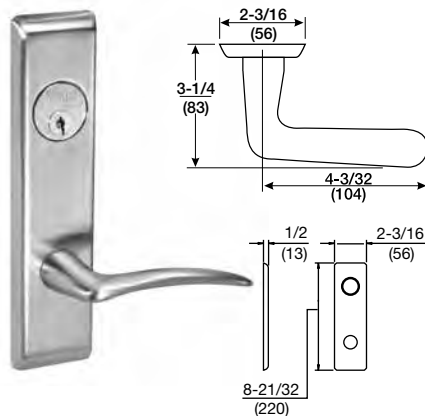
Augusta - AU x CN

| | |
|------------------------------|-----------------|
| AU Lever Handle: | Cast |
| CN Escutcheon ² : | Cast |
| Cylinder Collar: | See pages 34-37 |

Carmel - CR x CN

| | |
|------------------------------|-----------------|
| CR Lever Handle: | Cast |
| CN Escutcheon ² : | Cast |
| Cylinder Collar: | See pages 34-37 |

2. Available with Reflections® escutcheons. See page 11 for options.
3. Indicates levers that are handed.



standard lever trim

Jefferson - JNR

| | |
|------------------------|-----------------|
| JN Lever Handle: | Cast |
| CO Rose ¹ : | Stamped |
| Cylinder Collar: | See pages 32-33 |

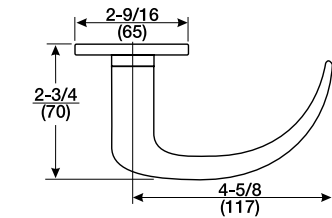
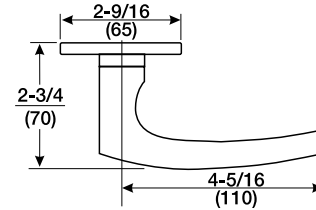
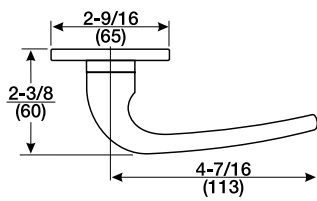
Monroe - MOR

| | |
|------------------------|-----------------|
| MO Lever Handle: | Cast |
| CO Rose ¹ : | Stamped |
| Cylinder Collar: | See pages 32-33 |

Pacific Beach - PBR

| | |
|------------------------|-----------------|
| PB Lever Handle: | Cast |
| CO Rose ¹ : | Stamped |
| Cylinder Collar: | See pages 32-33 |

1. Available with Reflections® roses. See page 11 for options.



Jefferson – JN x CN

| | |
|------------------------------|-----------------|
| JN Lever Handle: | Cast |
| CN Escutcheon ² : | Cast |
| Cylinder Collar: | See pages 34-37 |

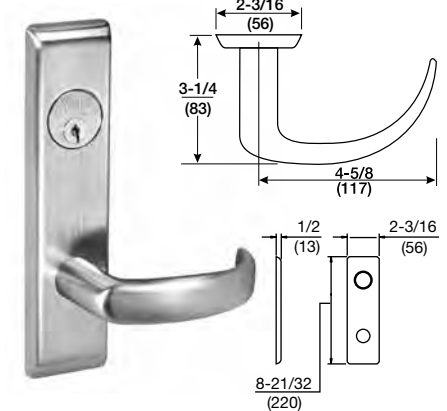
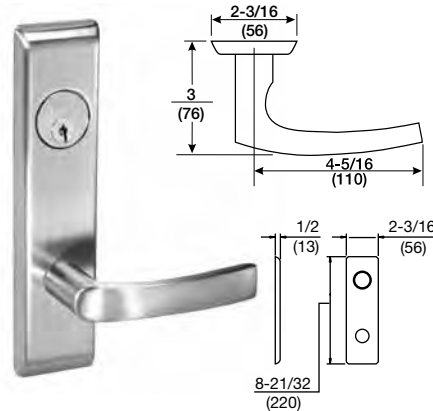
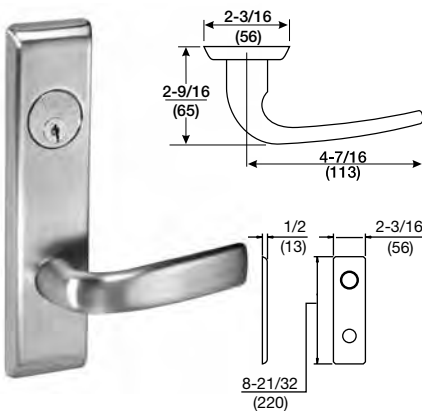
Monroe – MO x CN

| | |
|------------------------------|-----------------|
| MO Lever Handle: | Cast |
| CN Escutcheon ² : | Cast |
| Cylinder Collar: | See pages 34-37 |

Pacific Beach – PB x CN

| | |
|------------------------------|-----------------|
| PB Lever Handle: | Cast |
| CN Escutcheon ² : | Cast |
| Cylinder Collar: | See pages 34-37 |

2. Available with Reflections® escutcheons. See page 11 for options.





securex® electrified mortise lockset

applications

Stair tower doors, office doors, classrooms, interlocks, elevator lobby doors, laboratories, computer rooms, cashier stations, hospital equipment rooms and pharmaceutical storage rooms. For narrow frame profiles, consult factory.

trim designs

8800 electrified mortise locksets are available with all knob, lever, SL and Reflections® trims.

ANSI/BHMA

Certified ANSI/BHMA A156.13, Series 1000, Operational Grade 1 (8800FL with CN escutcheon & SL8800 meet Security Grade 1).



electrical specifications

Fail Safe/Fail Secure
Voltage: 12VDC or 24VDC Regulated
Current Draw:
.25A at 24VDC
.5A at 12VDC
Operating Temp.:
Max. 151°F (66°C)
Min. -31°F (-35°C)

All monitoring switches rated at:
2 Amp @ 30 VDC
3 Amp @ 125 VAC

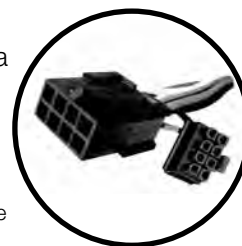
monitoring options

| Model Number | Description |
|--------------|--|
| REX | Request to Exit - An SPDT switch that monitors activation of the free lever (not available with knob trim). REX is available for all mechanical and electrified functions and can be supplied alone or with either LBM or DBM. |
| LBM | Latchbolt Monitor - An SPDT switch that monitors full retraction of the latchbolt. LBM is available for all electrified functions and can be supplied alone or with REX. |
| DBM | Deadbolt Monitor - An SPDT switch that monitors full retraction of the deadbolt. DBM is available for all mechanical and electrified functions with a deadbolt and can be supplied alone or with REX. |
| ITS | Integrated Total Security - Enhanced security reporting allows facility supervisors to tailor decisions with greater certainty. Monitoring includes Request to Exit (REX), Lock Performance Monitoring (LPM), Concealed Door Position Status (DPS) and Cylinder Monitoring (CX). This monitoring option is available with 8890FL/8891FL or 8890RL/8891RL functions only. Locksets ordered with ITS option must be provided with Yale cylinder. Not available less cylinder. Handing must be specified. |

electrolynx®



Yale® electrified 8800 locks are equipped with *ElectroLynx* connectors. As a standard feature, these connectors link power from the incoming source to electrified locking products, including hinges, locks, exit devices, magnetic holders and strikes.



Note: Electrified door hardware with *ElectroLynx* connectors require a compatible number of lead wires attached to the door hinge.

securex® functions and descriptions

fail safe

The following functions are locked when power is on and unlocked when power is off.

| Function | # of Cyls | Description | Armor Front Part Number | Cylinders* | | Cam(s) | Esc Plate Spacing Number | | Spindles | |
|----------|-----------|---|-------------------------|------------|--------|--------|--------------------------|--------|----------|--------|
| | | | | Outside | Inside | | Outside | Inside | Knobs | Levers |
| 8880 | 0 | <ul style="list-style-type: none"> • Power off – outside lever active • Power on – outside lever locked • Auxiliary latch deadlocks latchbolt • Inside lever always free • No key override | 50-8805-x219-FIN | N/A | N/A | N/A | 201 | 201 | 1178L | 1178L |
| 8884 | 0 | <ul style="list-style-type: none"> • Power off – both levers active • Power on – both levers locked • Auxiliary latch deadlocks latchbolt • No key override | 50-8805-x219-FIN | N/A | N/A | N/A | 201 | 201 | 1178L | 1178L |
| 8890 | 1 | <ul style="list-style-type: none"> • Power off – outside lever active • Power on – outside lever locked • Auxiliary latch deadlocks latchbolt • Inside lever always free • Mechanical key override by outside when locked | 50-8805-x219-FIN | 2153 | N/A | 2160 | 208 | 201 | 1178L | 1178L |
| 8894-2 | 2 | <ul style="list-style-type: none"> • Power off – both levers active • Power on – both levers locked • Auxiliary latch deadlocks latchbolt • Mechanical key override by both sides when locked | 50-8805-x219-FIN | 2153 | 2153 | 2160 | 208 | 208 | 1178L | 1178L |
| 8896 | 1 | <ul style="list-style-type: none"> • Power off – outside lever active (even when deadbolt thrown) • Power on – outside lever locked • Auxiliary latch deadlocks latchbolt • Deadbolt projected by key outside, thumbturn inside • Inside lever always free • Mechanical key override by outside when locked | 50-8820-x219-FIN | 2153 | N/A | 2160 | 208 | 211 | 1178L | 1178L |
| 8896-2 | 2 | <ul style="list-style-type: none"> • Power off – outside lever active (even when deadbolt thrown) • Power on – outside lever locked • Auxiliary latch deadlocks latchbolt • Deadbolt projected by key both sides • Inside lever always free • Mechanical key override by both sides when locked | 50-8820-x219-FIN | 2153 | 2153 | 2160 | 208 | 208 | 1178L | 1178L |
| 8898 | 1 | <ul style="list-style-type: none"> • Power off – both levers active (even when deadbolt thrown) • Power on – both levers locked • Auxiliary latch deadlocks latchbolt • Deadbolt projected by key outside, thumbturn inside • Mechanical key override by outside when locked | 50-8820-x219-FIN | 2153 | N/A | 2160 | 208 | 211 | 1178L | 1178L |
| 8898-2 | 2 | <ul style="list-style-type: none"> • Power off – both levers active (even when deadbolt thrown) • Power on – both levers locked • Auxiliary latch deadlocks latchbolt • Deadbolt projected by key both sides • Mechanical key override by both sides when locked | 50-8820-x219-FIN | 2153 | 2153 | 2160 | 208 | 208 | 1178L | 1178L |

*Standard cylinder and cam indicated. For optional cylinders, see pages 28-30.