

E-Plex® 5800 Specifications

E-Plex® 5800 Series (FIPS 201 Compatible PACS)



The E-Plex 5800 Physical Access Control System (PACS) is an electronic stand-alone locking system. The system captures cardholder data at enrollment and validates the Personal Identity Verification (PIV) authentication certificate to check that it is valid, has not been revoked, and was issued by a trusted source. The locks can authenticate PIV cards via the contactless interface at standard or high assurance levels to provide physical access control.

The E-Plex 5800 Locks and Stand-Alone Access Controllers (SAC) with reader and keypad can be programmed to work with either smart card-only or dual credential modes based on security requirements and programmed access schedules. Dual credential utilizes PIN, followed by presentation of smart card. If required, selected "Super Service" users can be programmed PIN only access. Optionally, the lock can be used with E-Plex FIPS software also, if desired.

- Complies to Federal Information Processing Standard, Publication 201 (FIPS 201)
- System supports all types of FIPS 201 compatible cards including: the Personal Identity Verification (PIV) cards used by U.S. federal government employees and contract workers, the First Responder Authentication Credential (FRAC) used by emergency service workers, Transportation Worker Identification Credential (TWIC) used by transportation workers, the new version of the Common Access Card (CAC) used by the Department of Defense and PIV Interoperable (PIV-I) Credentials
- In addition to supporting all FIPS 201 compliant ID cards, locks and controllers also support the DESFire® contactless smart cards for any valid users who have not been issued FIPS 201 cards—e.g., temporary users, visitors, etc.
- Incorporates "ActivIdentity Enabled" FIPS 201 High Assurance PKI-based enhanced credential validation
- Locks and controllers can be programmed right at their keypad to enroll and remove user credentials when in native LearnLok™ mode without any software

ACCESS CONTROL SYSTEM FEATURES

Access Credentials (2):
 Card only (PIV compatible or DESFire card)
 Dual credential—PIN followed by Card

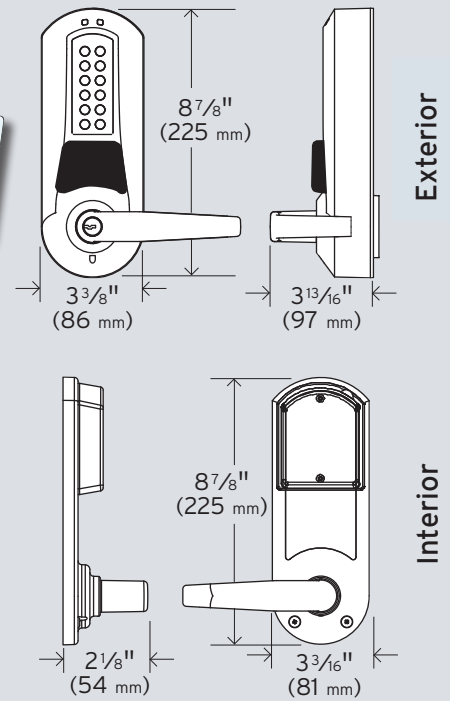
ID Card Enrolling Station:
 Card Reader/Enroller that supports both (ISO7816-4)
 Contact Interface and (ISO 14443 A/B) Contactless Interface

Lock Programming & Auditing Unit:
 Laptop/netbook with IrDA communications

Number of Users:
 300 in LearnLok mode; 3,000 with software

Audit Events:
 30,000 most recent events

Cylindrical Dimensions



Optional Features

- Remote Unlock
 - Knob
 - PC Software
 - 12-24 VDC Power Interface
 - High Capacity Battery Kit
- Additional options vary by model

FEATURES (CONTINUED)

Authority Levels:

Six different levels allow who has access to specific lock functions, includes:

- Master Level**—Performs all set-up and programming functions
- Manager Level**—Administers common programming functions
- Access User Level**—Entry granted with valid credential
- Service Level**—PIN or card for single event, or up to four-day access, or with no expiry
- Guest Level**—1-365 day durations
- Maintenance Level**—No access is granted, but information can be uploaded/downloaded to/from the lock

User Parameters:

- PIN length**—Adjustable to accept 4 to 8 digits
- Anti-tamper lockout**—Adjustable from 3 to 9 invalid attempts with an adjustable period of 0 to 90 seconds
- Relock time**—Adjustable from 2 to 20 seconds

Programmed Scheduling :

Up to 16 different access schedules per lock. Up to 32 different holiday/vacation blocks per lock

Passage ModeOptions (3):

- First manager or privileged-user in
- Automatic according to access schedules
- Manually toggled on/off at the lock keypad

System Software:

- Host application PC server with multiple workstations support using Thin Client interface over network (or same machine)
- SQL database with critical data components encrypted for highest security
- Validation of credential's digital certificate performed during card enrollment
- Uses periodic PKI-based validation of enrolled credentials incorporates "Actividentity Enabled" FIPS 201 High Assurance, PKI-based credential validation

LOCK FEATURES

Handing:

Non-handed, preassembled for left-hand door installations—easily changed in the field

Key Override:

Key-in-lever cylinders, small format interchangeable cores, large format removable cores

Lock Function Customization:

Locks are easily customized on site via keypad to work as various BHMA lock functions; eliminates the requirement to stock multiple locks to meet different applications. Built-in options include: Entry, Privacy, and Residence lock, (thumbturn required for Privacy and Residence functions)

Power:

E-Plex 5800—Locks have three power options:

- 1) Standard: Four AA batteries up to 60,000 cycles
- 2) Optional: High Capacity Battery Kit, four C cells up to 100,000 cycles
- 3) Optional: 12-24 VDC Power Interface from standard off-the-shelf power interface units

E-Plex 5870—Requires 12-24 VDC power input from standard, off-the-shelf power interface units. If power is lost, user data and lock parameters are retained in on-board memory

MECHANICAL FEATURES

Construction:

Extra heavy-duty solid cast housings, solid cast levers, cylindrical drive wear tested for extensive use in indoor and outdoor applications

Numeric Keypad:

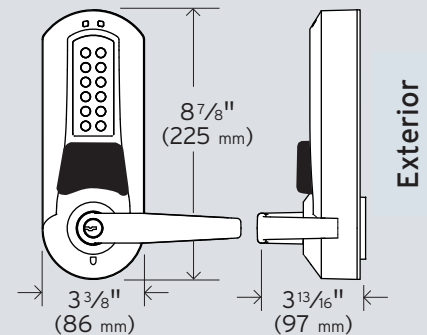
Vandal resistant, solid metal pushbuttons

Door Handing:

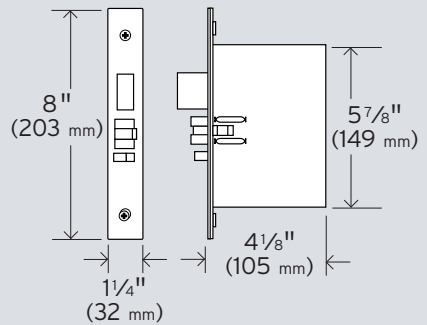
E-Plex 5800 Cylindrical and E-Plex Mortise—Non-handed, preassembled for left-hand door installations—easily changed in the field

E-Plex 5800 Exit Trim—Non-handed

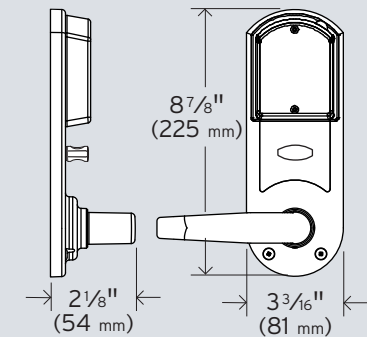
Mortise Dimensions



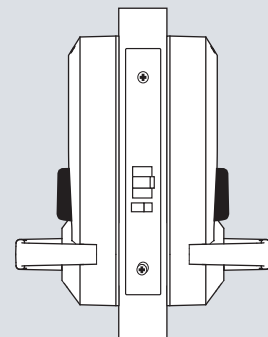
Exterior



Interior



Back-to-Back with Mortise also available



MECHANICAL FEATURES (CONTINUED)

Backsets:

- E-Plex 5800 Cylindrical**—2 3/4" (70 mm), 2 3/8" (60 mm)
- E-Plex 5800 Mortise**—2 3/4" (70 mm)
- E-Plex 5800 Exit Trim**—Varies by exit device type

Latch:

- E-Plex 5800 Cylindrical**—1/2" (13 mm) latch, 3/4" (19 mm latch (optional) with three-hour UL/ULC fire rating
- E-Plex 5800 Mortise**—3/4" (19 mm) latch, 1" (25 mm) deadbolt (optional)

Minimum Stile Recommended:

5" (127 mm)

Weight:

- E-Plex 5800 Cylindrical**—9.5 lbs. (4.30 kg)
- E-Plex 5800 Exit Trim**—9.5 lbs. (4.30 kg)
- E-Plex 5800 Mortise**—11.5 lbs. (5.20 kg)
- E-Plex 5870 SAC**—10 lbs. (4.54 kg)

KEY OVERRIDE

Universal Key-In-Lever Cylinders:

Includes Kaba 1599 6-pin cylinder (prepped to Kaba 90 Lever or Schlage "C" keyway, keyed different) and tailpieces for compatibility with:

Abloy 5277	Corbin Russwin 2000-03	Medeco 20W200H1
Abloy 5477	Kaba 1539	Sargent 10 Line
Arrow C100	Kaba 1599	Schlage 23-001
ASSA 65611	Kaba Gemini 4730	Schlage Primus 20-760
ASSA65691	Marks	

- Australian:** Kaba expert 107K5, Boyd KC286
- European:** Quattro S/Expert, AP2 (5 and 6-pin)

Interchangeable Cores:

Small format Best and equivalents (6 or 7-pin length)

Removable Cores:

Large format ASSA, Medeco, Yale (5 or 6-pin), Corbin Russwin, Schlage, and Sargent

INSTALLATION

Ease of Installation:

- E-Plex 5800**—Patented LectroBolt™ eliminates wiring to or through the door—reducing risk of lock failure due to pinched wires during installation
- E-Plex 5870**—Simple, easy-to-install reader unit is pre-drilled for single gang box or wall mounting. Lockable interface controller unit enclosure is predrilled and has knockouts for simple wiring with low voltage connections directly into off-the-shelf power interface units. Product also includes a contact closure, alarm shunt output to interface with new or existing fire alarms and security systems

Door Preparation:

- E-Plex 5800 Cylindrical and E-Plex 5800 Exit Trim**—ASA 161 (Easily installs on door preparation with two additional through bore holes (wood or metal doors)
- E-Plex 5800 Mortise**—ASA 86 door preparation with two additional through bore holes

Door Thickness:

- E-Plex 5800 Cylindrical**—1 3/8" (35 mm) to 2 1/4" (57 mm)
Preassembled to accommodate doors 1 5/8" (41 mm) to 2" (50 mm)
- E-Plex 5800 Mortise**—1 3/4" (44 mm) to 2 1/4" (57 mm)
Preassembled to accommodate doors 1 3/8" (41 mm) to 2" (50 mm)
- E-Plex 5800 Exit Trim**—1 3/4" (44 mm) to 2 1/4" (57 mm)
Preassembled to accommodate doors 1 3/4" (44 mm) to 2 1/2" (54 mm)

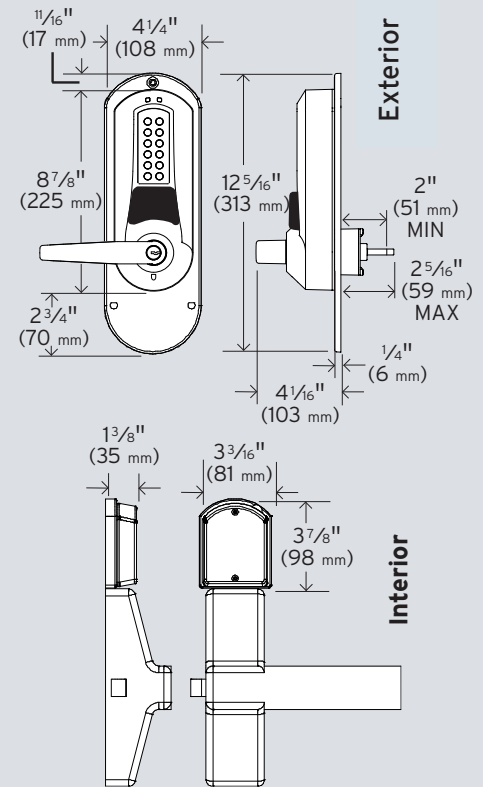
Items Supplied with Lock Include:

- E-Plex 5800 Cylindrical and E-Plex 5800 Mortise**—Lock assembly, installation manual, template, quick reference guide, operations manual, and required hardware
- E-Plex 5800 Exit Trim**—Lock assembly, installation manual, template, quick reference guide, operations manual, and required hardware. Exit Device and mounting hardware not included.

Additional Items Supplied with Key-in-Lever Cylinder Model Only:

- E-Plex 5800 Cylindrical and E-Plex 5800 Mortise**—Universal Kaba 1599 6-pin cylinder with tailpiece, four additional tailpieces, and two nickel silver keys
- E-Plex 5800 Exit Trim**—Universal Kaba 1599 6-pin cylinder with tailpiece, four additional tailpieces, nickel silver keys, and spare cylinder retainer

Exit Trim Dimensions

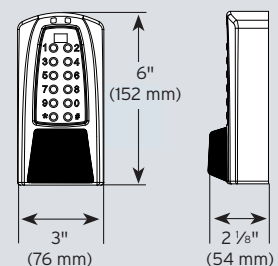


Exit Device Compatibility

Arrow S1250	Monarch 18R*, F18R*
Arrow S3883F/S3800	Precision 21/FL21
Black & Decker (K-2)	Sargent 2828
QED111/112	Sargent 3828
Cal Royal 9800	Sargent 8810E/8800
Cal Royal 2200	Sargent 8888
Corbin Russwin	Von Duprin 22/22F
ED5200/5200A	Von Duprin 98/98F
Detex 1001 BP1	Von Duprin 99/99F
Detex 10/F10 Series	Von Duprin XP98/99
Dorex 8500R/8500F	Yale YME2100/2100
Dorex 9500PR/9500FR	Yale 7100
Dorma 9300/F9300	

*(requires special K-Hub Adapter)

E-Plex 5870 Stand-Alone Access Controller Dimensions



CERTIFICATION AND TESTING

ISO Standards:

14443A–Read Only, FIPS 201 Compliant Credentials, DESFire
 14443B–Read Only, FIPS 201 Compliant Credentials

US Government:

GSA APL (Approved Product List)–FIPS 201 FICAM Reader (contactless)
 GSA Listing Schedule 70 (SIN 132-62), or Schedule 84 (SIN 246-35)

Accessibility Standard:

Americans with Disabilities Act (ADA)

Durability:

E-Plex 5800 Cylindrical–ANSI/BHMA A156.25, Grade 1 Certification
E-Plex 5800 Mortise–ANSI/BHMA A156.13, Grade 1 Certification
E-Plex 5800 Exit Trim–ANSI/BHMA A156.3, Grade 1 Certification

Fire Rating:

Three-hour UL/ULC fire door rating for "A" labeled doors

Environmental:

Indoor/Outdoor Approved
 Front Housing: -31 °F (-35 °C) to + 151 °F (66 °C)
 Rear Housing: -31 °F (-35 °C) to + 130 °F (55 °C)

Vandal Resistance:

E-Plex 5870 Controller–Exclusive tamper-switch circuitry in reader housing prevents unauthorized access if unit is attacked or removed from mounting plate. If tamper is detected, the reader unit emits constant bright blue lights and all internal wires other than power are passive until unit is reset. Once reader unit is reinstalled and/or remotely reset, credential access is restored.

AVAILABLE FINISHES

Standard Finishes:

Satin Chrome 26D (626) housings & levers
 Black (676) housings with Satin Chrome (626) levers and accents

Optional Finishes:

Bright Brass 03 (605) housings and levers
 Satin Brass 04 (606) housings and levers
 Bright Chrome 026 (625) housings and levers
 Dark Bronze (744-simulates 10B/613) housings and levers with Satin Brass (606) pushbuttons

IMPORTANT NOTICE

Kaba's E-Plex 5800 series Stand-Alone Electronic Locks and Controllers (SACs) have been approved by a certified GSA lab to meet FIPS 201 product standards. However, we cannot guarantee that all cards claiming to meet FIPS 201 will work with our products, as we have observed some cards that have been issued that do not meet FIPS 201 specifications. This may be due to a card manufacturing defect, third party customization of the card, or damage done once the card was in circulation. It is the responsibility of the end-user Agency or Company to validate and verify that the specific credentials intended to be used with Kaba's E5800 series Locks and Controllers are interoperable with our product. Our product warranty does not cover any replacement product or other costs due to specific cards not working with the E-Plex 5800 series products.

Standard Finishes

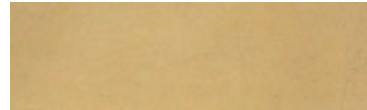


Satin Chrome

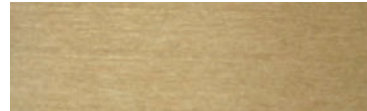


Black

Optional Finishes



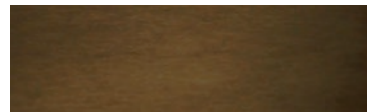
Bright Brass



Satin Brass



Bright Chrome



Dark Bronze

Disclaimer: While reasonable efforts were made to ensure the accuracy of this document at the time of printing, Kaba assumes no liability for any errors or omissions. This information is subject to be revised without notice, and changes may be incorporated in future releases

Copyright © 2014 Kaba Access & Data Systems Americas. All rights reserved.

KAA1121 0214

Kaba Access & Data Systems Americas

2941 Indiana Avenue
 Winston-Salem, NC 27105
 Tel: 1-800-849-8324

www.kaba-adsamericas.com