

Features

ML20900 ECL & ML20600NAC

Features

Handing

Handed; quick reversible. The lockset can be re-handed without disassembling the lockcase.

Door Thickness

1-3/4" (44mm) standard. Optional door thicknesses available; see Quick Codes, page 70.

Backset

2-3/4" (70mm).

Lockcase

Heavy-gauge steel, 5-7/8" (149mm) x 4" (102mm) x 15/16" (24mm).

Front

Heavy gauge steel, 8" (203mm) x 1-1/4" (32mm) x 3/32" (2mm). Accommodates flat doors and doors beveled 1/8" (3mm) in 2" (51mm).

Armored Front

Wrought brass, bronze or stainless steel attached by machine screws to lockcase front.



Latchbolt

2-piece mechanical anti-friction insert, 5/8" (16mm) x 1" (25mm) x 3/4" (19mm) throw.

Auxiliary Latchbolt

9/16" (14mm) effective throw and 3/8" (10mm) effective auxiliary latch deadlocking.

Hub

- Knob: stainless steel, 9/32" (7mm) x 9/32" (7mm).
- Lever: steel, 5/16" (8mm). (Including )
-  3/8" (10mm) stainless steel.

Spacing

C. to c. knob/lever to cylinder: 3-5/8" (92mm)

C. to c. knob/lever to thumbturn: 2-7/16" (62mm).

Strike

Wrought brass, bronze or stainless steel ANSI straight lip standard, 4-7/8" (124mm) x 1-1/4" (32mm) x 1-1/8" (29mm) lip to center. Optional strikes, lip lengths and ANSI wrought strike box available; see Quick Codes, page 70.

Trim

Available with all ML2000 Series trim designs including the Vineyard™ Collection and the Muséo® Collection. See pages 40-57.

Cylinder

Brass, 6-pin, L4 keyway, 0-bitted standard. Optional cylinders available; see Quick Codes, page 69.

Keys

Two nickel silver standard.

Warranty

Ten-year limited warranty on ML2000 mortise lockset. Two-year limited warranty on electronic components.

Electrical Specifications (Fail Safe/Fail Secure)

12/24VDC @ 15mA Continuous
12/24VDC Peak current draw = .5A
(Maximum of 2 locks per 1A Power Supply)

Monitor Switch Rating: 2 amp @ 24VDC
Note: Operating voltage not to exceed +/- 10%.

See Quick Codes, page 71.

Monitor Options - ML20900 ECL Only

M91 - Latchbolt Monitor

Latchbolt monitoring is a SPDT switch which monitors the full extension of the main latch.

M92 - Request to Exit Monitor

Request to Exit monitoring is a SPDT switch which monitors the activation of the trim. (Both levers activate switch)

M105 - Security Monitor

Security Monitor is two switches in series that monitors lock status (locked or unlocked) and Auxiliary Latch position.

Note: Monitoring options may only be ordered together as follows: M91xM92, M92xM105.

Monitor Options - ML20600 NAC only

Internal End-of-Line Monitoring

Monitors the line from the access control panel to the lock, eliminating the risk of undetected tampering or damage.

PHR - Deadbolt Privacy Function

Engaging deadbolt disables remote access control unlocking (keypad or card reader) or scheduled unlock.

Certification/Compliance

ANSI/BHMA

Certified A156.13 Series 1000, operational and security Grade 1. Meets A117.1 Accessibility Code.



Federal

Meets FF-H-106C.

UL/cUL

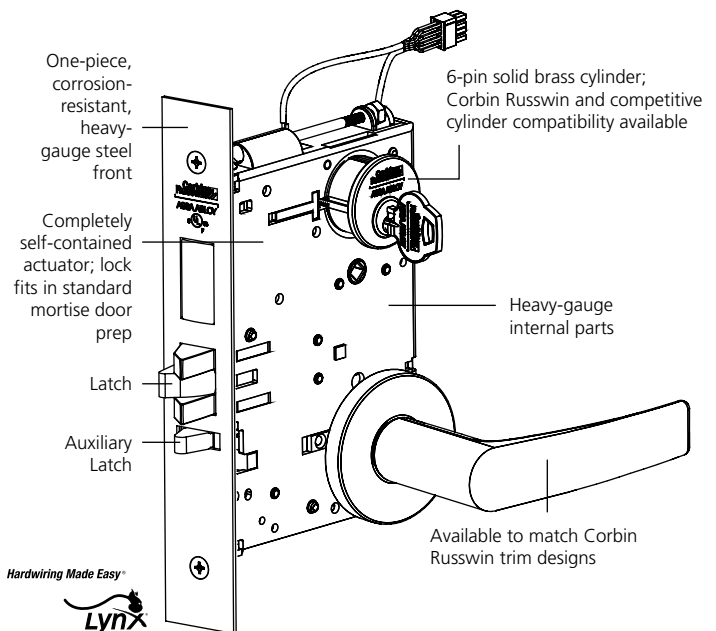
All locks listed for A label and lesser class doors, 4' x 10' single or 8' x 10' pair. Letter F and UL symbol on armored front indicate listing. Meets requirements of UL1034.

Any retrofit or other field modification to a fire rated opening can potentially impact the fire rating of the opening, and Corbin Russwin, Inc. makes no representations or warranties concerning what such impact may be in any specific situation. When retrofitting any portion of an existing fire-rated opening, or specifying and installing a new fire-rated opening, please consult with a code specialist or local code official (Authority Having Jurisdiction) to ensure compliance with all applicable codes and ratings.

California State Reference Code

(Formerly Title 19, California State Fire Marshal Standard)

All levers with returns comply; levers return to within 1/2" of door face.



ML20900 ECL Series Electrified Mortise Lockset

Simplicity

Combine simplicity and access control with the Corbin Russwin ML20900 ECL series electrically controlled mortise lock. Utilizing the proven ML2000 Series mortise lockset with the patented quick reversible latchbolt, the ML20900 series provides remote locking and unlocking. The electrified lock can be installed in a standard mortise prep with slight modification by door manufacturer. The ML20900 ECL is ideal for use where increased security is necessary at all times, such as tenant space, pharmacies, computer rooms, and high security areas.

Security

In applications where increased security is required, look no further than the ML2000VR Vandal Resistant Trim. This cast stainless steel trim features tapered edges, double through bolts, torx-pin tamper resistant screws and the lever remains attached to the escutcheon when the spindle is broken.

Aesthetics

Access control doesn't mean a loss of visual appeal. The Vineyard™ Collection and the Muséo® Collection feature beautifully designed levers, perfect for high-profile applications where pleasing aesthetics is a must.

Additional Features

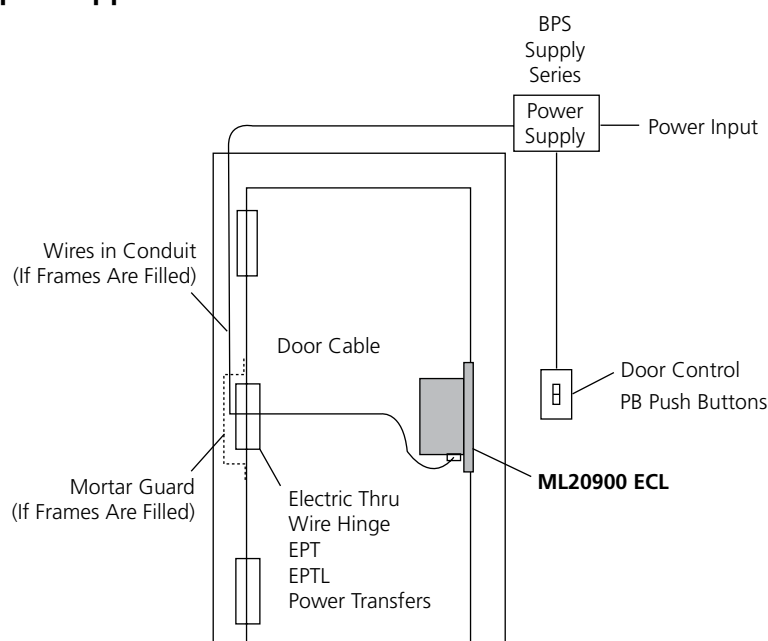
- Mechanical key override
- Patented Quick Reversible latchbolt, Patent # 6,349,982

Featuring EcoFlex™ Technology*:

- Reduces energy consumption up to 96%, as certified by GreenCircle
 - Lower operating costs
 - Assists with load reduction in optimizing energy performance credit in LEED
 - Reduces number of power supplies required
- Field configurable to fail-safe or fail-secure
- Operates from 12-24VDC, offering greater flexibility in system design
- Innovative actuator design provides superior reliability
 - Higher performance and reduced maintenance
 - Ability to have longer cable runs without negatively impacting lock function
 - Reduces risk of voltage drops and eliminates inductive kickback
 - Lower total cost of ownership

* Patent Pending

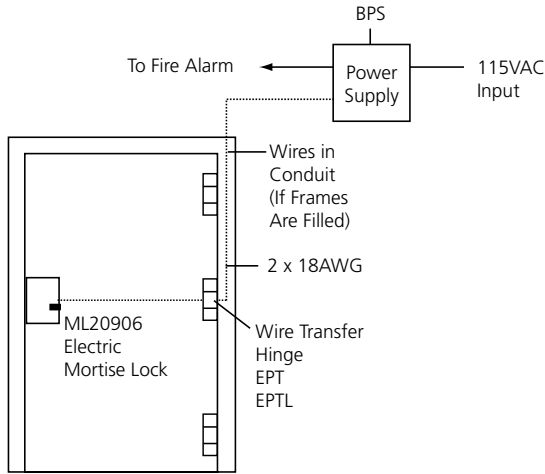
Typical Application



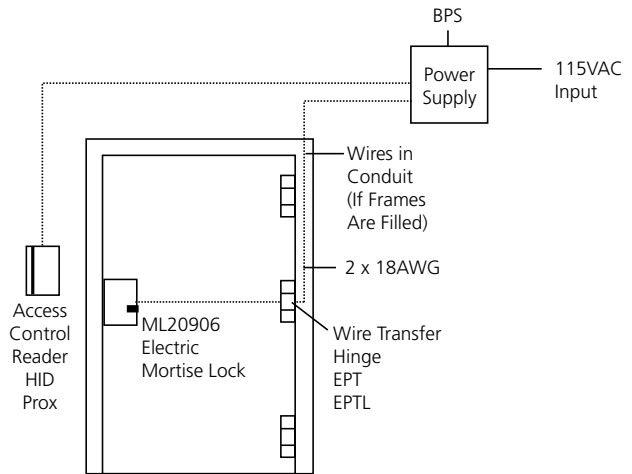
Typical System Components (For Reference Only)

ML20900 ECL

Tower Stairwell



Access Control on Employee Entrance



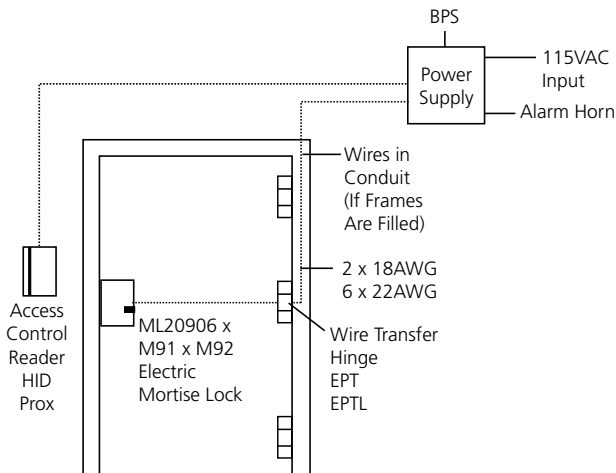
Operation:

Free egress at all times. Door is locked at all times preventing entry from the stairwell to a floor. Fire alarm activation will allow re-entry from the stairwell to the floor. Power failure will allow re-entry from the stairwell to the floor.

Operation:

Free egress at all times. Door is locked at all times preventing unauthorized entry. Authorized entry is permitted by presenting a valid user card.

Controlled Entry With Alarm



Operation:

Free egress at all times. User exits through the door which triggers the M92 switch which shunts the alarm. Door is locked at all times preventing unauthorized entry. Authorized entry is permitted by presenting a valid user card. Forced entry will trigger M91 switch and activate alarm. Alarm is deactivated by a valid user card.

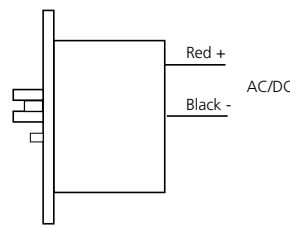


ElectroLynx®, a system of universal Molex® plug-in connectors and standardized color-coded wiring, makes installing electrified doorway components a snap!

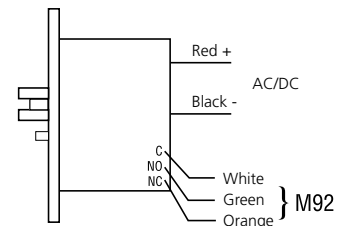


Lock Schematics

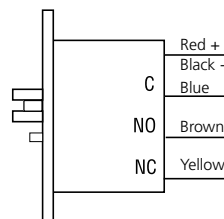
Power Leads



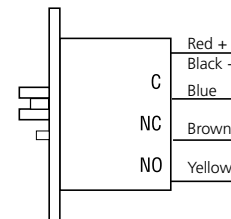
Power Leads x M92 (Request to Exit)



Power Leads x M91 (Latchbolt Monitor)



Power Leads x M105 (Security Monitor)



Consult factory for electrical system layouts, riser and wiring diagrams.

Fail Safe

The following functions are unlocked when power is off and locked when the power is on.

Outside	Inside	Series/Function	Description
		ML20907 x SAF VR HS	<ul style="list-style-type: none"> Latchbolt by grip either side, unless outside grip is locked by energizing lock. Inside grip always free. Auxiliary latch deadlocks latchbolt.
		ML20915 x SAF VR HS	<ul style="list-style-type: none"> Latchbolt by grip either side, unless both grips are locked by energizing lock. Auxiliary latch deadlocks latchbolt.
		ML20914 x SAF VR HS	<ul style="list-style-type: none"> Latchbolt by grip either side, unless both grips are locked by energizing lock. Latchbolt by key outside when lock is energized. Auxiliary latch deadlocks latchbolt.
		ML20932 x SAF VR HS	<ul style="list-style-type: none"> Latchbolt by grip either side, unless both grips are locked by energizing lock. Latchbolt by key inside or outside when lock is energized. Auxiliary latch deadlocks latchbolt.
		ML20906 x SAF VR HS	<ul style="list-style-type: none"> Latchbolt by grip either side, unless outside grip is locked by energizing lock. Latchbolt by key outside when lock is energized. Inside grip always free. Auxiliary latch deadlocks latchbolt.

Fail Secure

The following functions are locked when power is off and unlocked when the power is on.

Outside	Inside	Series/Function	Description
		ML20907 x SEC VR HS	<ul style="list-style-type: none"> Latchbolt by grip either side only when lock is energized. Outside grip locked when lock is not energized. Inside grip always free. Auxiliary latch deadlocks latchbolt.
		ML20915 x SEC VR HS	<ul style="list-style-type: none"> Latchbolt by grip either side only when lock is energized. Both grips locked when lock is not energized. Auxiliary latch deadlocks latchbolt.
		ML20914 x SEC VR HS	<ul style="list-style-type: none"> Latchbolt by grip either side only when lock is energized. Both grips locked when lock is not energized. Latchbolt by key outside when lock is not energized. Auxiliary latch deadlocks latchbolt.
		ML20932 x SEC VR HS	<ul style="list-style-type: none"> Latchbolt by grip either side only when lock is energized. Both grips locked when lock is not energized. Latchbolt by key inside or outside when lock is not energized. Auxiliary latch deadlocks latchbolt.
		ML20906 x SEC VR HS	<ul style="list-style-type: none"> Latchbolt by grip either side only when lock is energized. Outside grip locked when lock is not energized. Latchbolt by key outside when lock is not energized. Inside grip always free. Auxiliary latch deadlocks latchbolt.

HS Indicates function availability in ML2000HS.

VR Indicates function available in Vandal Resistant Trim.

Trim Designs

ML2000 Series, ML20900 ECL and ML20600 NAC



Lustra

Complies with codes requiring lever to return to within 1/2" (13mm) of door face. Brass, bronze or stainless steel.



LWA

Lever: Wrought
Rose: Wrought

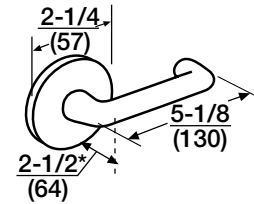
LWB

Lever: Wrought
Rose: Cast



LSA

Lever: Cast
Rose: Wrought



LSB

Lever: Cast
Rose: Cast

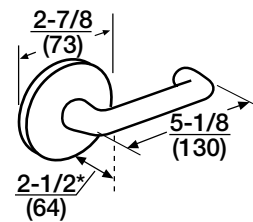
LWF

Lever: Wrought
Rose: Cast



LSF

Lever: Cast
Rose: Cast



Dimensions:

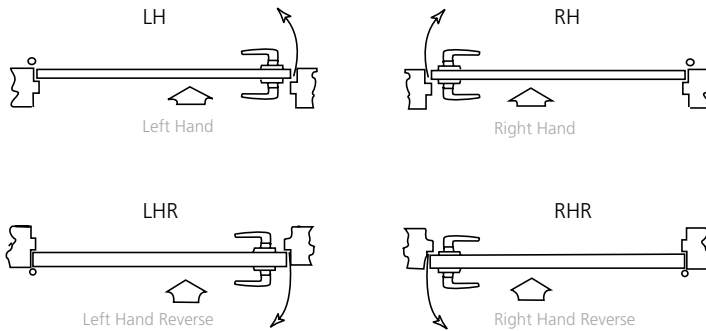
inches
millimeters

*Dimension from face of door, not surface of rose or escutcheon.

How to Order

ML2000 Series

Ordering Examples - ML2000 Series



Note: Arrow indicates secure side of door.

Where to find ordering information and Quick Codes

ML2000 Series/Function	5-9
ML20900 ECL Series/Function	13
Trim Designs	14-54
Cylinder and Keying	69
Finish	69
Strikes	70
Miscellaneous Options	70
Door Thickness	70
Handing	71

Stock Order

Quantity	Series/Function	Trim	Finish	Hand
100	ML2055	LWA	626	RHR
50	ML2055HS	SST	626	LHR

Split Trim / Finish Order

Quantity	Series/Function	Trim		Finish		Hand
		Outside	Inside	Outside	Inside	
12	ML2055	LWA	GRC	626	625	RHR
6	ML2055HS	SST	—	626	606	LHR
12	ML2055	ZSL	—	626	625	RHR
24	ML2051	MSG	—	605	625	LH
12	ML2055	102U	—	626	606	RHR
24	ML2051	122R	110R	605	625	LH

Contract / Detailed Order

Quantity	Keyset	Series/Function	Trim	Finish	Hand	Door Thickness	Optional Strike	Misc. Options	Optional Cylinder	Keying
24	AA1	ML2055	LWA	626	RHR	D214	SA200	M17-M26	C7	VKC3
12	AA1	ML2055HS	SST	626	LHR	D214	SS200	M07	C6	VKC1
6	AA1	ML2055VR	NSV	630	RH	D214	SS114	M17	PCHS	VKC1

Working Trim Only

Quantity	Function Only	Trim	Finish	Hand	Door Thickness	Misc. Options
6	ML2055	LWA	626	RHR	D214	M31
3	ML2055HS	SST	626	LHR	D214	M31
1	ML2055VR	NSV	630	RH	D214	M31

(Includes grip and spindle, rose or escutcheon, thumbturn lever, emergency key plate, adapters and screws)

Quick Codes

ML2000 Series, ML20900 ECL and ML20600 NAC

Cylinder and Keying

Description	Specify
Conventional 6-pin ^(HS) _(VR)	(standard)
Conventional 7-pin ^(HS) _(VR)	7P
Less cylinder(s) ^(HS) _(VR)	LC
IC 6-pin ^(HS) _(VR)	C6
IC 6-pin with temporary construction core ^(HS) _(VR)	
Red	CT6R
Blue	CT6B
Green	CT6G
IC 6-pin less core ^(HS) _(VR)	CL6
SFIC 6-pin with SFIC disposable temporary core ¹ ^(HS) _(VR)	CT6SD
SFIC 6-pin with Less Core ¹ ^(HS) _(VR)	CLS6
IC 7-pin ^(HS) _(VR)	C7
IC 7-pin with temporary construction core ^(HS) _(VR)	
Red	CT7R
Blue	CT7B
Green	CT7G
IC 7-pin less core ^(HS) _(VR)	CL7
SFIC 7-pin with SFIC disposable temporary core ¹ ^(HS) _(VR)	CT7SD
SFIC 7-pin with Less Core ¹ ^(HS) _(VR)	CLS7
Security ^(HS) _(VR)	HS
Security IC ^(HS) _(VR)	CHS
Access 3 - Patented ^(HS) _(VR)	AP
Access 3 - Security ^(HS) _(VR)	AS
Access 3 - High Security ^(HS) _(VR)	AHS
Access 3 IC - Patented ^(HS) _(VR)	ACP
Access 3 IC - Security ^(HS) _(VR)	ACS
Access 3 IC - High Security ^(HS) _(VR)	ACHS
UL IC 6-Pin Housing Less Core	CL6AH
UL IC 6-Pin Housing with Disposable Core	CTAHD
UL IC 6-Pin Housing with (Red/Blue/Green) Temporary Construction Core	CT6AH(R/B/G)
Pyramid High Security Fixed Core ^(HS) _(VR)	PHS
Pyramid High Security IC ^(HS) _(VR)	PCHS
Pyramid IC Less Core ^(HS) _(VR)	CLP
Pyramid with temporary ^(HS) _(VR) construction core	CTP
Pyramid Security ^(HS) _(VR)	PS
Pyramid Security IC ^(HS) _(VR)	PCS
Pyramid Disposable Core ^(HS) _(VR)	CTPD
6-Pin Disposable Core ^(HS) _(VR)	CT6D
7-Pin Disposable Core ^(HS) _(VR)	CT7D
Master ring ² ^(HS) _(VR)	MR
Blockout function cylinder ^(HS) _(VR)	BO
Flex head cylinder, 6-pin (sectional trim)	FX6
Flex head cylinder, 7-pin (sectional trim)	FX7
Flex head cylinder, master ring ² (sectional trim)	FXM
Plug only to show, 6-pin (concealed shell; M and R escutcheons only, single cylinder only)	PO6
Plug only to show, 7-pin (concealed shell; M and R escutcheons only, single cylinder only)	PO7
Plug only, less cylinder	PO-LC

^(HS) Indicates cylinder is available with ML2000HS lockset

^(VR) Indicates availability with ML2000VR lockset

ML2000.76

Description	Specify
Keyed random ^(HS) _(VR)	KR
Construction master keyed (not available for Pyramid) ^(HS) _(VR)	CMK
Visual key control ^(HS) _(VR)	
- No keying data stamped on key or cylinder	VKC0
- Keys only	VKC1
- Cylinders and keys (not for HS, CHS, PHS, PCHS, AS, ACS, AHS, or ACHS)	VKC2
- Cylinders only (not for HS, CHS, PHS, PCHS, AP, ACP, AS, ACS, AHS or ACHS)	VKC3
Concealed key control (CKC) ^(HS) _(VR)	
- CKC cylinders with VKC keys	CKC2
- CKC cylinders only (not for HS, CHS, PHS, PCHS, AP, ACP, AS, ACS, AHS or ACHS)	CKC3
2 keys per lock	(standard)
More than 2 keys	KY# (e.g., KY6)

1. Not available with ML2029.

2. Not available for ML2017, ML2029, ML2000HS or ML2000VR.

Finishes

ANSI/BHMA 605 (US3)	^(HS)	Bright Brass
ANSI/BHMA 606 (US4)	^(HS)	Satin Brass
ANSI/BHMA 611 (US9)	^(HS)	Bright Bronze
ANSI/BHMA 612 (US10)	^(HS)	Satin Bronze
ANSI/BHMA 613 (US10B)	^(HS)	Oxidized Bronze, oil rubbed
613E (US10BE)		Dark Oxidized Satin Bronze - Equivalent
613L		Dark Oxidized Satin Bronze, Clear Coated
ANSI/BHMA 618 (US14)		Bright Nickel Plated
ANSI/BHMA 619 (US15)	^(HS)	Satin Nickel Plated
ANSI/BHMA 625 (US26)	^(HS)	Bright Chromium Plated
ANSI/BHMA 626 (US26D)		Satin Chromium Plated
626C		Satin Chromium Plated with MicroShield®
ANSI/BHMA 629 (US32)	^(HS)	Bright Stainless Steel
ANSI/BHMA 630 (US32D)	^(HS) _(VR)	Satin Stainless Steel
630C		Satin Stainless Steel with MicroShield®
722		Black Oxidized Bronze, oil rubbed