

## //DATASHEET

### SALTO AElement | networked electronic locking systems:

XS4 is the new access control platform from SALTO enabling users to control and manage a greater range of applications than ever before. Smart, secure and innovative, XS4 electronic handle sets need no hard wiring and provide a truly wire-free networked electronic locking solution with a great range of features.

**AELEMENT**  
AExxx

**SALTO**  
inspired**access**



**A E L E M E N T**

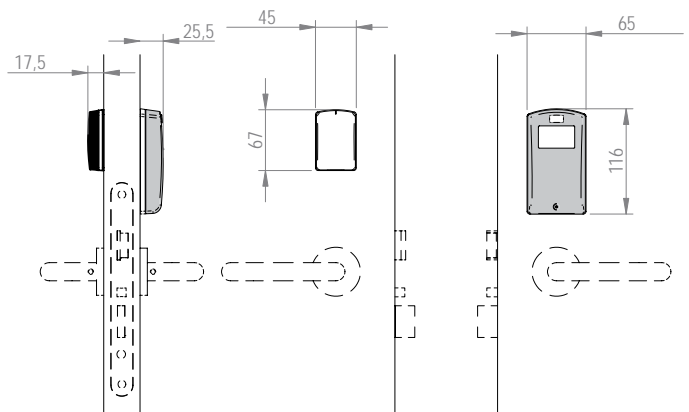
by SALTO

## NETWORKED ELECTRONIC LOCK WITH WIRELESS DNA AELEMENT FOR EUROPEAN MORTISE LOCKS

AElement is an RFID lock that allows you to integrate all your physical security needs into one stylish, energy efficient, reliable, wire-free system. The minimalistic design of its RFID reader looks chic and discreet on any door, and it is available in two contemporary colours - Pearl Black and Ice White. It can also be combined with a wide range of designer handles.\*

### AEXX: AELEMENT FOR EUROPEAN PROFILE DOORS

### AEXX: AELEMENT FOR EUROPEAN PROFILE DOORS



### MAIN FEATURES:

- Handle block mechanism lock.
- To be used only with SALTO LE7E mortise locks series.
- ID technologies available: Mifare, DESfire and Mifare Ultralight C.
- Reader body made using double layered injection construction.
- Reader dimensions: 67mm x 45mm x 17mm.
- Battery pack dimensions (inside): 116mm x 65mm x 25.5mm.
- Electronic privacy system, by pressing a button on the battery holder the user can activate the "do not disturb" function.
- Inside always allows free egress (anti panic in combination with lock).
- Compatible with European DIN 18250 mortise lock retrofit.
- SALTO square spindles available: 8 mm split and 9 mm split.
- Clear dual colour LED light (green/red) to indicate lock authorisation.
- Wire-free stand alone networked system through SVN technology.
- Wireless ready lock that can be upgraded to wireless online.
- Electronic privacy function option through button on the inside.
- DDA (Disability Discrimination Act) compliant (depending on handle type).
- E160 compliant.

### MECHANICAL FEATURES:

- Dimensions: 67mm x 45mm x 17,5mm.
- Dimensions (interior): 116mm x 65mm x 25,5mm.
- Handle rotation: 33°
- Handle mechanism block.
- Inside always allows free egress (anti panic in combination with lock).

### AVAILABLE LOCK MODES:

- **STANDARD:** Locked at all times.
- **AUTOMATIC OPENING:** 8 pairs of "hands free" timed lock and unlocks per day with holidays.
- **TOGGLE:** Present card to unlock, present card to lock.
- **TIME TOGGLE:** present card to lock, present card to unlock depending on schedules.



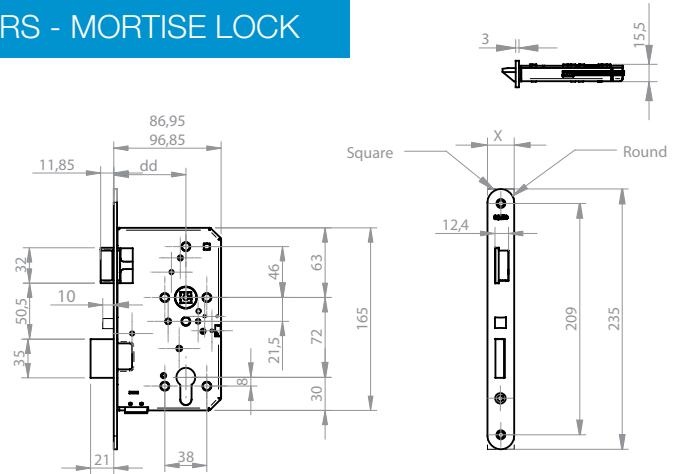
\* Consult SALTO

## AEXX: AELEMENT FOR EUROPEAN PROFILE DOORS

### ELECTRONIC MAIN FEATURES AND BENEFITS:

- Wire-free stand alone networked system through SVN technology.\*
  - Locks are connected to the system through the SALTO Virtual Network, improving the security and efficiency of the system.
  - Nonvolatile memory (it is not deleted, even without power).
  - Electronic privacy option through a push button on the inside. This blocks all the carriers from operating the lock, except management master keys, which will always override this privacy mode to gain entry in cases of emergency.
  - The lock is equipped with a low consumption real time clock function.
  - Dual colour LED (green/red) to indicate lock authorisation.
  - Special blink and beep indication when lock is in privacy mode.
  - Ability to enable/disable the acoustic signal.
  - Power supply: 3 alkaline batteries LR03 AAA 1,5V. optional lithium batteries FR03.
  - Battery autonomy up to 50,000 openings.
- \*depending on the model

### AEXX: AELEMENT FOR EUROPEAN PROFILE DOORS - MORTISE LOCK



### MAIN FEATURES:

- Mortise Lock features - DIN 18250
- Axe distance 72 mm.
- Lock latched deadbolt made of steel.
- Automatic deadbolt projection lock.
- Handle rotation: 33°.
- Handle mechanism block.
- Inside always allows free egress (anti panic in combination with lock).
- Front plate 20, 24 mm.
- Front plate shape: square or round.
- Backset 55 mm - 65 mm.
- Handed lock - L/R - not reversible.

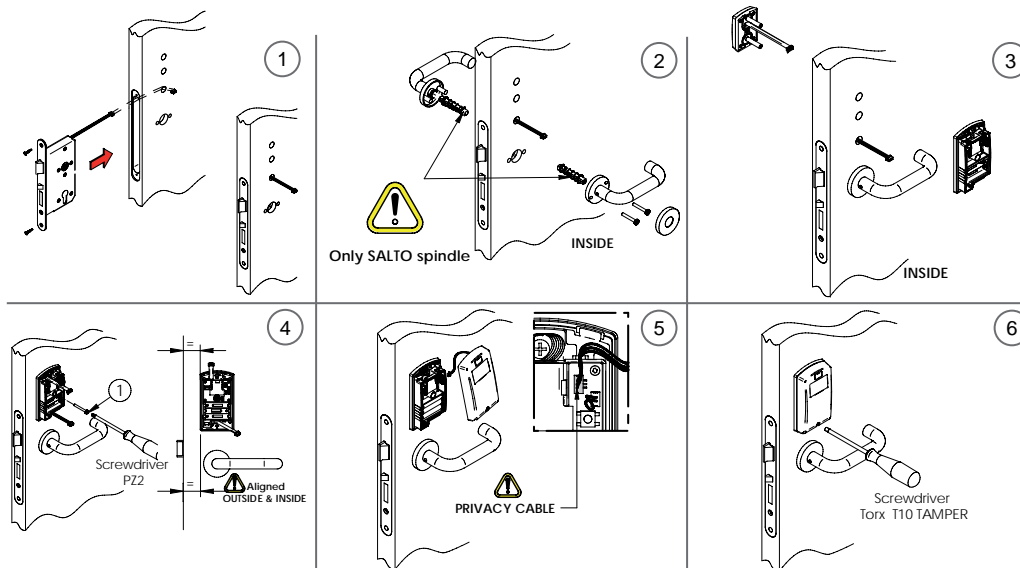
### MECHANICAL FEATURES:

- Dimensions: 86,95mm x 165mm.
- Available in satin stainless steel finish or gold enamelled finish.
- Handle mechanism block.
- Inside always allows free egress (anti panic in combination with lock).

### SQUARE SPINDLE:

- 8mm split and 9mm split.

### INSTALLATION:

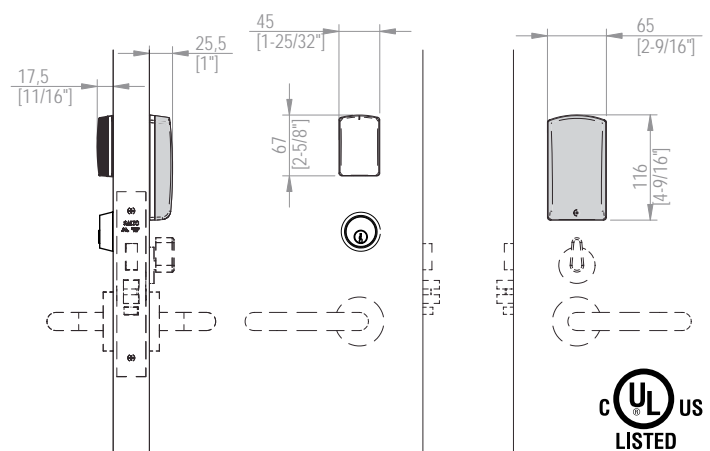


## NETWORKED ELECTRONIC LOCK WITH WIRELESS DNA AELEMENT FOR ANSI MORTISE LOCKS

AElement is an RFID lock that allows you to integrate all your physical security needs into one stylish, energy efficient, reliable, wire-free system. The minimalistic design of its RFID reader looks chic and discreet on any door, and it is available in two contemporary colours - Pearl Black and Ice White. The AElement ANSI electronic lock has been designed to fit doors with a ANSI lock case.

### AEXX: AELEMENT FOR ANSI PROFILE DOORS

#### AEXX: AELEMENT FOR ANSI PROFILE DOORS



#### MAIN FEATURES:

- Block mechanism lock.
- To be used only with SALTO LA1T17 mortise locks series.
- ID technologies available: Mifare, DESfire and Mifare Ultralight C.
- Reader body made using double layered injection construction.
- Reader dimensions: 67mm x 45mm x 17mm.
- Battery pack dimensions (inside): 116mm x 65mm x 25,5mm.
- Electronic privacy system, by a mechanical thumbturn the user can activate the "do not disturb" function just by operating this thumbturn.
- Inside handle always allows free egress (anti panic in combination with lock).
- Inside handle opening door detector.
- Compatible with ANSI A 125.13. mortise lock retrofit.
- SALTO square spindles available: 8 mm split.
- Clear dual colour LED light (green/red) to indicate lock authorisation.
- Wire-free stand alone networked system through SVN technology.
- Wireless ready lock that can be upgraded to wireless online.
- DDA (Disability Discrimination Act) compliant (depending on handle type).
- UL 10C and UL10B listed.

#### MECHANICAL FEATURES:

- Dimensions: 67mm x 45mm x 17,5mm.
- Dimensions (interior): 116mm x 65mm x 25,5mm.
- Handle rotation: 52°
- Handle mechanism block.
- Inside always allows free egress (anti panic in combination with lock).

#### AVAILABLE LOCK MODES:

- **STANDARD:** Locked at all times.
- **OFFICE:** Office mode (free passage).
- **AUTOMATIC OPENING:** 8 pairs of "hands free" timed lock and unlocks per day with holidays.
- **TOGGLE:** Present card to lock, present card to unlock.
- **TIME TOGGLE:** present card to lock, present card to unlock depending on schedules.

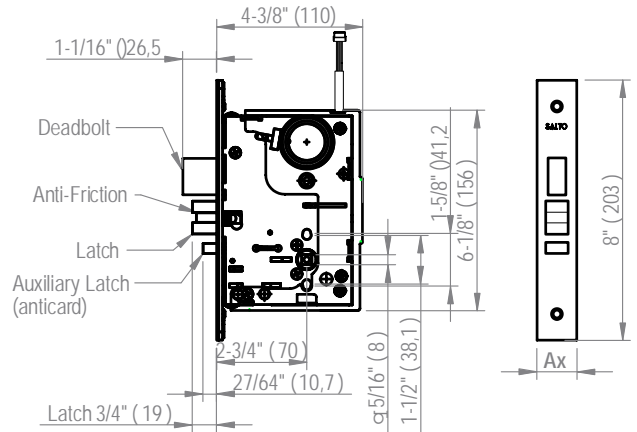


## AEXX: AELEMENT FOR ANSI PROFILE DOORS

### ELECTRONIC MAIN FEATURES AND BENEFITS:

- Wire-free stand alone networked system through SVN technology.\*
  - Locks are connected to the system through the SALTO Virtual Network, improving the security and efficiency of the system.
  - Nonvolatile memory (it is not deleted, even without power).
  - Electronic privacy option through a thumbturn on the inside. This blocks all the carriers from operating the lock, except management master keys, which will always override this privacy mode to gain entry in cases of emergency.
  - The lock is equipped with a low consumption real time clock function.
  - Dual colour LED (green/red) to indicate lock authorisation.
  - Special blink indication when lock is in privacy mode.
  - Ability to enable/disable the acoustic signal.
  - Power supply: 3 alkaline batteries LR03 AAA 1,5V. optional lithium batteries FR03.
  - Battery autonomy up to 50,000 openings.
- \*depending on the model

## AEXX: AELEMENT FOR ANSI PROFILE DOORS - MORTISE LOCK



### MAIN FEATURES:

- Mortise Lock features - ANSI A 125.13
- Axe distance 62 mm.
- Lock latched deadbolt made of steel.
- Handle rotation: 52°.
- Handle mechanism block.
- Inside always allows free egress (anti panic in combination with lock).
- Front plate 32 or 27 mm.
- Front plate shape: square.
- Handed lock - L/R - reversible.\*
- Built in door detector.
- Mechanical key override with audit detector.
- Built in privacy detector.

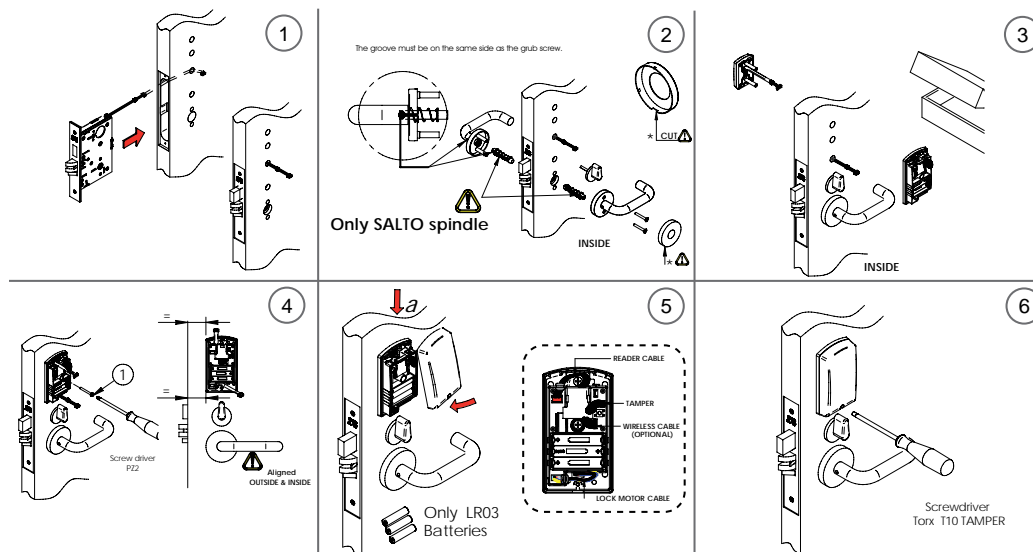
### MECHANICAL FEATURES:

- Dimensions: 110mm x 156mm.
- Available in satin stainless steel finish or satin brass type finish.
- Handle mechanism block.
- Inside always allows free egress (anti panic in combination with lock).

### SQUARE SPINDLE:

- 8mm split.

### INSTALLATION:



\* Consult SALTO

## READER FINISHES



White reader / Black reader  
Satin chrome base (IM)



White reader / Black reader  
Bright chrome base (IP)



White reader / Black reader  
PVD Polished brass base (PP)



White reader / Black reader  
PVD Satin brass base (PM)



White reader / Black reader  
PVD Antique brass base (LA)

## BATTERY PACK FINISHES



White battery pack/Black battery pack  
Satin chrome base (IM)



White battery pack/Black battery pack  
Bright chrome base (IP)



White battery pack/Black battery pack  
PVD Polished brass base (PP)



White battery pack/Black battery pack  
PVD Satin brass base (PM)



White battery pack/Black battery pack  
PVD Antique brass base (LA)

## SALTO HANDLES



SALTO E HANDLE



SALTO S HANDLE



SALTO T HANDLE



SALTO O HANDLE



SALTO L HANDLE



SALTO W HANDLE



SALTO G HANDLE



SALTO J HANDLE



As part of a partnership, SALTO AEelement is compatible\* with a large number of Olivari handles to combine the most elegant Italian design with the highest technology.



\* Only for European AEelement mortise locks, for more information consult SALTO

## ACCESS CONTROL FEATURES:

	R&W SVN	Wireless System
Maximum number of users per door	4,000,000	4,000,000
Maximum number of doors per system	64,000	64,000
Maximum events on lock audit	1000	1000
Timezones	256	256
Timeperiods	256	256
Calendars in system	256	256
User groups	unlimited	unlimited
Zones in System	unlimited	unlimited
Management software	Pro Access HAMS (available SQL)	Pro Access HAMS (available SQL)

## SALTO WIRELESS SYSTEM: REAL-TIME ACCESS CONTROL

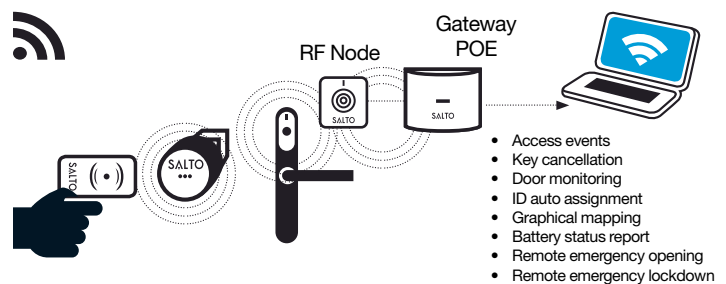
The SALTO XS4 wireless online solution delivers real-time high level security with all the convenience of battery operated access control. The SALTO Wireless system is compatible with most common RFID technologies. This makes integration easy and in many cases users can continue using existing cards for their applications.

Extensive range of escutcheon styles and sizes including Scandinavian and ANSI models. SALTO wireless escutcheons are easy to install and configure.

- Wireless Radio Frequency based on IEEE 802.15.4 at 2,4Ghz.
- AES 128 bits encryption.
- Stand-alone escutcheons can be upgraded to wireless system.
- Battery powered.
- Firmware updated via PPD or online real-time wirelessly through Pro Access SQL, HAMS SQL or ProAccess SPACE software.
- Completely integrated with SALTO platform. Works offline with SALTO Virtual Network (SVN) technology if network communication with the computer fails.
- 1000 event audit trail back up if contact with PC is lost.

## MAIN FEATURES:

- **REAL TIME AUDIT TRAIL:** access granted, access denied, card expired.
- **REAL TIME DOOR CONTROL:** View door status in real-time.
- **REAL TIME BATTERY CONTROL:** Monitor battery maintenance by viewing the lock battery status in real time.
- **KEY MANAGEMENT:** Resolved in real time as the locks receive cancelled key updates as soon as they are generated.



## GATEWAY

The SALTO Gateway is the link between the PC and the wireless network, collects all the information sent by the locks that belong to the gateway.

- Wireless radio frequency based on IEEE 802.15.4 at 2,4Ghz.
- AES 128bits encryption.
- Connection to the LAN Network 10 BASE-T/100 BASE-TX.
- PoE supported IEEE802.3af (12V power adapter optional)
- Can manage several nodes and many locks.
- IP addressing through web explorer available.
- Firmware update via software through Ethernet connection or via PPD.

## NODE

The SALTO Node is a bridge between the gateway and the wireless network.

- Wireless radio frequency based on IEEE 802.15.4 at 2,4Ghz.
- AES 128bits encryption.
- Connection to the GATEWAY BUS 485.
- Powered by the GATEWAY.
- Can manage several nodes and many locks.
- Firmware update via software through Ethernet connection.

## ID TECHNOLOGIES:

## MIFARE:

MIFARE  
DESFire

Mifare RFID contactless technology reads & writes information to contactless smart cards (RFID) compatible with ISO 14.443A, ISO 14.443B and ISO 15.693 standards, and Mifare classic, Mifare plus, Mifare Ultralight C, DESFire and DESFireEV1 technologies. They also allow for updating of the carriers via SALTO Virtual Network (SVN) technology.

- Fully integrated with the SALTO XS4 platform.
- 13.56MHz contactless RFID identification.
- ISO 14.443A, ISO 14.443B and ISO 15.693, Mifare, DESFire compatible.
- Near Field Communication (NFC) compatible.
- Key card available: 1Kbyte, 4Kbytes and 8 Kbytes depending on technology.
- Key shape available: ISO 7810 Cards, fobs, bracelets, stickers, watches...
- Reusable key cards.
- SALTO Virtual Network (SVN) compatible.\*
- RFID technology, contactless exchange of information between the card and the reader.\*
- High security encrypted Proximity cards.
- Multiapplication with other systems using the same card with different sectors.
- Customized issuing card through the SALTO Authorization Media software (SAM).
- Waterproof cards which can be customized.
- Upgradable: ROM, R&W systems available using the same hardware.

## RANGE OF RFID CREDENTIAL / KEYS

Contactless RFID Key  
CardsContactless RFID  
FobsContactless RFID  
Silicone BraceletContactless RFID  
Fobs Bracelet

## TECHNICAL DATA:

## CURRENT REQUIRED:

- 3 alkaline LR03 AAA 1.5V. batteries optional FR03 lithium batteries
- Number of openings:

- Contactless versions: Up to 50,000

## ENVIRONMENTAL CONDITIONS:

- 00° / 60°.

## CERTIFICATIONS:

- Declaration of Conformity CE
- Use of radio frequency spectrum**
  - ETSI EN 300 328 v1.7.1 (2006-10)
  - ETSI EN 302 291-2 V1.1.1 (2005-07)
- Electromagnetic Compatibility**

- ETSI EN 301 489-1 (2008-04)
- ETSI EN 301 489-3 (2002-08)

## Security requirements

- EN 60950-1 (2007)
- Following the provisions of the directive

## Fire certification

- EI<sub>60</sub>, EI<sub>60</sub> EN13501-2 (60 minutes)- (AElement European)
- UL10C compliant (AElement ANSI)

## SALTO ACCESS CONTROL PLATFORM FEATURES:

SALTO Systems unique new networked escutcheons and cylinders can be used for a huge range of access control applications. It's the first RFID system that can be upgraded at any time.

You choose the level of security control you need. From a simple highly capable mid-range ROM system, and up to the high performance data on card technology, SALTO Virtual Network (SVN) system allows you to control all the doors in an entire building or group of buildings from a single PC. And with the brand new SALTO online battery operated wireless system, you can experience real-time access control solutions without the need for wiring.

- Completely integrated in the SALTO Systems platform.
- Enables users to have standalone electronic cylinders, standalone electronic locks, standalone electronic glass door locks (SALTO wireless compatible), emergency exit devices (SALTO wireless compatible), locker locks and IP based online readers, all in the same system with SALTO Virtual Network capabilities, making it possible to update user card access plans easily.
- Stand-alone escutcheons can be upgraded to wireless system.
- Battery powered.
- Easy to install, to use and to maintain.

\* Depending on the model

SALTO Systems reserves the right to modify technical specifications, designs and performance without notice. © SALTO SYSTEMS 2015