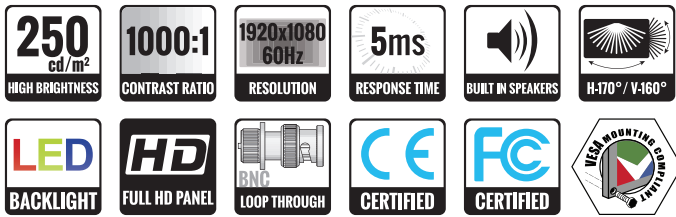


### VZ-27LX ADVANTAGES

- 27" 1080p CCTV LED Monitor
- 3D Comb-filter, De-interlace, Built-in Speakers
- Digital & Analog Inputs - BNC Loop-through out, YPbPr, VGA, HDMI and DVI
- Image Retention Feature Prevents "Pixel Burn-In"
- PIP, PBP / Auto Source & Power Recovery
- 3-Year Warranty



MODEL #	VZ-27LX
---------	---------

VIDEO	
Screen Size	27"
Max. Resolution	1920 x 1080 @60Hz
Pixel Pitch	0.311 mm x 0.311 mm
Brightness	250cd/m²(Typical)
Contrast Ratio	1000:1
Aspect Ratio	16 : 9
Viewing Angle (H/V)	170° / 160° (CR > 10)
Display Color	16.7 Million
Response Time	< 5ms
Video System	NTSC / PAL
Frequency (H)	30 ~ 80Khz
Frequency (V)	50 ~ 75Hz

INTERFACE	
VGA In (15Pin D-Sub)	1
AV (Composite) In / Out	5 / 2
Component (Y, Pb, Pr) In	1
DVI - In	1
HDMI In	2
YPbPr Sound L/R (RCA Type)	1 / 1
AV(Composite) Sound L/R (RCA Type)	1 / 1

AUDIO	
Built in speaker	5W X 2

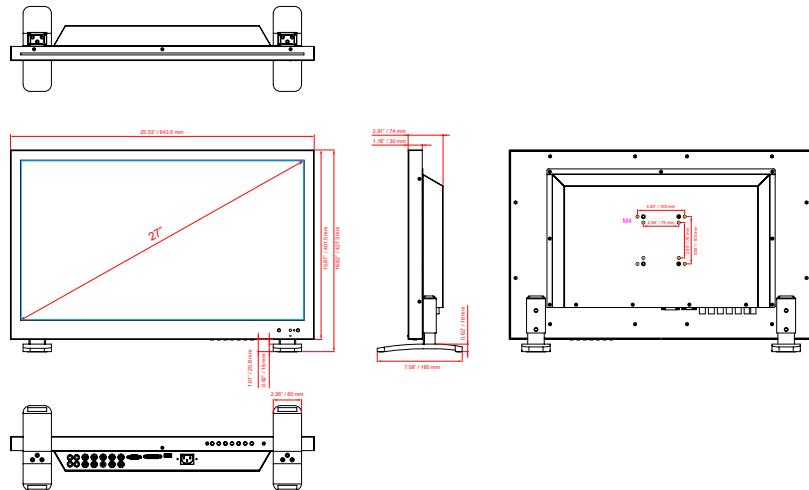
SPECIAL FEATURES	
Multi Display Function	PIP / PBP
Filter Type	3D Comb-filter / De-Interlace
Image Retention	YES
Analog Video Resolution (MAX)	600 TV Line
Multi-lingual Language	English, Spanish, French, Russian, Portuguese

DIMENSIONS & WEIGHT	
Outline Dimension (W x H x D) (Including Stand)	25.33" x 16.82" x 7.08"
Net Weight / Gross Weight	20.65 lbs ( 9.37 kg ) / 29.80 lbs ( 13.52 kg )

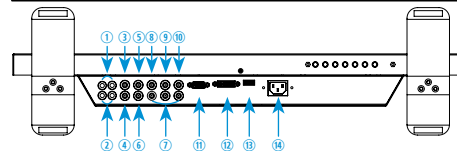
MOUNT	
VESA	75mm x 75mm 100mm x 100mm / 4 x (M4 x L10) Screws

GENERAL		
Power	Electrical Ratings	AC100 ~ 240V(50/60Hz)
	Consumption	≤ 40 W
Warranty	Parts/ Labor	3 Year / 3 Year
	MTBF (Approx.)	50,000 Hours
Operating Temperature		14 - 122°F / -10°C ~ 50°C
Regulation		CE, FCC (A), ROHS
Compatible Mounts	Wall	VZ-AM02, VZ-WM50
	Ceiling	VZ-CM06, VZ-CM18, VZ-CMKIT-01, VZ-CMKIT-02

### DIMENSIONS



### INTERFACE



- |                             |                      |                           |
|-----------------------------|----------------------|---------------------------|
| 1. AV AUDIO IN ( L / R )    | 6. AV ( BNC ) #2 OUT | 11. VGA (15 Pin D-Sub) IN |
| 2. YPbPr AUDIO IN ( L / R ) | 7. YPbPr ( BNC ) IN  | 12. DVI IN                |
| 3. AV ( BNC ) #1 IN         | 8. AV ( BNC ) #3 IN  | 13. HDMI IN               |
| 4. AV ( BNC ) #1 OUT        | 9. AV ( BNC ) #4 IN  | 14. AC 110V IN            |
| 5. AV ( BNC ) #2 IN         | 10. AV ( BNC ) #5 IN |                           |

### Contact ViewZ

- Address : 177 W. Orangethorpe Ave., Placentia, CA 92870
- Phone : (714) 996-1177, Fax : (714) 996-1138
- Sales : sales@viewzusa.com
- Specification subject to change without notice.