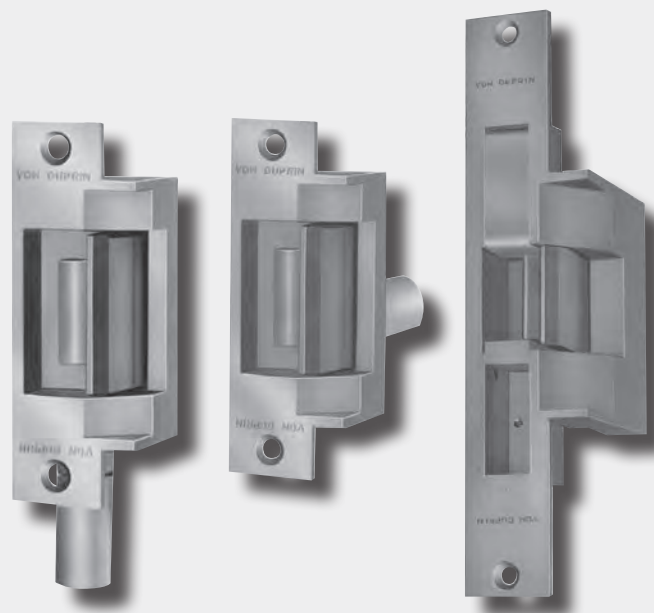


VON DUPRIN®

6200 Series

Strikes for mortise or cylindrical devices



Overview

Von Duprin electric strikes are known for their reliability, durability and security. The 6200 Series strikes are designed to withstand abuse. Their heavy-duty stainless steel construction is fully UL1034 and UL10C listed and meets ANSI/BHMA Grade 1.

6200 Series electric door strikes are designed for use with a variety of mortise or cylindrical locksets. Electrified strikes allow remote release of a locked door by activating a movable lip (keeper) using an entry/exit button or credential reader and can be a cost effective means for managing access. 6200 Series strikes come standard as 24 VDC in fail secure mode. 12 VDC and AC operation can be selected, as can fail safe mode and other options that enable you to configure these strikes to fit your exact needs.

Use 6200 Series electric strikes for retrofit applications or new construction. To assure the proper selection of an electric strike on new applications, lockset compatibility charts are shown on the next page. When using a lockset not listed or when retrofitting a strike to an existing application, please contact Von Duprin Technical Support for application assistance.

Features and benefits

- 17 configurations available for cylindrical and mortise applications
- Heavy-duty stainless steel construction
- 24 VDC standard with 12, 16 and 28 VDC operation optional
- Two-piece plug connectors are furnished for ease of installation and removal during strike servicing
- Options include rectifier kit for VAC to VDC conversion, dual monitor switches, entry buzzer and Allegion Connect wire extension
- Six popular finishes available to suite with existing hardware
- Suitable for interior and exterior doors
- UL 10C 3-hour fire-rated (fail secure only)
- UL 1034 listed for burglary-resistant electric door strikes
- Meets ANSI/BHMA A156.31, Grade 1 for endurance and dynamic strength
- Meets ANSI/BHMA A156.31, Grade 1, 1500 lbs static strength
- Dynamic strength 70 ft-lbs
- Endurance 1,000,000 cycles



Model specifications

Model number	6222	6223	6224	6224AL	6225	6226
Retrofits model	FA 310-2 ¾ OB	VD 3091 VD 3092	FA 310-2 ¾	FA 310-2RF	FA 310-2 OB	FA 310-2
Latchbolt throw	¾"	¾"	¾"	¾"	¾"	¾"
Face plate length	9"	6"	9"	9"	9"	9"
Backbox depth	2"	4 ½"	2"	1 ⅝"	1 ⅝"	1 ⅝"
Lockset	Mortise without deadbolt	■	■	■	■	■
	Mortise with deadbolt 1" throw	---	---	---	---	---
	Cylindrical	■	■	■	■	■
Number of doors	Single	---	---	---	---	---
	Pair	■	■	■	■	■
Door and frame type	Hollow metal	■	■	■	---	■
	Aluminum	■	■	■	■	■
	Wood	---	■	---	---	---
Options	DS or DS-LC (dual monitor switches)	■	■	■	■	■
	EB (entry buzzer - fail-secure only)	■	■	■	■	■
	28VDC AC rectifier kit	■	■	■	■	■
	16VDC solenoid	■	■	■	■	■
Certifications	UL1034	■	■	■	■	■
	UL10C	3 hour*	3 hour*	3 hour*	3 hour*	3 hour*
	ANSI/BHMA 156.31	Meets Grade 1, 1500 lbs static strength; 70 ft lbs dynamic strength; 1,000,000 cycles endurance				
Application notes	1	2	3	4	5	6

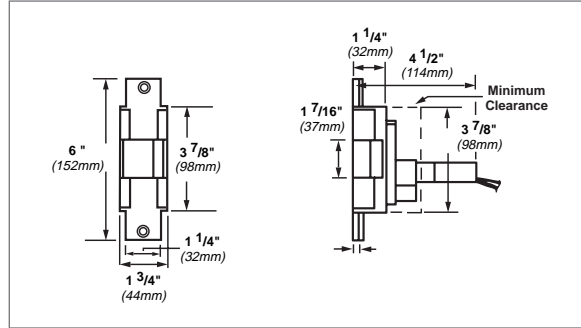
* When pair door has inactive leaf.

Application notes:

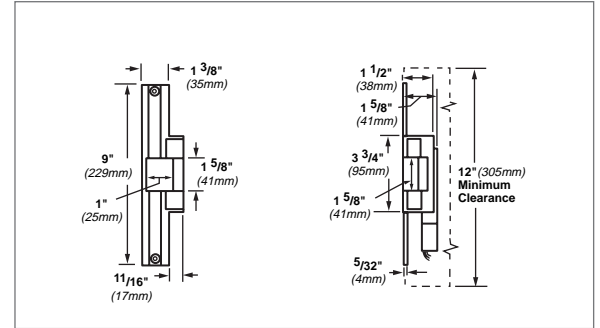
- Open back electric strike for use on 1 ¾" (44 mm) thick double door applications
- Closed back electric strike for use on 1 ¾" (44 mm) thick double door applications. 4 ¾" (120 mm) minimum stile required. For a concealed vertical rod and mortise device combination specify "A" backbox.
- Closed back electric strike for use on 1 ¾" (44 mm) or 2 ¼" (57 mm) thick double door applications.
- Closed back electric strike for use on 1 ¾" (44 mm) or 2 ¼" (57 mm) thick aluminum double door applications.
- Open back electric strike for use on 1 ¾" (44 mm) thick double door applications.
- Closed back electric strike for use on 1 ¾" (44 mm) or 2 ¼" (57 mm) thick double door applications.

Dimensions

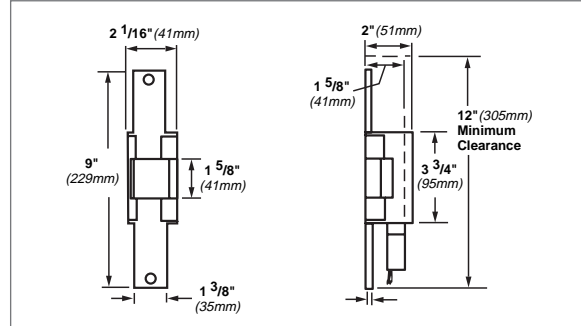
6221



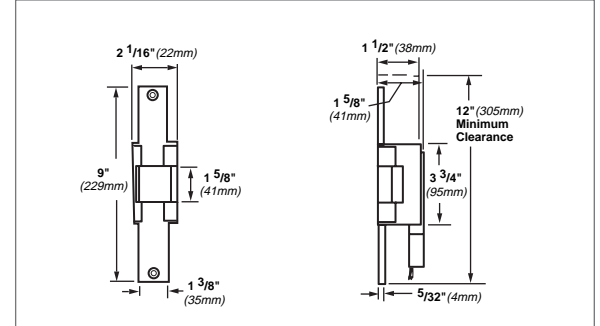
6224AL



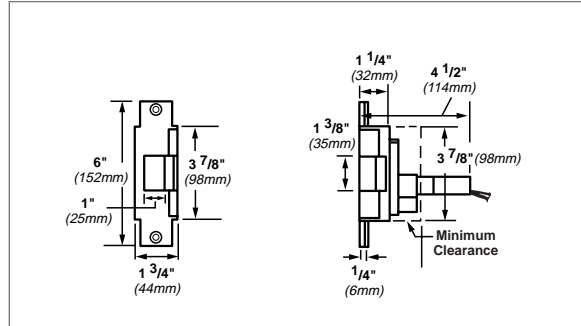
6222



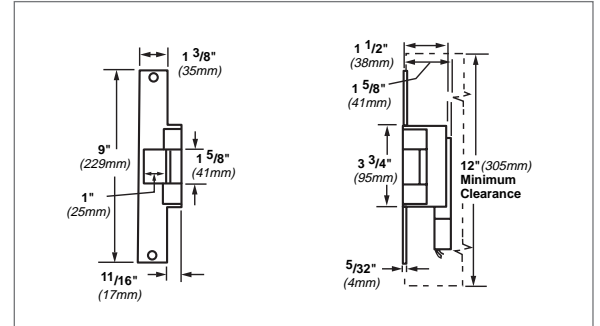
6225



6223



6226



6224

