



The 5000 Series is also available in a **Complete One Box Solution**

5000 Series

The grade 1, low profile solution for cylindrical locksets

Shown with 501 Option

The 5000 series is a compact, high performance electric strike designed for low profile openings where there is limited space behind the jamb. Its strength is derived from a unique keeper pin locking design, enabling the 5000 to exceed the ratings of the frame, door and locking hardware. This field selectable fail secure/fail safe unit is easy to install and accommodates latchbolts up to 5/8" throw.



Specifications

- UL 1034, burglary-resistant listed and suitable for outdoor use
- UL 294 (6th Edition) listed
- ANSI/BHMA A156.31, Grade 1
- MEA New York City accepted
- RoHS compliant
- Patent: 5,934,720

Frame Application

- Metal
- Wood

Electrical

- .24 Amps at 12 VDC/VAC
- .12 Amps at 24 VDC/VAC
- DC continuous duty/ AC intermittent duty only
- PoE friendly

5000 Models

5000	Universal electric strike	Faceplate options ordered separately, see page 26
5000C	Complete electric strike	Includes the 501 and 501A faceplates
RF5010	Integrated Prox	Includes the strike body, Prox reader and door position switch
IC5020	Integrated iCLASS®	Includes the strike body, iCLASS reader and door position switch

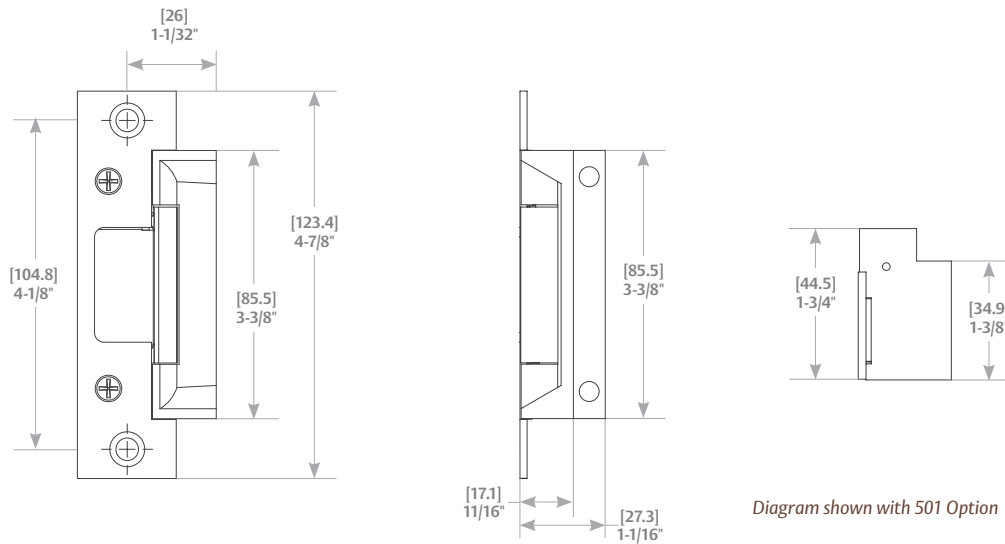


Diagram shown with 501 Option

Standard Features

- Tamper-resistant
- Static strength 1,500 lbs.
- Dynamic strength 70 ft-lbs.
- Endurance 500,000 cycles
- Field selectable fail secure/fail safe
- Dual-voltage 12 or 24 VDC/VAC
- Non-handed
- Internally mounted solenoid
- Accommodates 1/2" - 5/8" latchbolt (5/8" with 1/8" door gap)
- Strike body depth 1-1/16"
- Plug-in connector
- Trim enhancer included
- Five-year limited warranty

Optional Features

LBM » Latchbolt monitor

Accessories

150 » Strike latch guard

154-MTK » Metal template kit

2001M » Plug-in bridge rectifier

2004M » ElectroLynx® adapter

2005M3 » SMART Pac® III

2006M » Plug-in buzzer

5104-1/2 » 1/2" stackable lip extension

5104-1 » 1" stackable lip extension

5104-1-1/4 » 1-1/4" stackable lip extension

Finishes

630 » Satin stainless steel

605 » Bright brass

606 » Satin brass

612 » Satin bronze

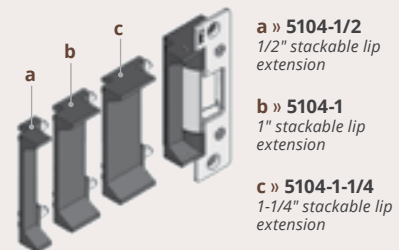
613 » Bronze toned

629 » Bright stainless steel

BLK » Black

*Complete Pacs are only available in the 630 finish

"Press Fit" Stackable Lip Extensions



CYLINDRICAL
LOCKSETS



SPECIALTY
LOCKSETS



FIELD SELECTABLE
(12 OR 24VDC)



FIELD SELECTABLE
(FAIL SECURE/
FAIL SAFE)



GRADE 1



OUTDOOR
RATED



UL 1034
BURGLARY
LISTED

hes
ASSA ABLOY