

THE ONE BOX "KIT" SOLUTION FOR THE 3000 SERIES



FOR CYLINDRICAL LOCKS

323478LC KIT

323478LC Includes:

- (1) 234-26D – 2 3/4" Faceplate
- (1) 234X-375-26D – 2 3/4" Faceplate with extended ramp
- (1) 478-32D – 4 7/8" Faceplate
- (1) 478-CCFP - Competitor Cutout Filler Plate
- (1) 30LC - 11-29 AC & DC Mechanism



30LC

478-CCFP

Covers the cutout left by competitor strikes.

See pg 34 for more details



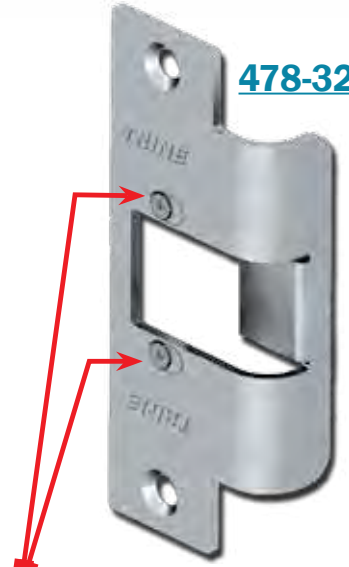
234-26D

For the smallest electric strike cutout!



234X-26D

Designed for Timely®/Redi® Frames. Great for Wood!



478-32D

Patented horizontal adjustment feature – guaranteed not to move!

FOR DEADLATCHES AND ALUMINUM FRAMES 3258458LC KIT

3258458LC Includes:

- (1) 258 – 2 3/4" Faceplate
- (1) 458LH – 4 5/8" Left Handed Faceplate
- (1) 458RH – 4 5/8" Right Handed Faceplate
- (1) 30LC - 11-29 AC & DC Mechanism



30LC



458RH



458LH



258

Fills frame preparation for many Adams Rite® Locks without relocating tabs.

Finishes:

3258458LC-ALUM
(Aluminum Powder Coat)

3258458LC-DKBZ
(Dark Bronze Powder Coat)

80% LESS FRAME CUTTING.

Smallest aluminum solution available - Great for glass store fronts

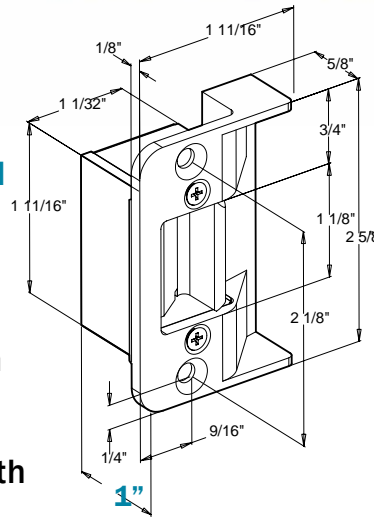
THE SMALLEST ELECTRIC STRIKE IN THE WORLD THE 3000 SERIES



258 Faceplate

80% less frame cutting when compared to typical 4 7/8" electric strike installations.

For new or replacement installations in aluminum frames. Use with 4510, 4710 & 4750 Adams Rite® dead latches. Replaces 4502 strike plate with slight modification.



258-26D
(Satin Chrome - BHMA651)
258-US10B
(Dark Bronze - BHMA613)

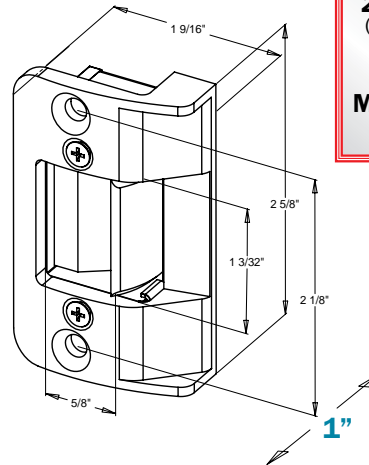
Match with any 3000 Mechanism:
3012, 3024, 30LC, 30RS



258RD Radiused Faceplate

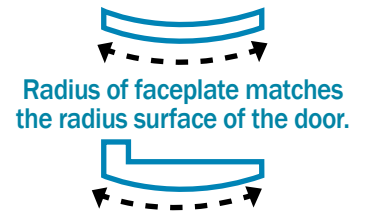
80% less door cutting when compared to typical 4 7/8" electric strike installations.

For new or replacement installations in aluminum doors. Use with 4510, 4710 & 4750 Adams Rite® dead latches. Replaces 4502 & 4900 strike plate with slight modification.



258RD-26D
(Satin Chrome - BHMA651)
258RD-US10B
(Dark Bronze - BHMA613)

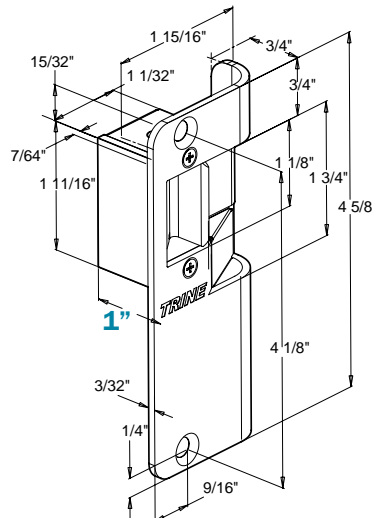
Match with any 3000 Mechanism:
3012, 3024, 30LC, 30RS



458 Faceplate

80% LESS FRAME CUTTING.

Fills the frame preparation of Adams Rite® MS Locks without relocating tabs for 6 7/8" electric strikes. For new or replacement installations in aluminum frames. Replaces Adams Rite® 4730/4501 strike plate with slight frame modification.



458-32D
(Satin Stainless Steel - BHMA630)
458-US10B
(Dark Bronze - BHMA613)

Match with any 3000 Mechanism:
3012, 3024, 30LC, 30RS

****Must Specify Handing****

RO-Right Handed Strike Shown