

THE SMALLEST ELECTRIC STRIKE IN THE WORLD
THE 3000 SERIES

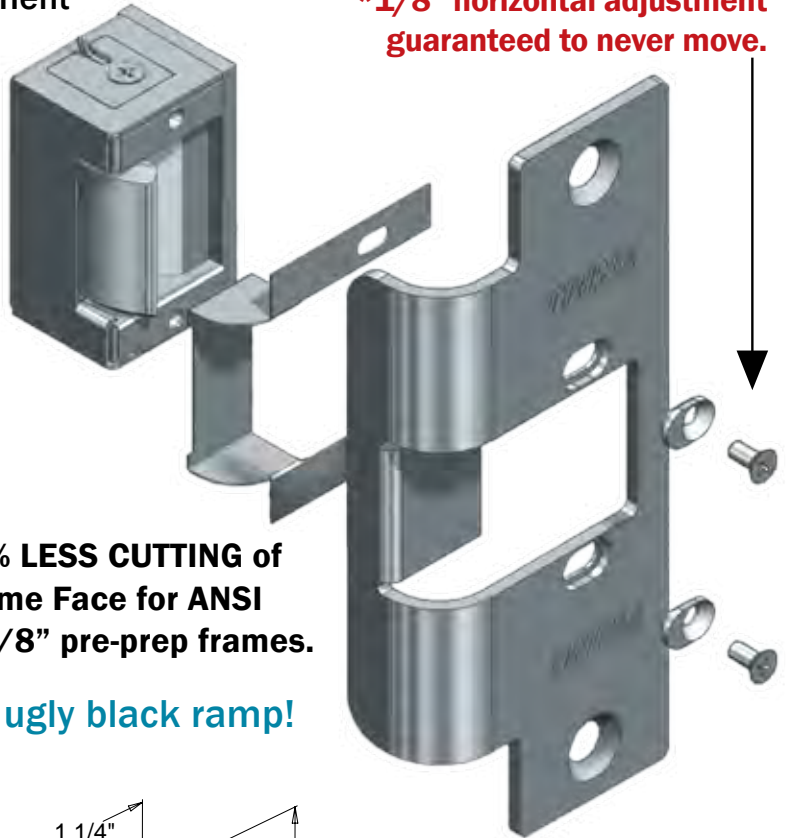


478

Adjustable ANSI Faceplate

For new or replacement installation in wood, metal or aluminum frames. Use with cylindrical locksets having up to 5/8" throw, based on 1/8" door gap.

***1/8" horizontal adjustment guaranteed to never move.**

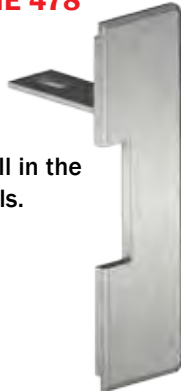


478-CCFP

NOW INCLUDED WITH THE 478 FACEPLATE!

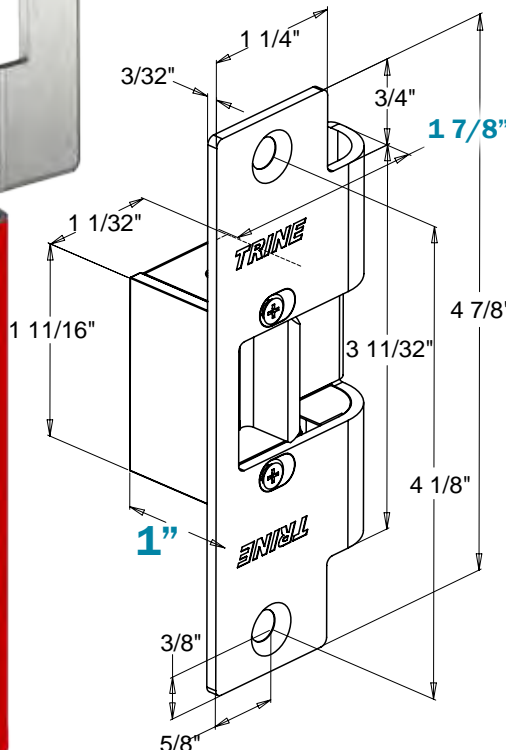
Competitor Cutout Filler Plate

Stainless plate designed to fill in the hole left by competitor models.



60% LESS CUTTING of Frame Face for ANSI 4 7/8" pre-prep frames.

No ugly black ramp!



- 478-32D**
(Satin Stainless Steel – BHMA630)
- 478-32**
(Polished Stainless Steel – BHMA629)
- 478-US10B**
(Dark Bronze – BHMA613)
- 478-US3**
(Bright Brass – BHMA605)
- 478-US4**
(Satin Brass – BHMA606)

RD (Radiused Corners)

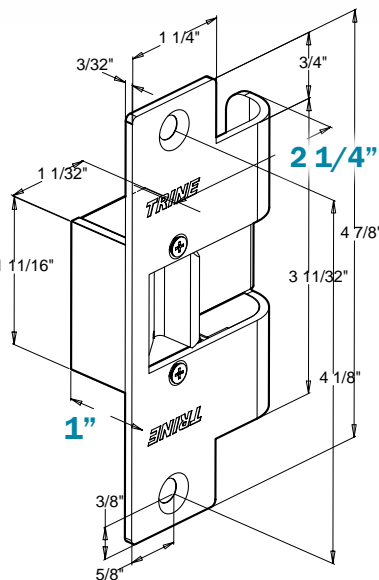
Match with any 3000 Mechanism:
3012, 3024, 30LC, 30RS

See page 38 for all frame prep details.

478X-375 Extended Faceplate



Frame features an extended ramp to accommodate additional face of **Timely®/Redi®** frames. Use with cylindrical locksets and deadlatches having up to 5/8" throw, based on 1/8" door gap.



478X-375-32D
(Satin Stainless Steel – BHMA630)
478X-375-US10B
(Dark Bronze – BHMA613)
478X-375-US3
(Bright Brass – BHMA605)

RD (Radiused Corners)

**Match with any 3000 Mechanism:
3012, 3024, 30LC, 30RS**

Ramp Extends .375"



Provides a finished look for wood frames with trim.

See page 40 for frame prep.

GOODBYE UNATTRACTIVE BLACK RAMPS!

- Extended ramp (.375") accommodates snap-on additional frame face of Timely® & Redi® Frames.
- Eliminates traditional 4 7/8" ANSI strike cutting and black ramp extensions.
- Forward mounting of mechanism helps prevent door pre-load.

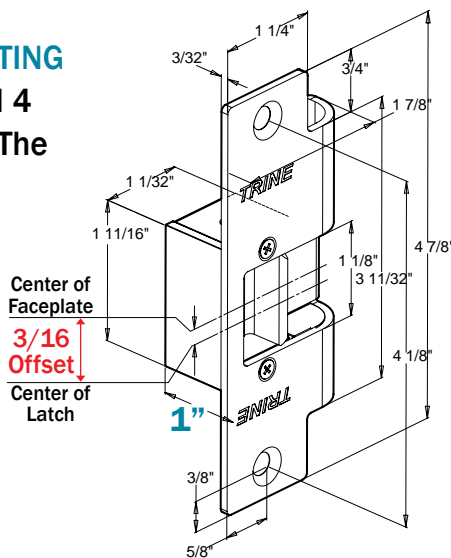
Made for Timely®/Redi® Frames

478LO / 478RO Faceplate



RO-Right Handed Strike Shown

60% LESS FRAME CUTTING of Frame Face for ANSI 4 7/8" pre-prep frames. The strike opening on this face plate is **offset by 3/16"** from the center to accommodate door sag for the 478 (just change faceplates, and use the same mechanism)



NOTE: RIGHT HAND SHOWN HERE

478RO/LO-32D
(Satin Stainless Steel – BHMA630)
478RO/LO-32
(Polished Stainless Steel – BHMA629)
478RO/LO-US10B
(Dark Bronze – BHMA613)

RD (Radiused Corners)

****Offset strike - Must Specify Handing****

**Match with any 3000 Mechanism:
3012, 3024, 30LC, 30RS**

Accommodates for door sag.