

# 4100DBDL

## 4 - 7/8" ANSI CUTOUT SPLIT LATCH ELECTRIC STRIKE

For use with mortise locks with or without deadbolt. Provides a physical means to allow user privacy with a deadbolt while still allowing administrative override.

- 2 separate latches open and close independently.
- 4 faceplates included
- 12 & 24DC, 12-24 AC
- 1 Trim Skirt Provided (32D Finish)
- Strong: Exceeds 3,250 lbs. of Holding Force
- Durable: Exceeds 1,000,000 Life Cycles
- Low Current Draw
- USPT #US20110241361

### Standards:

- WH recognized 3-hour fire rated – UL10C, Fire Tests of Door Assemblies.
- BHMA Grade 1: ANSI/BHMA A156.5
- UBC 7-2, Uniform Building Code.
- CAN4 S104, Standard Method for Fire Tests of Door Assemblies.
- NFPA 252 - Issue: 1999/01/01 Standard Methods of Fire Tests of Door Assemblies.

NOTE: WH fire listing is void when using fail safe action.

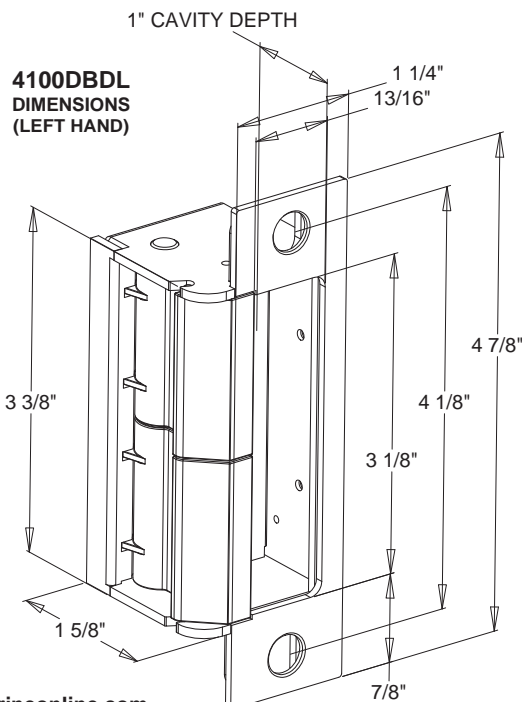


LEFT HAND  
SHOWN

### 4100DBDL ELECTRICAL CHARACTERISTICS:

| Voltage        | Current Draw | Power Consumption | Resistance |
|----------------|--------------|-------------------|------------|
| 12DC           | .240 Amps    | 2.90 Watts        | 50 Ohms    |
| 24DC           | .114 Amps    | 2.74 Watts        | 210 Ohms   |
| 12AC @ 50-60Hz | .210 Amps    | 2.50 Watts        | 50 Ohms    |
| 16AC @ 50-60Hz | .281 Amps    | 4.48 Watts        | 50 Ohms    |
| 24AC @ 50-60Hz | .420 Amps    | 10.08 Watts       | 50 Ohms    |

Note: Electronics are per latch/mechanism. The DBDL has two mechanisms and Amperage requirements are then doubled if activated at the same time.



### 4100DBDL HOW TO ORDER/SPECIFY PART #'S

|                                      |  |
|--------------------------------------|--|
| <b>BOTH LATCHES<br/>FAIL SECURE</b>  | <b>4100DBDL-RH-32D<br/>4100DBDL-LH-32D</b>         |
| <b>BOTH LATCHES<br/>FAIL SAFE</b>    | <b>4100DBDL-RS-RH-32D<br/>4100DBDL-RS-LH-32D</b>   |
| <b>TOP LATCH<br/>IS FAIL SAFE</b>    | <b>4100DBDL-RST-RH-32D<br/>4100DBDL-RST-LH-32D</b> |
| <b>BOTTOM LATCH<br/>IS FAIL SAFE</b> | <b>4100DBDL-RSB-RH-32D<br/>4100DBDL-RSB-LH-32D</b> |