



The 4500 Series is a Complete One Box Solution

4500C

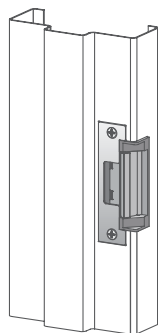
Complete One Box Solution

The **low profile, heavy duty, fire-rated** solution

Shown with mortise lock faceplate

The 4500C series electric strike is designed to maintain 1/2" drywall penetration even in a 2" UL 10C fire-rated frame. The 4500C features a low profile 1-3/8" depth, heavy-duty stainless steel construction. Its strength is derived from a unique keeper pin locking design, enabling the 4500C to exceed the ratings of the frame, door and locking hardware. The 4500C includes two faceplates designed to accommodate either cylindrical or mortise locksets up to a 3/4" throw latchbolt.

See the Compatibility Chart on pages 94-95 for mortise lock compatibility.



Specifications

- UL 10C fire-rated, 3 hour (fail secure only)
- CAN4-S104 (ULC-S104) fire door conformant
- UL 1034 burglary-resistant listed
- UL 294 (6th Edition) listed
- ANSI/BHMA A156.31, Grade 1
- NFPA-252 fire door conformant
- ASTM-E152 fire door conformant
- California Fire Marshall listed
- RoHS compliant
- Patent: 5,934,720

Frame Application

- Metal
- Wood

Electrical

- .24 Amps at 12 VDC/VAC
- .12 Amps at 24 VDC/VAC
- DC Continuous duty/AC intermittent duty only
- PoE friendly

4500C Models

4500C	Complete electric strike	Includes faceplates for cylindrical and mortise locks
RF4510	Integrated Prox	Includes the strike body, Prox reader and door position switch
IC4520	Integrated iCLASS®	Includes the strike body, iCLASS reader and door position switch in the box

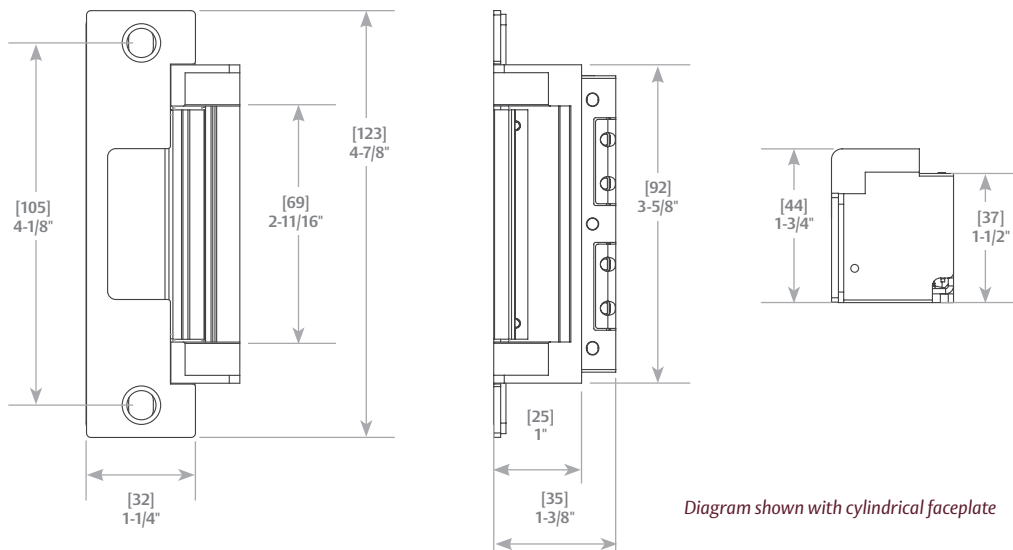


Diagram shown with cylindrical faceplate

Standard Features

- Stainless steel construction
- Tamper-resistant
- Static strength 3,000 lbs.
- Dynamic strength 100 ft-lbs.
- Endurance 1,000,000 cycles
- Field selectable fail secure/fail safe
- Dual-voltage 12 or 24 VAC/VDC
- Two faceplates provided to accommodate a variety of locksets
- Non-handed
- Internally mounted solenoid
- Accommodates up to a 3/4" latchbolt
- Strike body depth 1-3/8"
- Plug-in connector
- Trim enhancer
- Full keeper shims for horizontal adjustment
- Five-year limited warranty

Optional Features

LBM » Latchbolt monitor

LBSM » Latchbolt strike monitor

Accessories

4500-105 » Trim enhancer - black

4500-110 » Replacement strike plate

4500-131 » Filler block - 7/16"

150 » Strike latch guard

154-MTK » Metal template kit

2001M » Plug-in bridge rectifier

2004M » ElectroLynx® adapter

2005M3 » SMART Pac® III

2006M » Plug-in buzzer

4501-1/2 » 1/2" stackable lip extension

4501-1 » 1" stackable lip extension

Finishes

630 » Satin stainless steel

605 » Bright brass

606 » Satin brass

612 » Satin bronze

613 » Bronze toned

629 » Bright stainless steel



CYLINDRICAL
LOCKSETS



MORTISE LOCKS
WITHOUT
DEADBOLTS



FIELD SELECTABLE
(12 OR 24VDC)



FIELD SELECTABLE
(FAIL SECURE/
FAIL SAFE)



FIRE RATED



GRADE 1



UL 1034
BURGLARY
LISTED

