

E-Plex® Card-Based Lock Specifications

E-Plex®

5600/5700 Series

FEATURES

Access Control:

Electronic pushbutton card-based locks with dual credential capability—PIN and/or card options. Card types include PROX (E-Plex 5700) or iCLASS®, MIFARE® and DESFire® Smart Cards (E-Plex 5600). Lock is scheduled to require credentials based on security and convenience requirements

- PIN only
- Card only
- PIN + Card

Number of Users:

3,000 access users per door (300 using LearnLok™ feature)

Audit Trail:

The most recent 30,000 lock events are recorded in memory, including use of the mechanical key override

Programming:

Locks are programmed simply via keypad using LearnLok feature without any software, or with *optional* E-Plex Enterprise Software to manage large number of doors and users. Upgradable to wireless.

Handing:

Non-handed, pre-assembled for left-hand door installations—easily changed in the field

Key Override:

Key-in-lever cylinders, small format interchangeable cores, large format removable cores

Lock Function Customization:

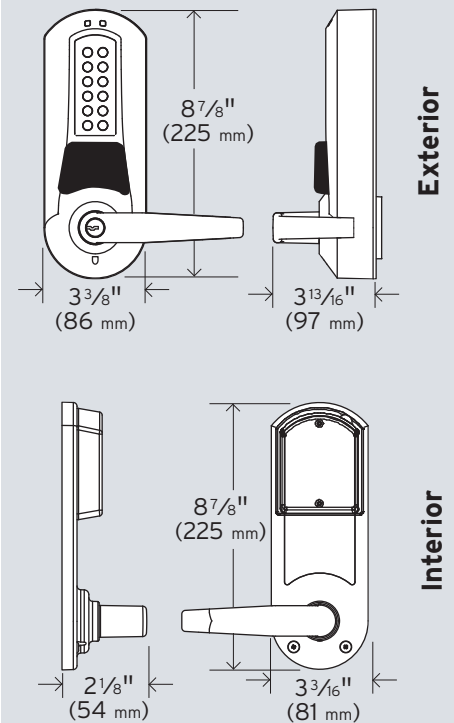
Locks are easily customized on site via keypad to work as various BHMA lock functions, eliminating the requirement to stock multiple locks for different applications. Built-in options include: Entry, Privacy, and Residence lock, (thumbturn required for privacy and residence functions)

Three Operation Modes (Credentials):

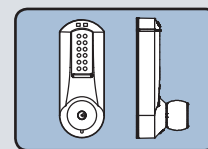
- PIN only, card only or PIN + card access per access schedule
- Lockout
- Passage—can be toggled on/off or pre-programmed to relock manually or via software



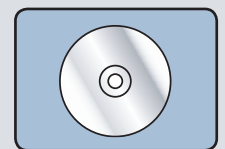
Cylindrical Dimensions



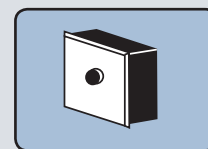
Optional Features



• Knob



• PC Software



• Remote Unlock

FEATURES (CONTINUED)

Scheduling:

Access Schedules—Up to 16 different access schedules can be programmed into lock

Holiday / Vacation—Up to 32 different holiday / vacation blocks can be programmed into lock

Passage Options:

- First manager in (or privileged user)
- Automatically according to access schedules
- Manually toggled on / off at lock

Authority Levels:

Six different levels allow who has access to specific lock functions, including:

Master Level—Performs all set-up and programming functions

Manager Level—Administers common programming functions

Access User Level—Entry granted with valid credential(s)

Service Level—PIN-only credential for single event or up to four-day access, programmable in advance; no expiry for "Super" Service user

Guest Level—1-365 day durations

Maintenance Level—No access is granted, but information can be uploaded/downloaded to/from the lock with handheld unit

User Parameters:

PIN length—Adjustable to accept 4 to 8 digits

Anti-tamper lockout—Adjustable from 3 to 9 invalid attempts with an adjustable period of 0 to 90 seconds

Relock time—Adjustable from 2 to 20 seconds

Battery Operation:

Batteries located in interior housing cover; offers quick and easy battery replacements; Four AA Alkaline batteries provide up to 120,000 cycles (performance varies based on settings); lock data is maintained if batteries fail

Ease of Installation:

LectroBolt™ eliminates wiring to or through the door—no risk of pinched wires

MECHANICAL FEATURES

Construction:

Extra heavy-duty cylindrical lockset, solid cast housings, solid cast levers, cylindrical drive wear tested for extensive use in indoor and outdoor applications

Numeric Keypad:

Vandal resistant, solid metal pushbuttons

Door Handing:

Cylindrical and E-Plex Mortise—Non-handed, pre-assembled for left-hand door installations— easily changed in the field

Exit Trim—Non-handed

Backsets:

Cylindrical—2¾" (70 mm), 2⅝" (60 mm)

Mortise—2¾" (70 mm)

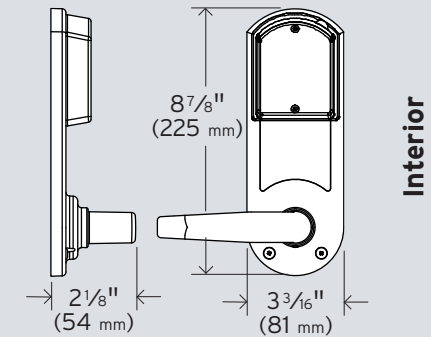
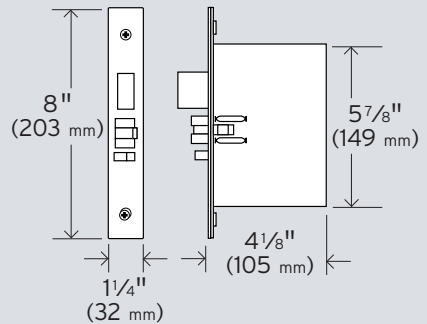
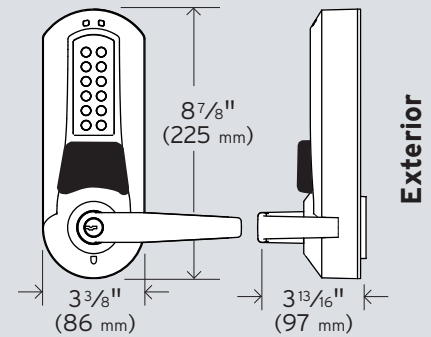
Exit Trim—Varies by exit device type

Latch:

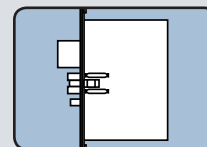
Cylindrical—½" (13 mm) latch, ¾" (19 mm) latch (optional) with three-hour UL/ULC fire rating

Mortise—¾" (19 mm) latch, 1" (25 mm) deadbolt (optional)

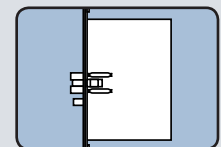
Mortise Dimensions



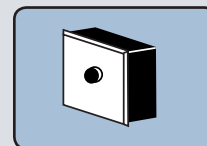
Optional Features



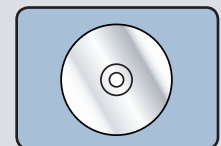
• Deadbolt



• Without Deadbolt



• Remote Unlock



• PC Software

MECHANICAL FEATURES (CONTINUED)

Minimum Stile Recommended:

5" (127 mm)

Weight:

Cylindrical—9.5 lbs. (4.30 kg)

Exit Trim—9.5 lbs. (4.30 kg)

Mortise—11.5 lbs. (5.20 kg)

Key Override Universal Key-In-Lever Cylinders:

Includes Kaba 1599 6-pin cylinder (prepped to Kaba 90 or Schlage "C" Keyway, keyed different) and tailpieces for compatibility with:

Abloy 5277	Corbin Russwin 2000-03	Marks
Abloy 5477	Kaba 1539	Medeco 20W200H1
Arrow C100	Kaba 1599	Sargent 10 Line
ASSA 65611	Kaba Gemini 4730	Schlage 23-001
ASSA 65691	Kaba Peaks 1099	Schlage Primus 20-760

Australian: Kaba expert 107K5, Boyd KC286

European: Quattro S/Expert, AP2 (5 and 6-pin)

Interchangeable Cores:

Small format Best and equivalents (6 or 7-pin length)

Removable Cores:

Large format ASSA, Medeco, Yale, Abloy (5 or 6-pin), Corbin Russwin, Schlage, and Sargent

INSTALLATION

Ease of Installation:

LectroBolt eliminates wiring to or through the door—no risk of pinched wires

Door Preparation:

Cylindrical and Exit Trim—ASA 161 (Easily installs on door preparation with two additional through bore holes (wood or metal doors)

Mortise—ASA 86 door preparation with two additional through bore holes

Door Thickness:

Cylindrical—1 3/8" (35 mm) to 2 1/4" (57 mm)

Pre-assembled to accommodate doors 1 5/8" (41 mm) to 2" (50 mm)

Mortise—1 3/4" (44 mm) to 2 1/4" (57 mm)

Pre-assembled to accommodate doors 1 5/8" (41 mm) to 2" (50 mm)

Exit Trim—1 3/4" (44 mm) to 2 1/4" (57 mm)

Pre-assembled to accommodate doors 1 3/4" (44 mm) to 2 1/8" (54 mm)

Items Supplied:

Cylindrical and Mortise—Lock assembly, installation manual, template, quick reference guide, operations manual, and required hardware

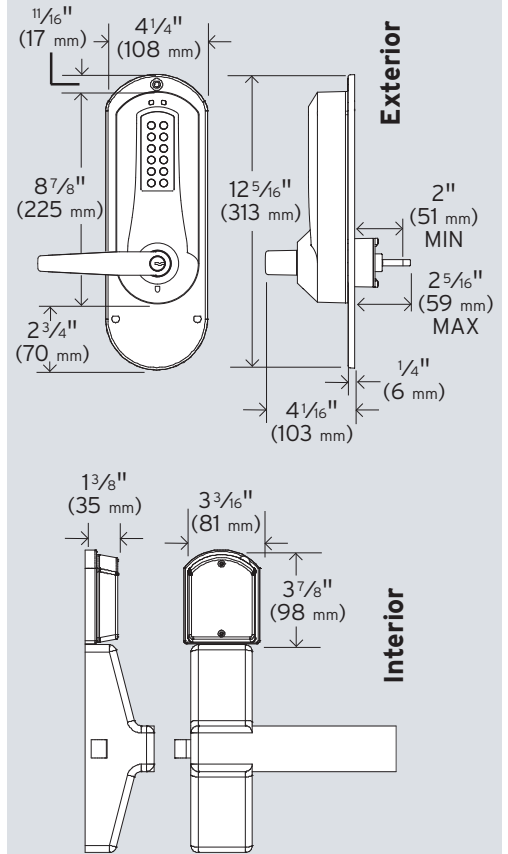
Exit Trim—Lock assembly, installation manual, template, quick reference guide, operations manual, and required hardware. Exit Device and mounting hardware not included.

Additional Items Supplied with Key-in-Lever Cylinder Model Only:

Cylindrical and Mortise—Universal Kaba 1599 6-pin cylinder with tailpiece, four additional tailpieces, and two nickel silver keys

Exit Trim—Universal Kaba 1599 6-pin cylinder with tailpiece, four additional tailpieces, nickel silver keys, and spare cylinder retainer

Exit Trim Dimensions

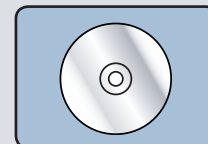


Exit Device Compatibility

Arrow S1250	Precision 21/FL21
Arrow S3883F/S3800	Sargent 2828
Black & Decker (K-2) QED111/112	Sargent 3828
Cal Royal 9800	Sargent 8810E/8800
Cal Royal 2200	Sargent 8888
Corbin Russwin ED5200/5200A	Von Duprin 22/22F
Detex 1001 BP1	Von Duprin 98/98F
Detex 10/F10 Series	Von Duprin 99/99F
Dorex 8500R/8500F	Von Duprin XP98/99
Dorex 9500PR/9500FR	Yale YME2100/2100
Dorma 9300/F9300	Yale 7100
Monarch 18R*, F18R*	

*(requires special K-Hub Adapter)

Optional Feature



• PC Software

CERTIFICATION AND TESTING

Accessibility Standard:

Americans with Disabilities Act (ADA)

Durability:

Cylindrical—ANSI/BHMA A156.2, Grade 1 Certification

Mortise—ANSI/BHMA A156.13, Grade 1 Certification

Exit Trim—ANSI/BHMA A156.3, Grade 1 Certification

Electronic—ANSI/BHMA A156.25, Grade 1 Certification

Fire Rating:

Three-hour UL/ULC fire door rating for "A" labeled doors

Environmental:

Indoor/Outdoor Approved

Front Housing: -31 °F (-35 °C) to + 151 °F (66 °C)

Rear Housing: -31 °F (-35 °C) to + 130 °F (55 °C)

WARRANTY

Warranty:

Three-year warranty from date of installation; built-in warranty counter in lock memory

AVAILABLE FINISHES

Standard Finishes:

Satin Chrome 26D (626) housings and levers

Black (676) housings with Satin Chrome (626) levers and accents

Optional Finishes:

Bright Brass 03 (605) housings and levers

Satin Brass 04 (606) housings and levers

Bright Chrome 026 (625) housings and levers

Dark Bronze (744-simulates 10B/613) housings and levers with Satin Brass (606) pushbuttons

Standard Finishes

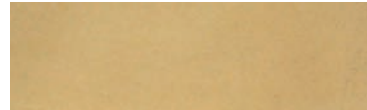


Satin Chrome

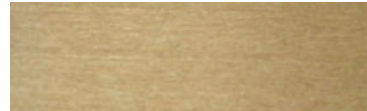


Black

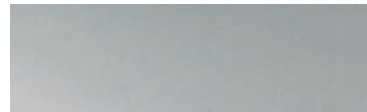
Optional Finishes



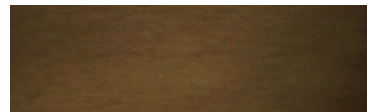
Bright Brass



Satin Brass



Bright Chrome



Dark Bronze

Disclaimer: While reasonable efforts were made to ensure the accuracy of this document at the time of printing, Kaba assumes no liability for any errors or omissions. This information is subject to be revised without notice, and changes may be incorporated in future releases

Copyright © 2014 Kaba Access & Data Systems Americas. All rights reserved.

KAA1066 0214

Kaba Access & Data Systems Americas

2941 Indiana Avenue
Winston-Salem, NC 27105
Tel: 1-800-849-8324

www.kaba-adsamericas.com