

1100 Series Surface Mount Switch Sets



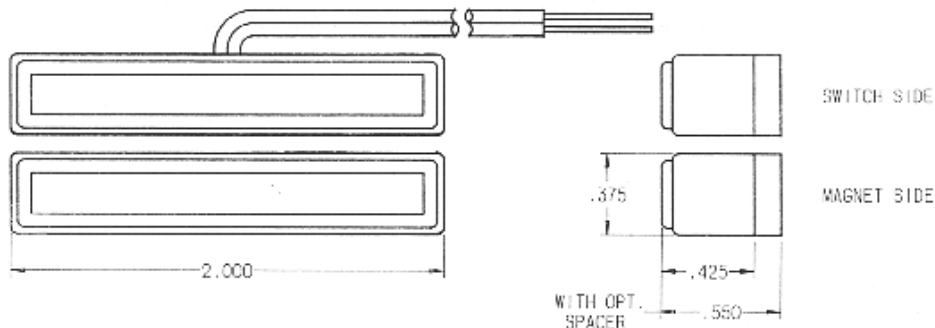
1100

- Lifetime Warranty
- Screw mount
- Available in closed loop, open loop and SPDT
- Standard gap 1" + gap
- Wide gap 1 1/2" + gap
- Standard 12" leads
- Longer leads, zip cord or jacketed cable on request
- Spacers and mounting hardware included
- Attractive cover for private labeling
- Built-in E.O.L. resistors and diodes available on request
- Switches or magnets are available separately
- Supervisory loops available

GRI's 1100 Series offers the installer convenience and versatility with its smaller size and attractive design allowing it to be used in both residential or commercial applications. With its Standard Gap of over 1" and a wide gap of 1 1/2", the 1100 gives even more options for usage.

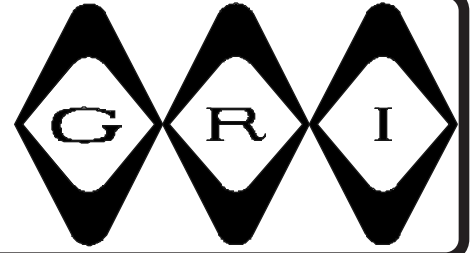
Packaged with one spacer, applicable mounting hardware, the 1100 also has a cover which gives a finished look to the installation, plus adds the option for private labeling.

| P/N | COLORS | MINI SURFACE MOUNT W/LEADS |
|----------|------------|---------------------------------------|
| 1100A | W,B,GW,B,G | Mini/Closed Loop/with Covers |
| 1100A-WG | W,B,G | Mini/Closed Loop/with Covers/Wide Gap |
| 1100B | W,B,G | Mini/Open Loop/with Covers |
| 1100B-WG | W,B,G | Mini/Open Loop/with Covers/Wide Gap |
| 1100C | W,B,G | Mini/SPDT/with Covers |
| 1100C-WG | W,B,G | Mini/SPDT/with Covers/Wide Gap |



1100A

MINIATURE SURFACE MOUNT SWITCH SET



1100 SERIES

- ◆ One Inch Plus Standard Gap
- ◆ Surface Mount Magnetic Contact For Residential and Light Commercial Applications
- ◆ Screw Mount ◆ 12" #22AWG Leads
- ◆ Longer Leads, Zip Cord or Jacketed Cable Upon Request
- ◆ Hermetically Sealed ◆ Plated Contacts Resist Sticking or Freezing
- ◆ Attractive Covers, Spacers, Double Stick Tape and Mounting Hardware Included
 - ◆ Built-in E.O.L. Resistors and Diodes Upon Request
- ◆ Supervisory Loops Upon Request ◆ Switches & Magnets Available Separately
 - ◆ Private Labeling Upon Request ◆ Colors: White, Brown, Gray
 - ◆ Lifetime Warranty



PART NUMBERS:

| | Closed Loop | Open Loop | SPDT |
|-------------------|--------------------|------------------|-------------|
| Standard Gap 1" + | 1100A | 1100B | 1100C |
| Wide Gap 1 1/2" + | 1100A-WG | 1100B-WG | 1100C-WG |

GEORGE RISK INDUSTRIES, INC.
GR.I. PLAZA
KIMBALL, NE 69145



MADE IN U.S.A.

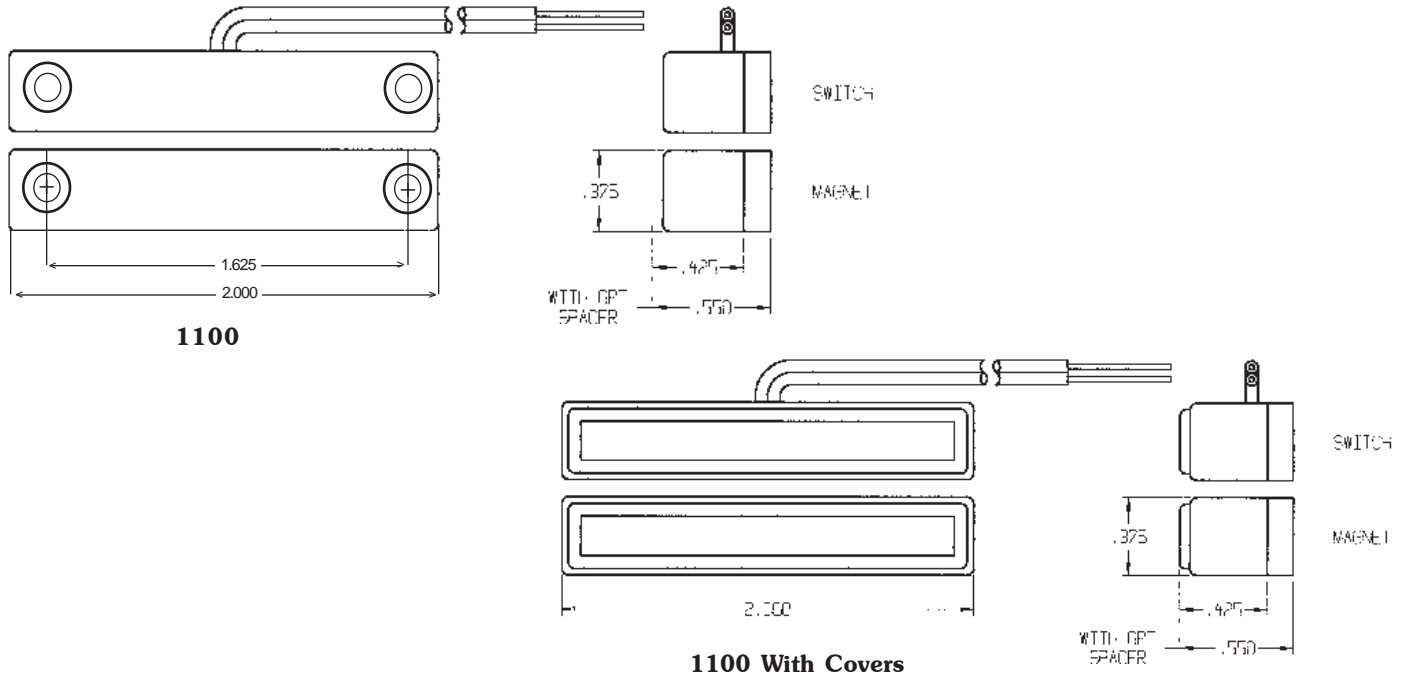
TOLL-FREE 1-800-445-5218
TOLL-FREE 1-800-523-1227
(308) 235-4645
FAX (308) 235-3561
E-MAIL: grisales@megavision.com
WEB SITE: www.grisk.com



MINIATURE SURFACE MOUNT SWITCH SET

INSTALLATION APPLICATIONS:

G.R.I.'s 1100 series offers the installer convenience and versatility with its smaller size and attractive design allowing it to be used in both residential or commercial applications. With its standard gap of over 1" and a wide gap of 1 1/2" +, the 1100 gives even more options for usage. Packaged with covers, spacers and applicable mounting hardware.



GRI products meet or exceed these minimum general specifications:

| PART NUMBER | LOOP TYPE | ELECTRICAL CONFIG. | REED FORM | MAXIMUM INITIAL CONTACT RESISTANCE (Ω) | MAXIMUM CONTACT RATING (W) | MAXIMUM SWITCHING VOLTAGE (VDC) | MAXIMUM SWITCHING CURRENT (A) |
|-------------|-------------|--------------------|-----------|--|----------------------------|---------------------------------|-------------------------------|
| 1100A | Closed | N/O | A | .150 | 10 | 200 | .500 |
| 1100AWG | Closed | N/O | A | .150 | 10 | 200 | .500 |
| 1100B | Open | N/C | B | .140 | 5 | 175VDC | .250 |
| 1100BWG | Open | N/C | B | .140 | 5 | 175VDC | .250 |
| 1100C | Open/Closed | SPDT | C | .140 | 5 | 175VDC | .250 |
| 1100CWG | Open/Closed | SPDT | C | .140 | 5 | 175VDC | .250 |

WARRANTY:

Lifetime warranty against workmanship, material and factory defects.

CONTACT YOUR G.R.I. DISTRIBUTOR OR CALL:

GEORGERISK INDUSTRIES, INC.
GRI PLAZA
KIMBALL, NE 69145



MADE IN U.S.A.

TOLL-FREE 1-800-445-5218
TOLL-FREE 1-800-523-1227
(308) 235-4645
FAX (308) 235-3561
E-MAIL: grisales@megavision.com
WEB SITE: www.grisk.com