

GV-TBL8804 AI 8MP H.265 Super Low Lux WDR Pro Full Color Warm LED IR

Bullet IP Camera



- AI deep learning: AI Perimeter Protection & Classification (Human, Vehicle)
- 1/2.7" progressive scan super low lux CMOS sensor
- Triple streams from H.265, H.264 or MJPEG
- Wide Dynamic Range Pro (WDR Pro)
- Min. illumination at 0.01 lux
- Up to 20 fps at 3480 x 2160
- Intelligent IR
- Day and night function (with removable IR-cut filter)
- Active Deterrence: alarm sound and warm LED light triggered on AI detection events
- IR distance up to 30 m (100 ft)
- Ingress protection (IP67)
- Built-in micro SD card slot (SD / SDHC / SDXC / UHS-I, Class 10) for local storage
- Built-in microphone and speaker
- Two-way audio
- DC 12V / PoE (IEEE 802.3af)
- ONVIF (Profile S, G, T, M) conformant

Introduction

The Bullet IP Camera is an outdoor, network camera equipped with an automatic IR-cut filter, one IR LED, and two warm LEDs for day and night surveillance. The camera supports H.265 video codec to achieve better compression ratio while maintaining high quality pictures at reduced network bandwidths. GV-TBL8804 adheres to IP67 standards, and can be powered through PoE.

GV-TBL8804 is a camera for active deterrence. By using built-in warm LEDs and alarm sound, it can deter intruders and prevent potential crime.

Empowered by deep learning algorithms, AI technology distinguishes human and vehicles from other moving objects. Integrated with GeoVision Video Management Software (VMS), it supports AI perimeter protection, real time alert, events playback and more.

Deep Learning Function

Face Detection



AI Perimeter Protection

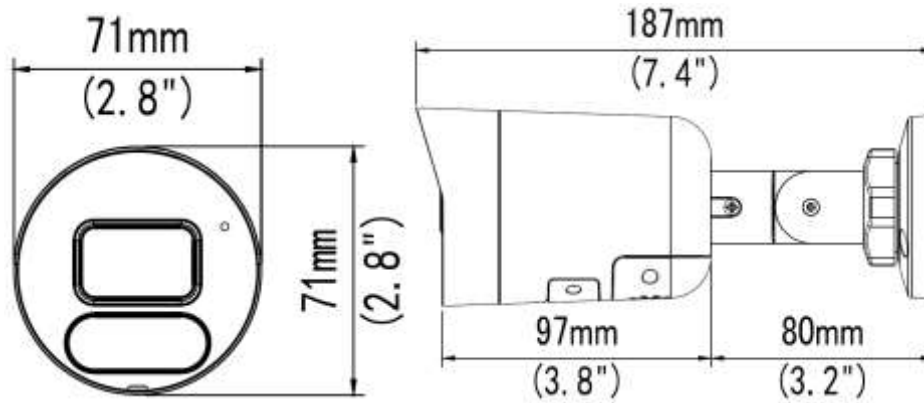
(Intrusion, Crossing Line
Entering Area, Leaving Area)



People Flow Counting



Dimensions



Specifications

Camera					
Image Sensor	1/2.7" progressive scan super low lux CMOS				
Picture Elements	3840 (H) x 2160 (V)				
Minimum Illumination	Color	0.01 Lux (F2.0, AGC ON)			
	IR ON	0 Lux			
Shutter Speed	Auto / Manual (1 ~ 1/100000 sec)				
White Balance	Auto / Manual				
Gain Control	Auto / Manual				
S/N Ratio	56 dB				
WDR Pro	Yes				
Dynamic Range	Up to 120 dB				
Lens					
Megapixel	8 MP				
Day / Night	Yes (with removable IR-cut filter)				
Lens Type	Fixed				
Focal Length	4 mm				
Maximum Aperture	F/2.0				
Mount	M12				
Horizontal FOV	86°				
Operation	Focus	Fixed			
	Zoom				
	Iris				
IR LED Quantity	1 IR LED				
Max. IR Distance	30 m (100 ft)				
Warm LED Quantity	2 warm LEDs				
Max. Warm LED Light Distance	20 m (65 ft)				
DORI		Detect	Observe	Recognize	Identify
Lens	4 mm	120 m (383.7 ft)	48 m (157.5 ft)	24 m (78.7 ft)	12 m (39.4 ft)
Operation					
Video Compression	H.265, H.264, MJPEG				
Video Streaming	Triple streams from H.265, H.264 or MJPEG				
Video Resolution	Main Stream	3840 x 2160 (Default), 2944 x 1656, 2560 x 1440, 1920 x 1080			
	Sub Stream	1280 x 720, 704 x 576, 704 x 288, 640 x 360 (Default), 352 x 288			
	Third Stream (Closed by Default)	704 x 576, 704 x 288, 640 x 360, 352 x 288			
Frame Rate	20 fps at 3840 x 2160, 25 fps at 2944 x 1656 / 2560 x 1440, 30 fps at 1920 x 1080 (60 / 50 Hz) *The frame rate and performance may vary depending on the number of connections and data bitrates (different scenes).				

Video Analytics	Motion Detection, Tampering Alarm, Audio Detection *Tampering Alarm, Audio Detection are only accessible through the camera's Web interface, which can be used to trigger alerts such as e-mail and FTP	
Image Setting	Brightness, Contrast, Saturation, Sharpness, Flicker-less, Image Orientation (Flip, Mirror, 0°, 90°, 180°, 270°-including Corridor format)	
Audio Compression	G.711	
Audio Support	Two-way Audio (built-in microphone and speaker)	
Deep Learning Function		
AI Analytics	Intrusion, Crossing Line, Entering Area, Leaving Area (Human & Vehicle classification), Face Detection, People Flow Counting, Crowd Density Monitoring	
Network		
Interface	10/100 Ethernet	
Protocol	802.1x, ARP, DHCP, DDNS, DNS, DynDNS, FTP, HTTP, HTTPS, ICMP, IGMP, IPv4, IPv6, NTP, RTCP, RTP, RTSP, SMTP, SNMP, TCP, UDP, UPnP, ONVIF (Profile S, G, T, M)	
Mechanical		
Temperature Detector	No	
Camera Angle Adjustment	Pan	0° ~ 360°
	Tilt	0° ~ 90°
	Rotate	0° ~ 360°
Connectors	Power	DC Jack (DC 12 V, 1.25 A), PoE
	Ethernet	RJ-45 connector
	Audio	Two-way (built-in microphone and speaker)
	Local Storage	Micro SD card slot (SD/SDHC/SDXC/UHS-I, Class 10) *UHS-II card types are not supported.
General		
Operating Temperature	-30°C ~ 60°C (-22°F ~ 140°F)	
Humidity	0 ~ 95% (no condensation)	
Power Source	12 V DC / PoE (IEEE802.3af)	
Max. Power Consumption	10.5 W	
Dimensions	187 × 71 × 71 mm (7.4" × 2.8" × 2.8")	
Weight	0.41 kg (0.99 lb)	
Ingress Protection	IP67	
Certification	CE, FCC, RoHS, UL compliant	
Web Interface		
Installation Management	Web-based configuration	
Maintenance	Firmware upgrade through Web Browser or GV-IP Device Utility	
Access from Web Browser	Live View, Video Recording, Change Video Quality, Bandwidth Control, Image Snapshot, Defog, Text Overlay, Image Masking	
Language	Czech, English, French, German, Italian, Russian, Traditional Chinese	
Software Application		
Software Supported	GV-VMS (V17.4.1 / V18.2.1), GV-DVR / NVR (V8.9.1), GV-Control Center (V3.8.0), GV-Recording Server / Video Gateway (V2.0.0), GV-Edge Recording Manager Win version (V2.0.0), GV-Redundant / Failover Server (V1.2.0)	
Smart Device Access	GV-Eye for iOS and Android	
Live Viewing	Browser (IE, Edge, Chrome), Mobile App	

Note:

1. The patch files are required for some of the supported software.
2. Do not use clothes or any ordinary material to clean the camera cover since they may result in scratches.
3. Specifications are subject to change without notice.

Packing List

1. GV-TBL8804 IR Bullet IP Camera
2. Waterproof Rubber Set
3. Screw Kit
4. Drill Template Paster
5. Download Guide

Accessories

Model No.	Name		Details
GV-Mount300-2 (must be used with GV-Mount504)	Convex Corner Mount		Dimensions: 137 x 233 x 160 mm (5.4" x 9.17" x 6.3") Weight: 1.65 kg (3.64 lb)
GV-Mount310-2 (must be used with GV-Mount504)	Concave Corner Mount		Dimensions: 111.2 x 369.9 x 210 mm (2.6" x 11.4" x 6.6") Weight: 1.65 kg (3.64 lb)
GV-Mount440 (must be used with GV-Mount504)	Pole Mount		Dimensions: 127 x 136 x 62.5 mm (5" x 5.35" x 2.46") Weight: 0.34 kg (0.75lb) Steel Strap Diameter: \varnothing 67 ~ 127 mm (\varnothing 2.6" ~ 5")
GV-Mount504	Wall Mount Bracket		Dimensions: \varnothing 104.4 x 54.5 mm (\varnothing 4.11" x 2.15") Weight: 0.36 kg (0.79 lb)
GV-PA191	Power over Ethernet (PoE) Adapter		GV-PA191 is a Power over Ethernet (PoE) adapter designed to provide power to the IP device through a single Ethernet cable.
GV-POE Switch			GV-POE Switch is designed to provide power along with network connection for IP devices. GV-POE Switch is available in various models with different numbers and types of ports.
Power Adapter			Contact our sales representatives for the countries and areas supported.