

Quick Start Guide

HD Analog Cameras



- UA-CB550F3
- UA-CR200F2, CR510F2
- UA-CR250F2, CR550F2

Before attempting to connect or operate this product,
please read these instructions carefully and save this manual for future use.

UVSANALOG-QG-A



© 2022 USA Vision, Inc. All rights reserved.

Under the copyright laws, this manual may not be copied, in whole or in part, without the written consent of USA Vision.

Every effort has been made to ensure that the information in this manual is accurate. USA Vision makes no expressed or implied warranty of any kind and assumes no responsibility for errors or omissions. No liability is assumed for incidental or consequential damages arising from the use of the information or products contained herein. Features and specifications are subject to change without notice.

USA Vision Systems Inc.

9301 Irvine Blvd,

Irvine, CA 92618, USA

Tel: +1-949-421-5910

Fax: +1-949-583-152

<https://www.geovision.com.tw/us/>

October 2022

Scan the following QR codes for product warranty and technical support policy:



[Warranty]

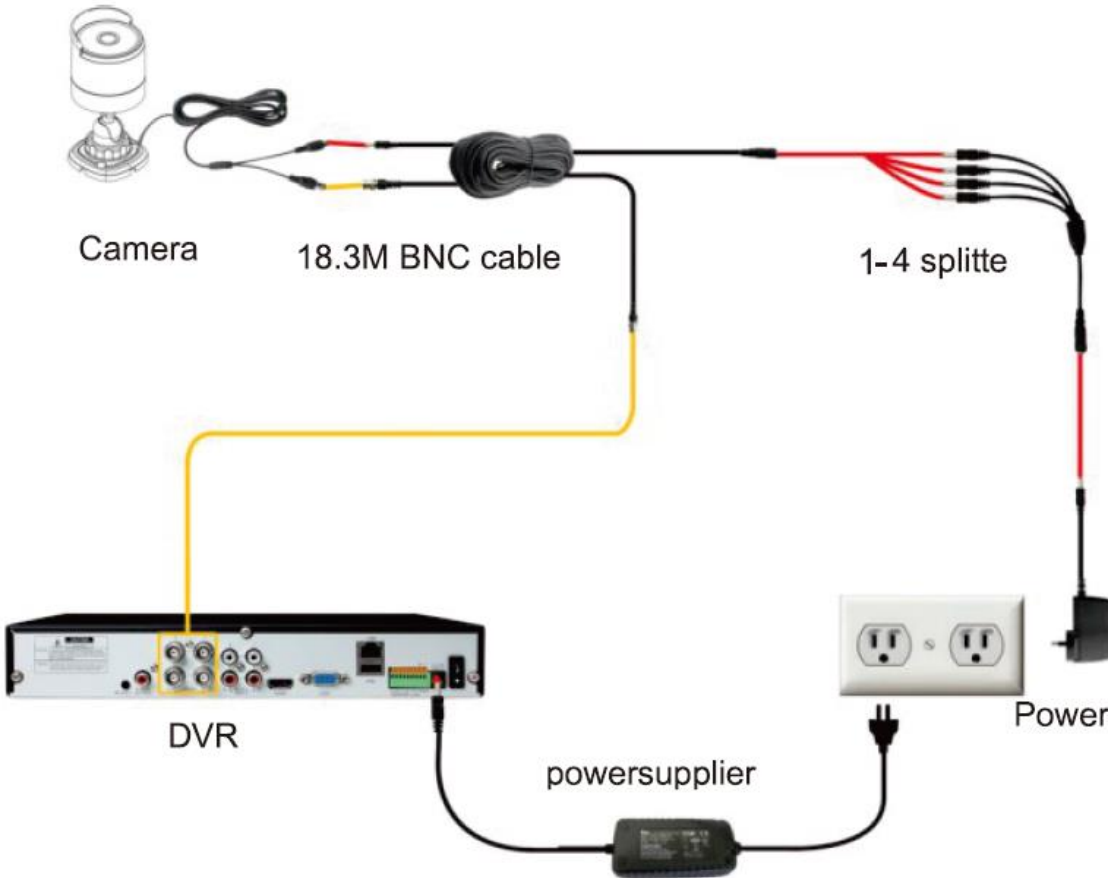


[Technical Support Policy]

Contents

1. Connection Diagram	1
2. Installation	2
2.1 Bullet Camera Installation	2
2.2 Dome Camera Installation	3
2.3 Vandal Proof Dome Camera Installation	6
3. Optional Installation	8
3.1 Wall Mounting with UA-Mount215	8
3.2 Wall Mounting with UA-Mount505	12
3.3 Power Box Mounting with UA-Mount922	16

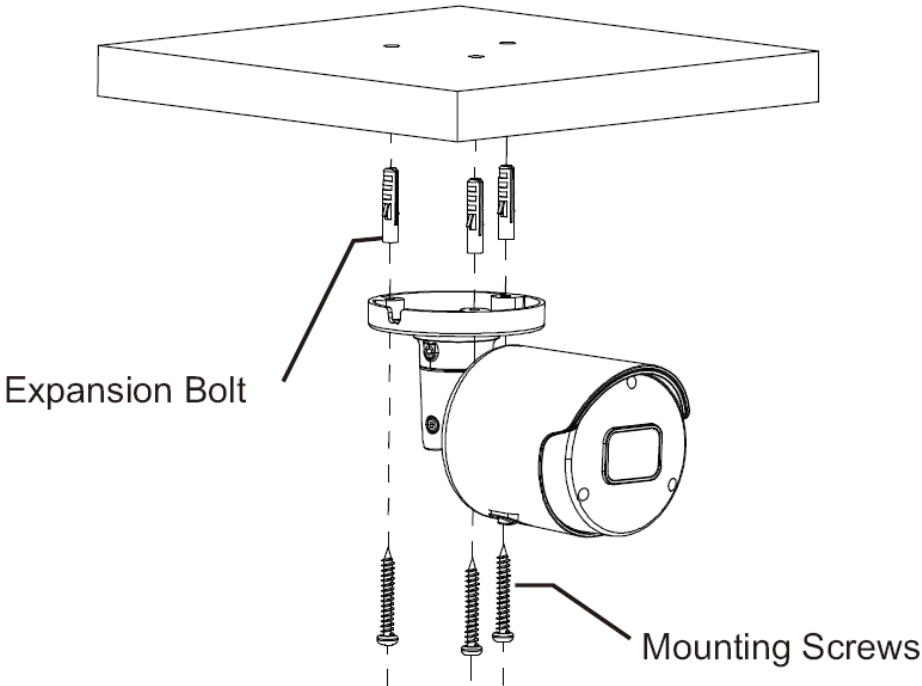
1. Connection Diagram



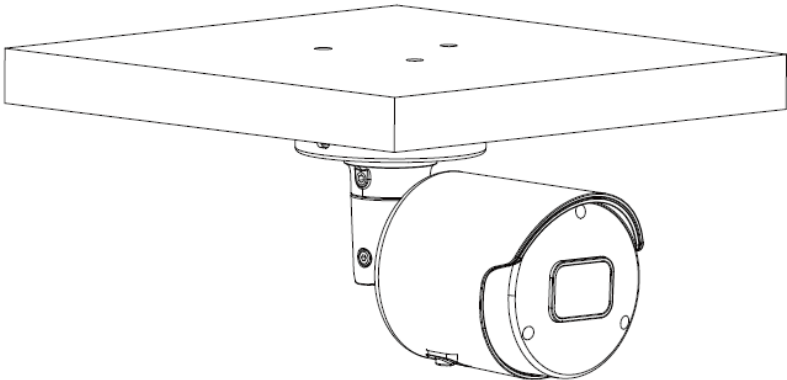
2. Installation

2.1 Bullet Camera Installation

Ceiling Mounting



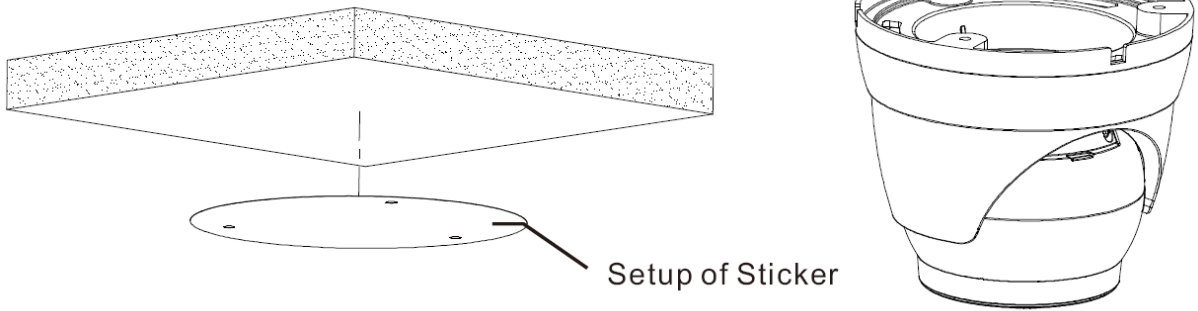
Insert three expansion bolts in place into the ceiling and fix the equipment with three mounting screws.



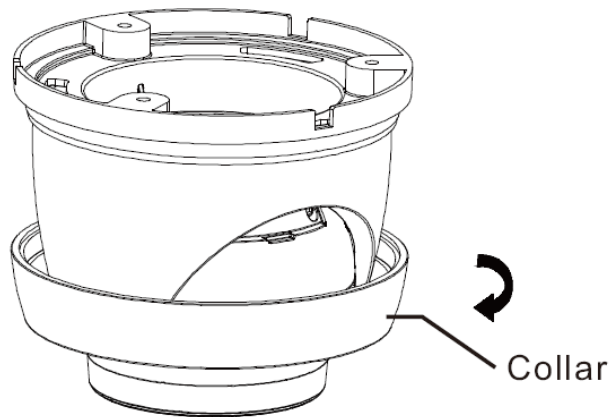
Completion of Installation

2.2 Dome Camera Installation

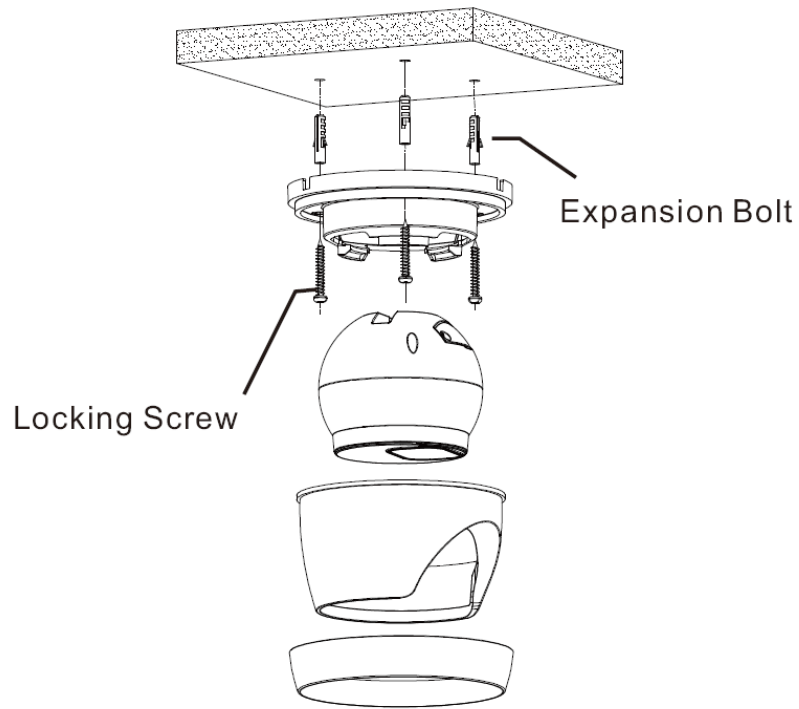
Ceiling Mounting



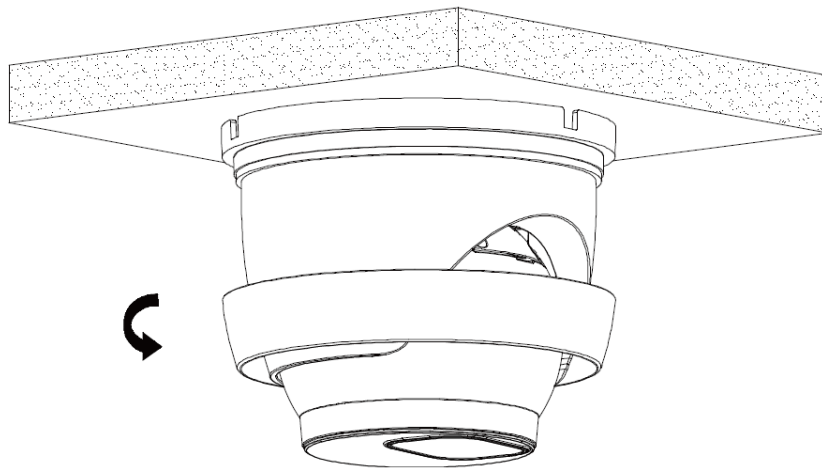
Paste the sticker in place at the proper position as selected.



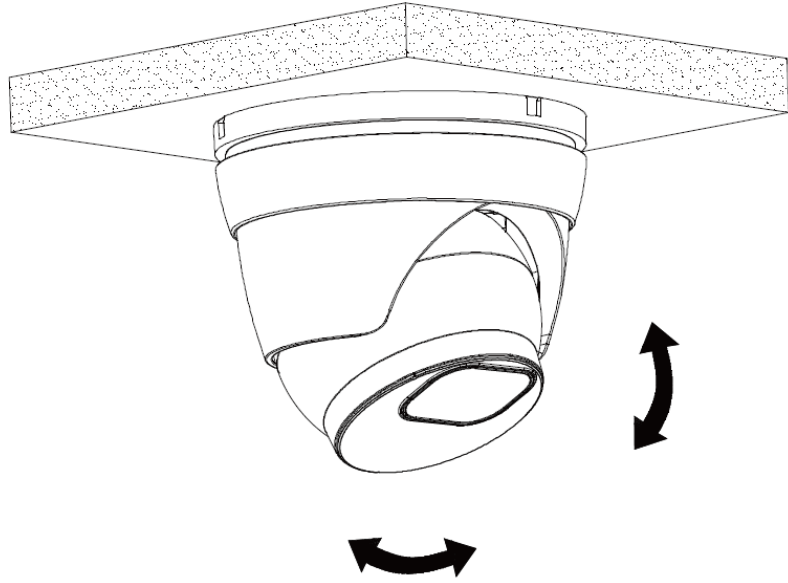
Remove the collar off the camera by rotating it down.



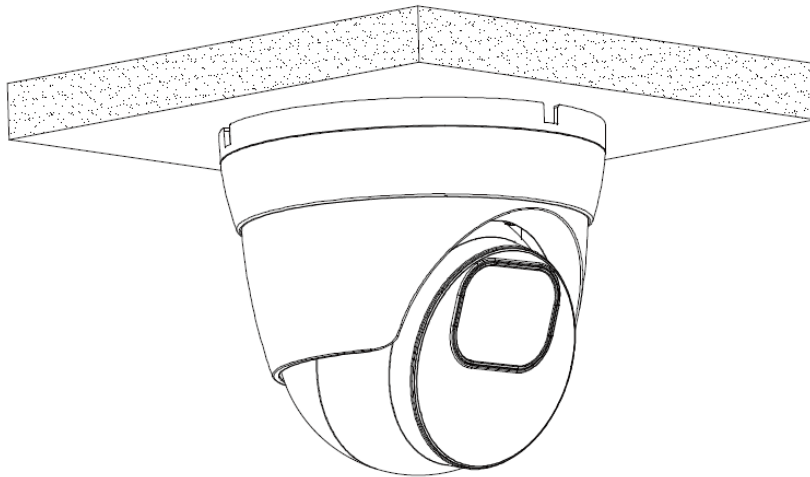
Fix the pedestal by drilling locking holes around the sticker and inserting three expansion bolts into the holes and fastening it with three locking screws.



Mount the collar back by rotating it up.



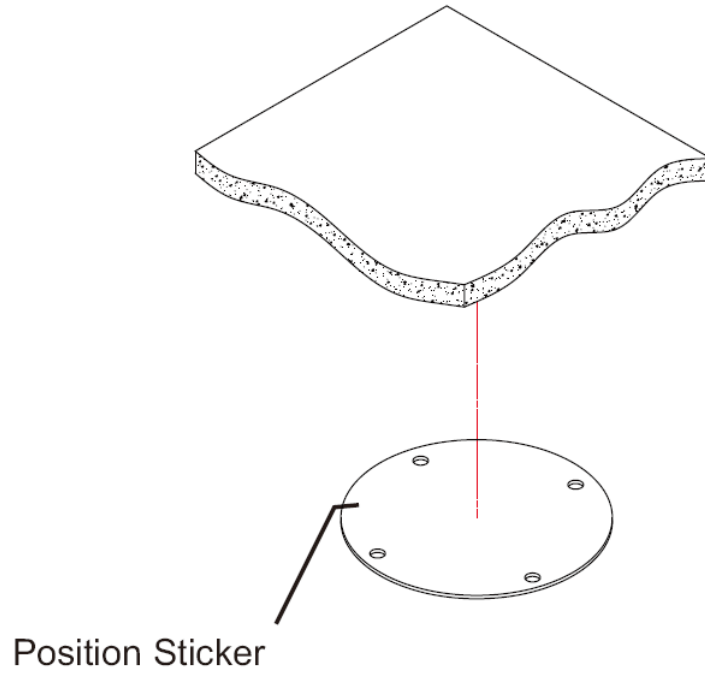
Adjust it to an appropriate angle.



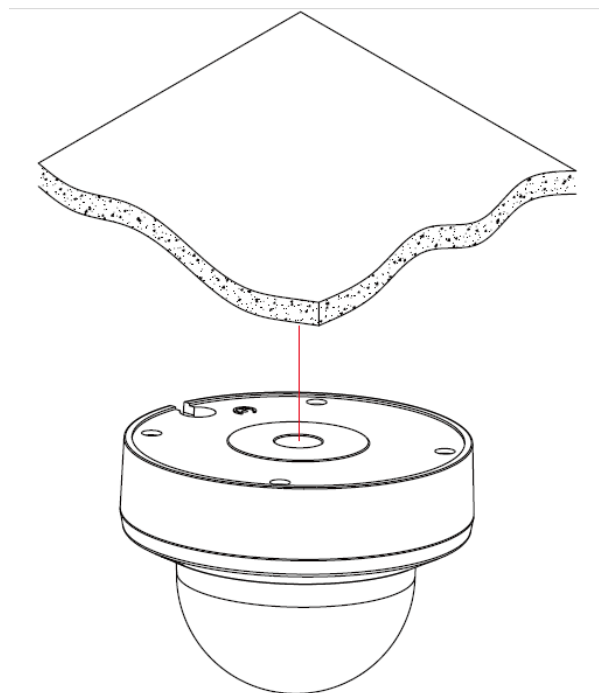
Complete of Installation

2.3 Vandal Proof Dome Camera Installation

Ceiling Mounting

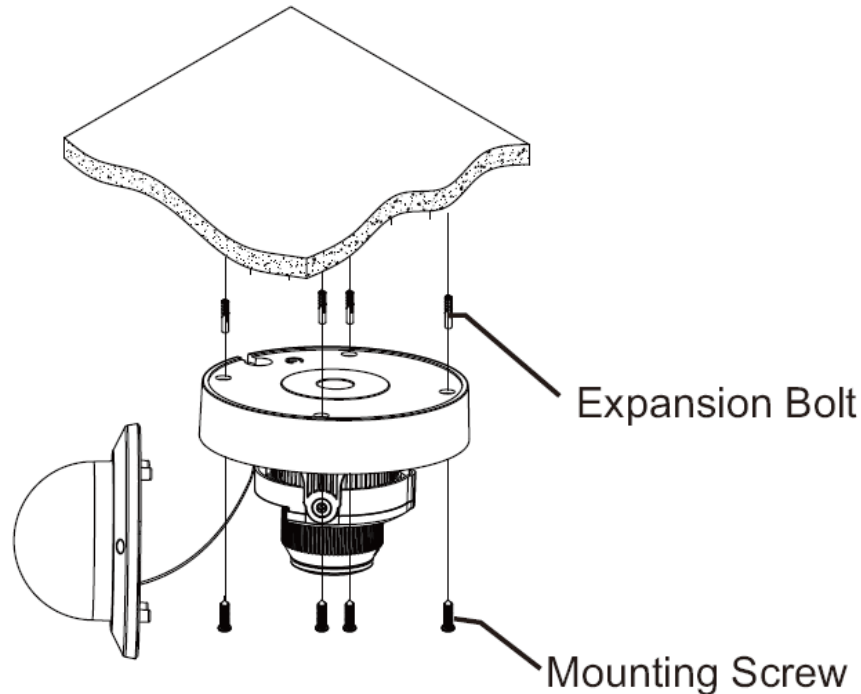


Apply the position sticker to the desired camera mounting position.

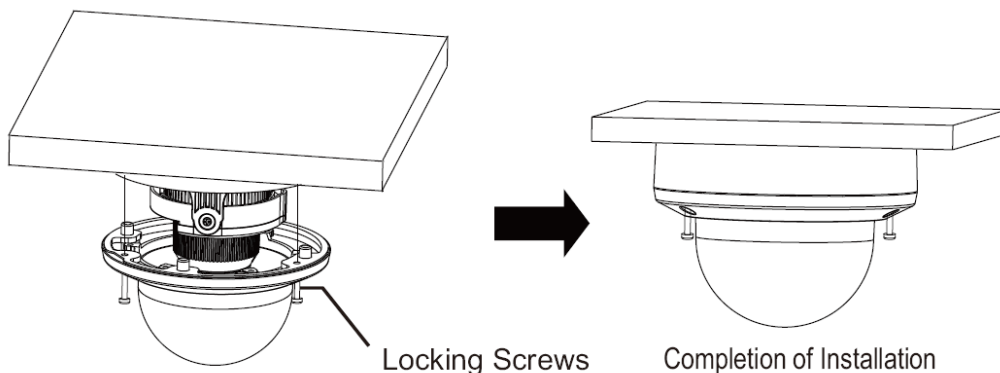


Cover Component

Remove the cover component by loosening the three locking screws with the included hex wrench.



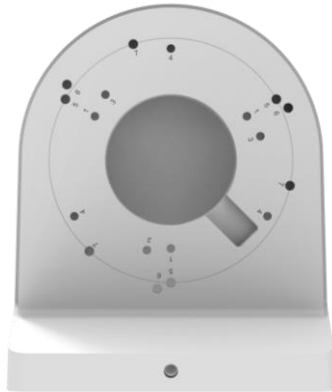
Use the position indicated on the position sticker to drill the holes needed to mount the camera base. Insert the expansion bolt into the holes. Match the base's mount openings to the expansion bolts position, and then place the mounting screws through the base's mount opening into the expansion bolt. Tighten the mounting screws to ensure the camera base mounted securely.



- Place the cover component back onto the base.
- Please make sure the locking screw position on the cover component matches the locking post on the base.
- Tighten the locking screws after the cover component is in the correct position.

3. Optional Installation

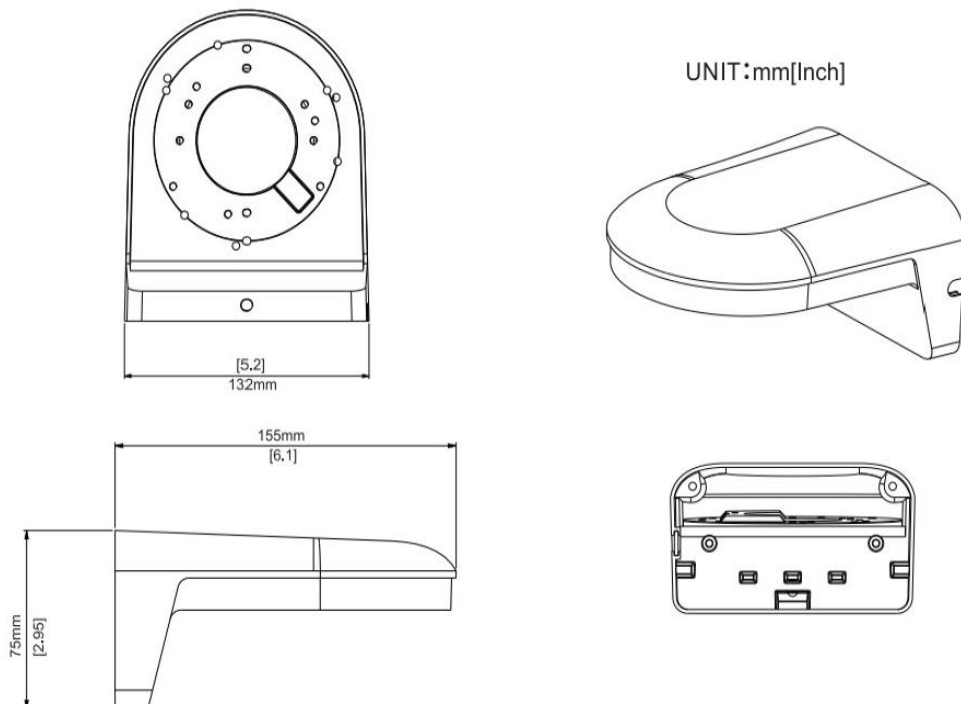
3.1 Wall Mounting with UA-Mount215



Packing List

1. UA-Mount215	2. Short screw (8 mm) x 4
3. Allen wrench x 1	4. Long screw (25 mm) x 4
5. Colloidal particle x 4	6. Drill template paster

Dimension

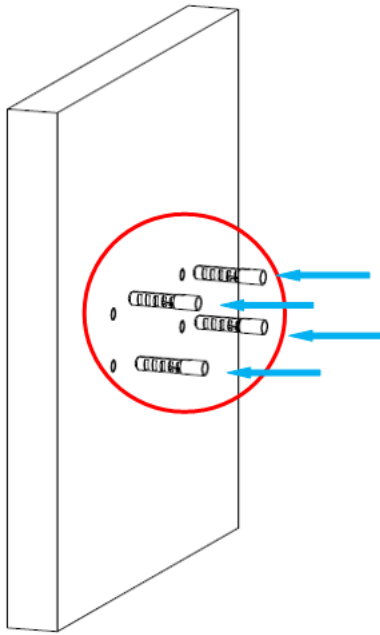


Applicable Models:

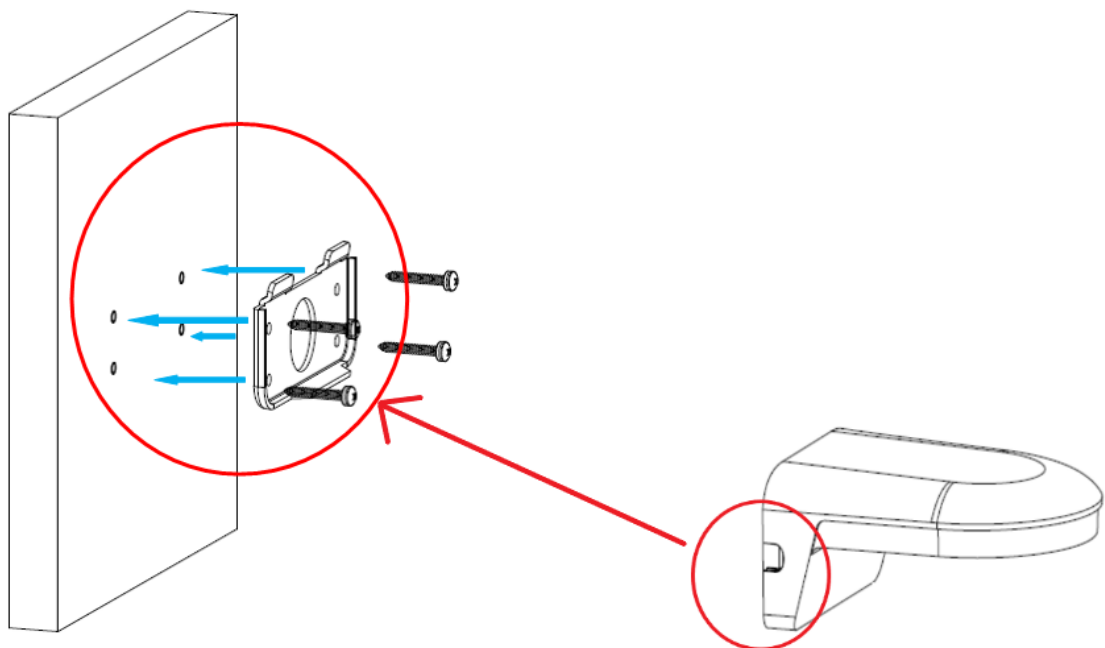
UA-CR200F2 / CR250F2 / CR510F2 / CR550F2

UA-Mount215 Installation

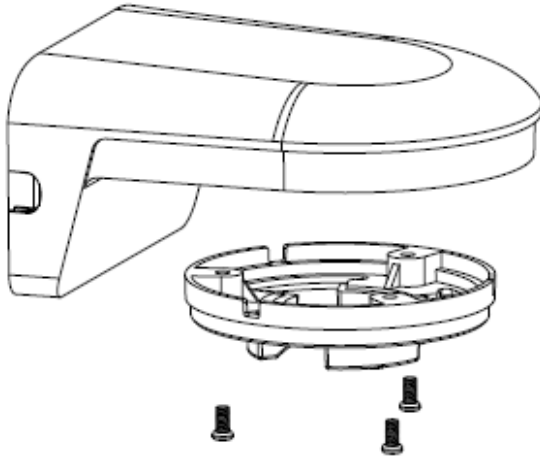
1. Drill holes according to the drill template paster on the wall and insert the colloidal particles.



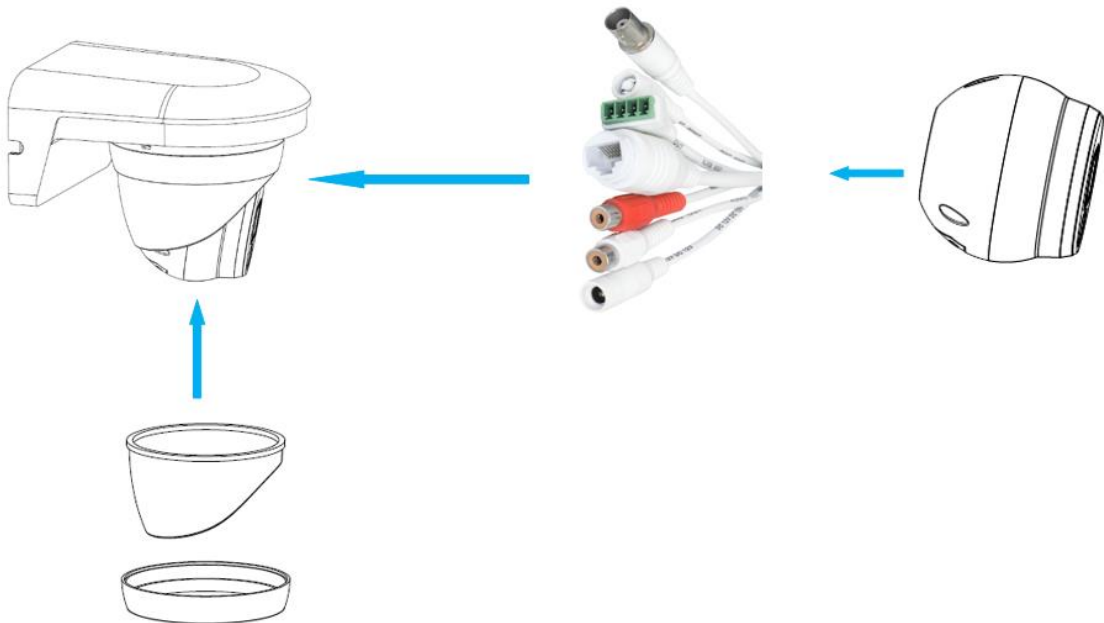
2. Secure the bottom plate of UA-Mount215 on the wall using the supplied screws.



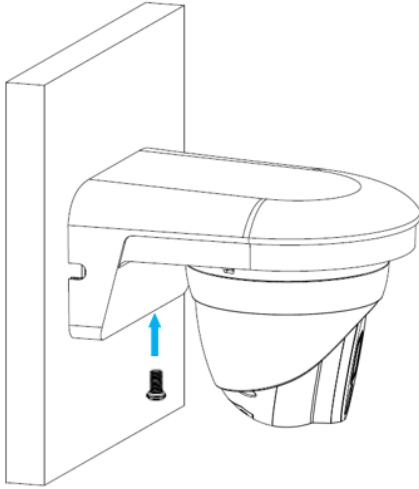
3. Fix the camera's collar onto UA-Mount215 with supplied screws.



4. Thread the camera's cables inside UA-Mount215 and mount the whole camera onto UA-Mount215.



5. Connect the cables from the side hole of UA-Mount215 and tighten the bottom screw to complete the installation.



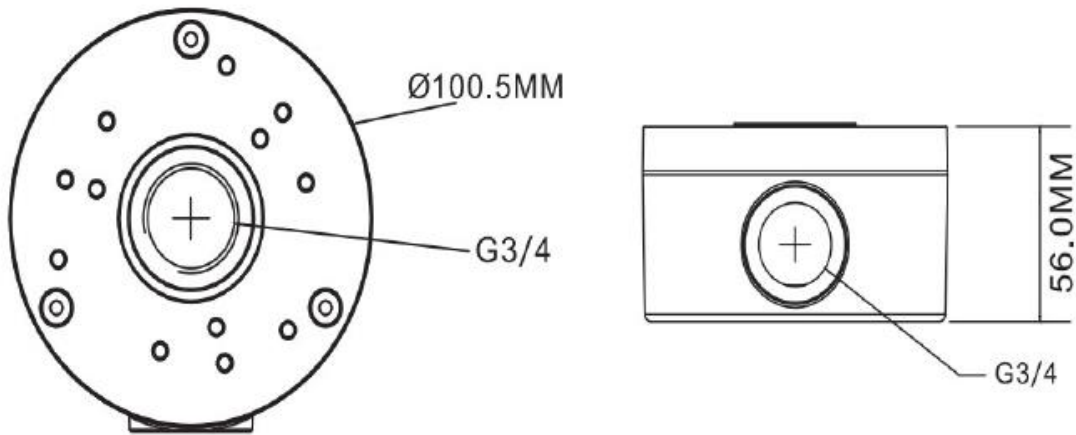
3.2 Wall Mounting with UA-Mount505



Packing List

1. UA-Mount505	2. Short screw (8 mm) x 3
3. Long screw (35 mm) x 3	4. Colloidal particle x 3
5. Allen wrench x 1	6. Screw waterproofing ring x 3
7. Waterproof joint rubber ring x 1	8. Waterproof connector x 1
9. Dill template paster	10. Installation instruction

Dimension

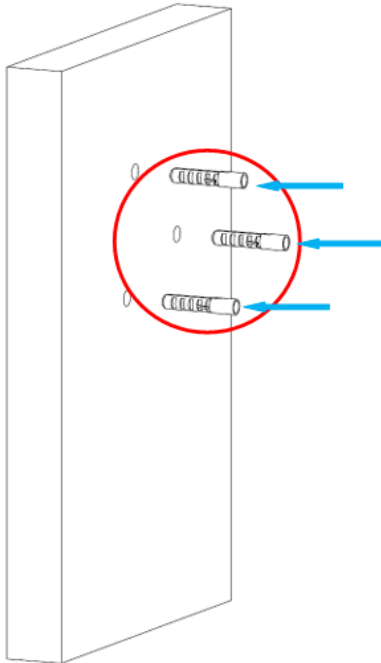


Applicable Models:

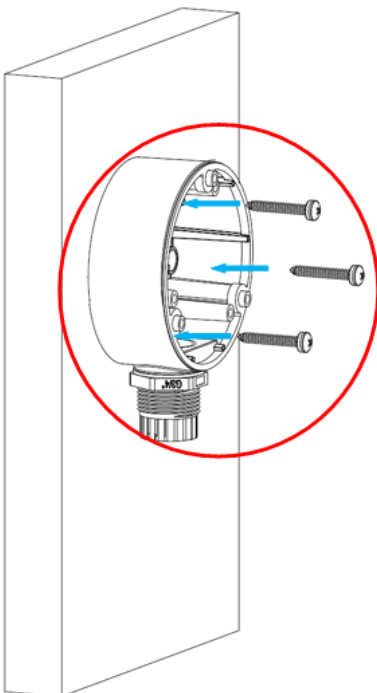
UA-CB550F3 / CR200F2 / CR250F2 / CR510F2 / CR550F2

UA-Mount505 Installation

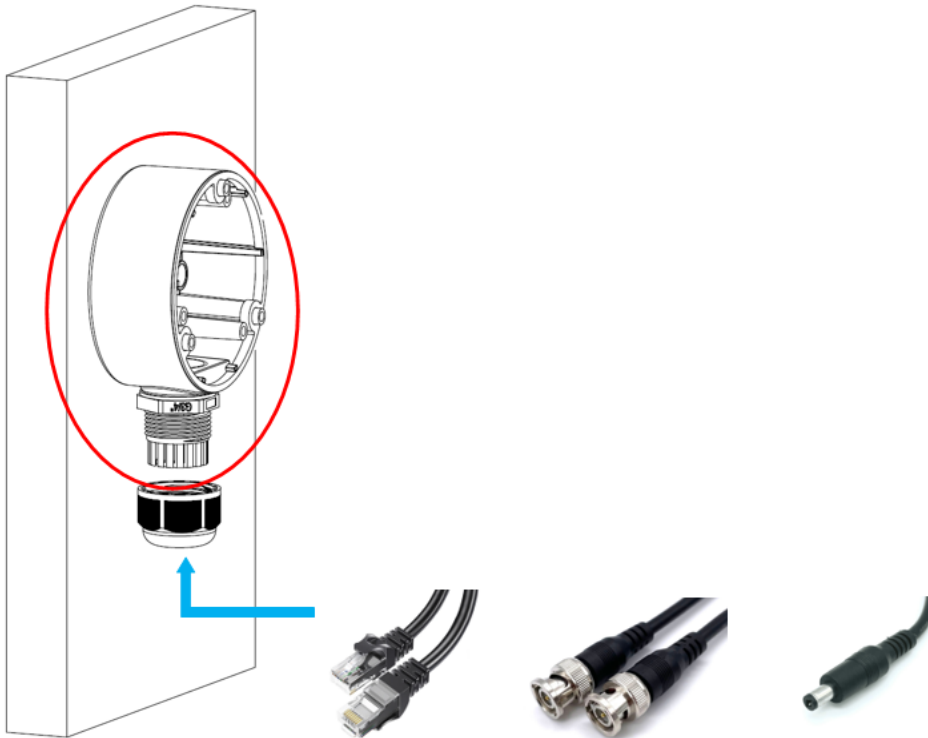
1. Drill holes according to the drill template paster on the wall and insert the colloidal particles.



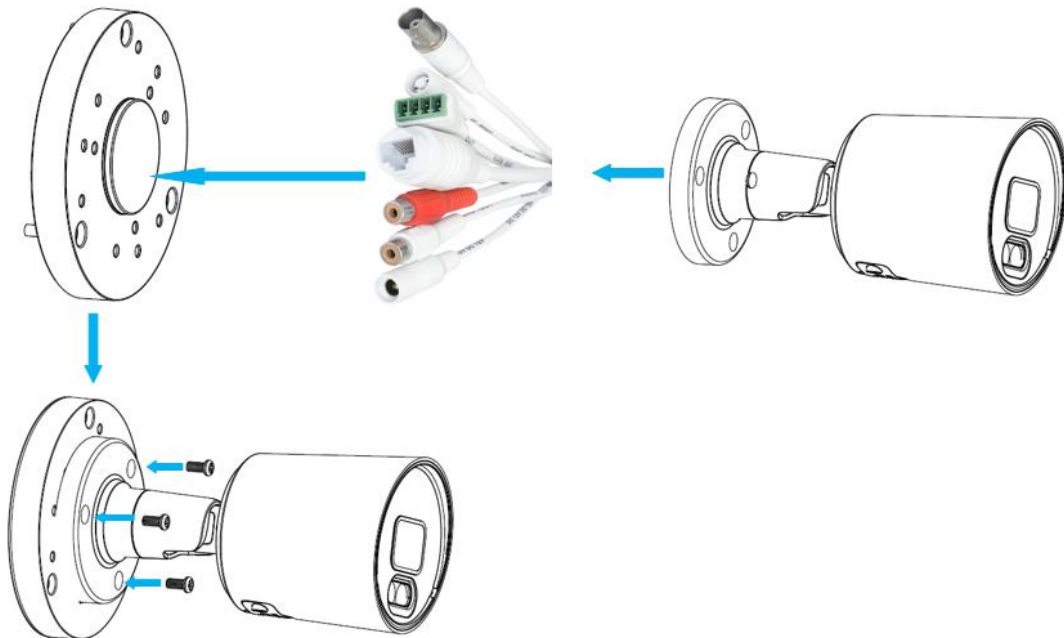
2. Secure the bottom of UA-Mount505 on the wall using the supplied screws.



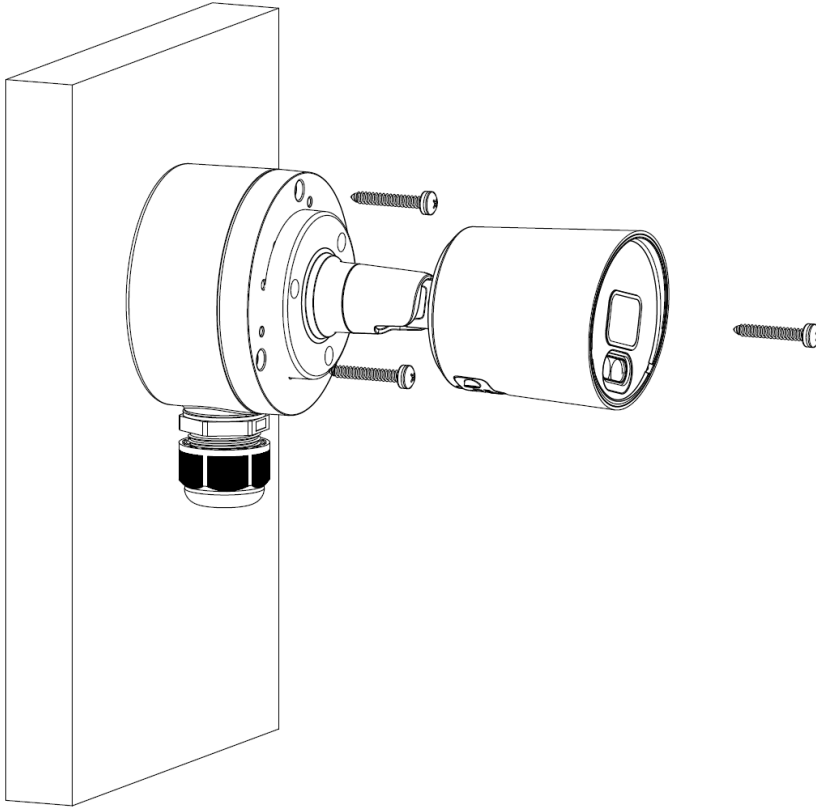
3. Thread the necessary cables from the bottom hole of UA-Mount505.



4. Connect the camera's cables inside UA-Mount505 and fix the camera onto the upper part of UA-Mount505 using the supplied screws.



5. Assemble UA-Mount505 to complete the installation.

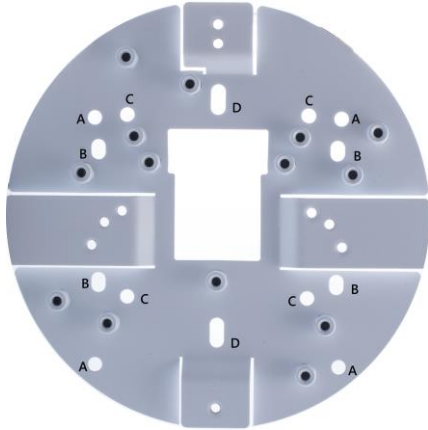


Applicable Models:

UA-CB550F3 / CR200F2 / CR250F2 / CR510F2 / CR550F2

UA-Mount922 Installation

- Secure UA-Mount922 to the power box with the supplied screws. Depending on the type of power box, use the holes indicated with the corresponding letter:



Type of Power Box	Hole
4" Square	A
Double Gang	B
4" Octagon	C
Single Gang	D

- Secure the camera to UA-Mount922 with the supplied screws. Use the holes indicated in the table below to align the camera.

UA-CB550F3	UA-CR200F2 / CR250F2 / CR510F2 / CR550F2