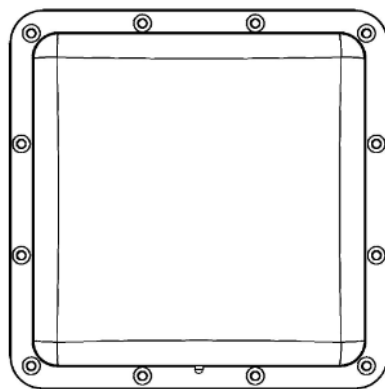


## GV-RU9003 UHF RFID Reader



### Overview

Reader正面  
Front



LED在裝置的下方  
( LED is under Reader. )

天線面  
Antenna Source



## Packing List

1. GV-RU9003
2. L-Bracket
3. Fixed-clamp
4. U-clip
5. Screws x 4
6. DC Jack Power Cable
7. Installation Guide
8. Warranty Card

**Note:** If any of these items is found missing or damaged, please contact your local supplier for replacement.

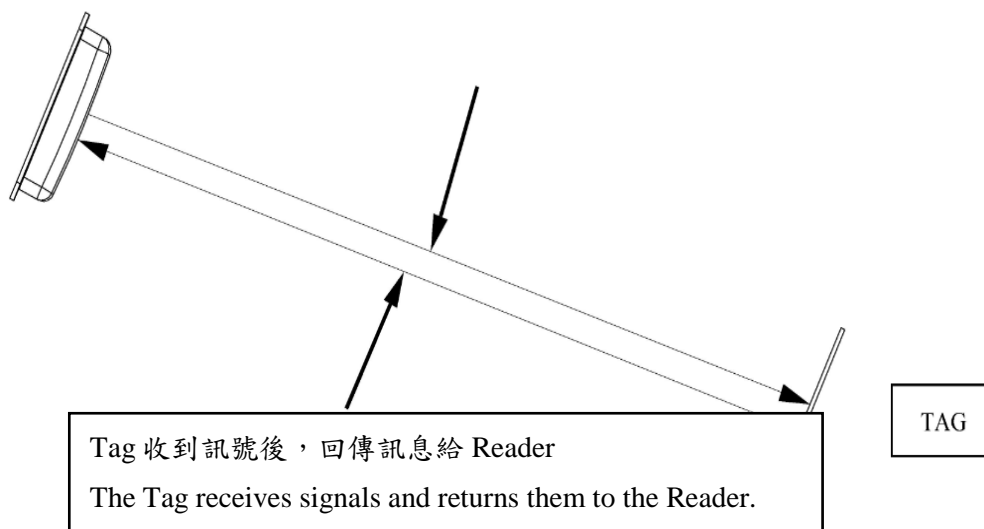
## Installing GV-RU9003

**Note:** 以下圖示，無線射頻辨識讀取器的 LED 皆位於下方

For the diagrams listed below, the LED indicator locates at the lower part of UHF RFID Reader.

1. 無線射頻辨識讀取器架設的角度，最好與標籤(Tag)配置的角度，沿空間直線面對面，有較佳的讀取效果

Install the RFID reader with the antenna paralleled to the Tag for better reading results.



2. 標籤擺放與無線射頻辨識讀取器相對關係，如下圖所示  
Install the RFID Reader and the Tag as shown below.



正確  
Correct

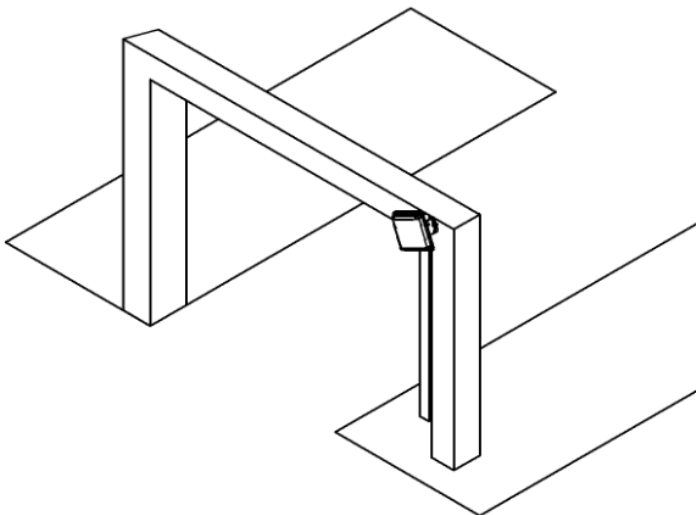


錯誤  
Misplaced

3. 無線射頻辨識讀取器架設位置  
RFID Reader installation position

3.1 架設無線射頻辨識讀取器，請注意周圍環境不要有金屬物質，以免電磁波破壞場型，影響讀取距離。

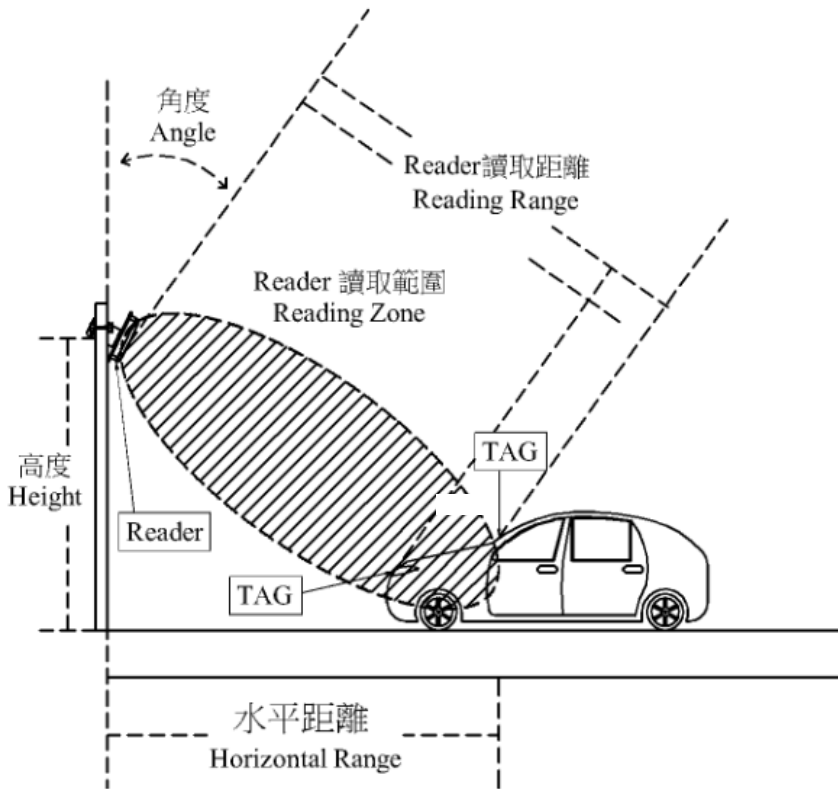
Do not install RFID Reader near metal or the metallic substance will affect the electromagnetic field type.



- 3.2 無線射頻辨識讀取器架設高度建議為 1.8~2.2 公尺，最低不可低於標籤高度  
Recommended height to set RFID reader is 1.8 ~ 2.2 m (5.9 ~ 7.2 ft). The height should not be lower than the location of RFID Tag.

3.3 無線射頻辨識讀取器架設角度建議為 15-20 度。依實際安裝現場修訂。  
Recommended angle to set RFID reader is 15-20 degree. Adjust the angle according to the actual installation site.

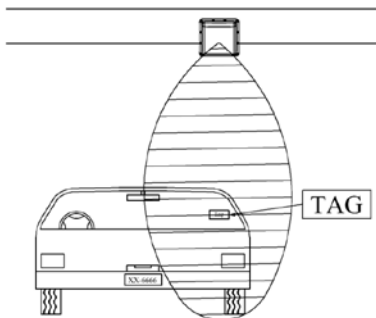
3.4 無線射頻辨識讀取器與標籤之間的空間直線範圍內，不能有遮蔽物。  
Keep any barrier away from the reading zone between RFID Reader and the Tag.



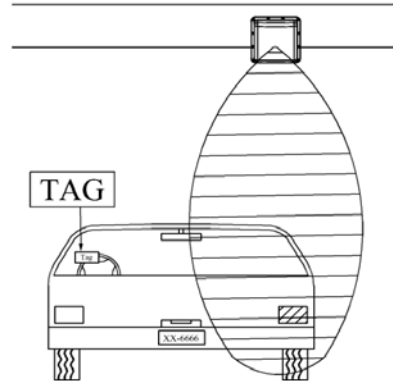
4. 無線射頻辨識讀取器必須架設於與標籤位置同一側，或是與標籤最近距離。  
The RFID Reader must be installed at same side of the Tag or at the nearest reading range to the Tag.

4.1 架設於上方

Upper Installation

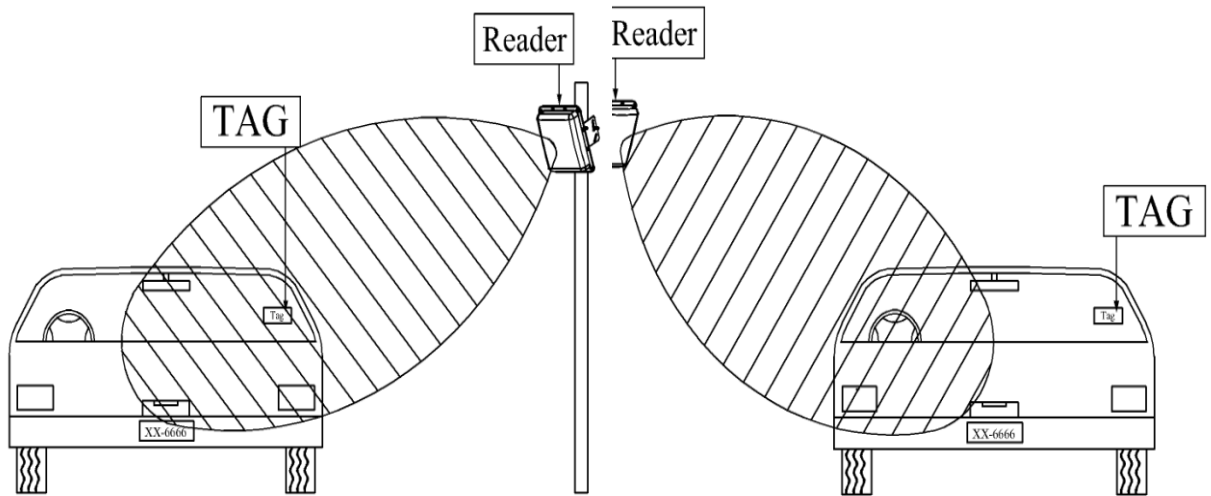


正確架設  
Proper



不當架設  
Improper

4.2 架設於側邊  
Side Installation



正確架設  
Proper

不當架設  
Improper

5. 標籤建議置放位置  
Recommended Tag Position

汽車：

Vehicles

5.1 建議置放於前擋風玻璃或是車燈處，且靠近無線射頻辨識讀取器近側

Place the tag on the front windshield or headlight, at the nearest reading range to the reader.

5.2 置放車燈處標籤，切勿靠近金屬車體

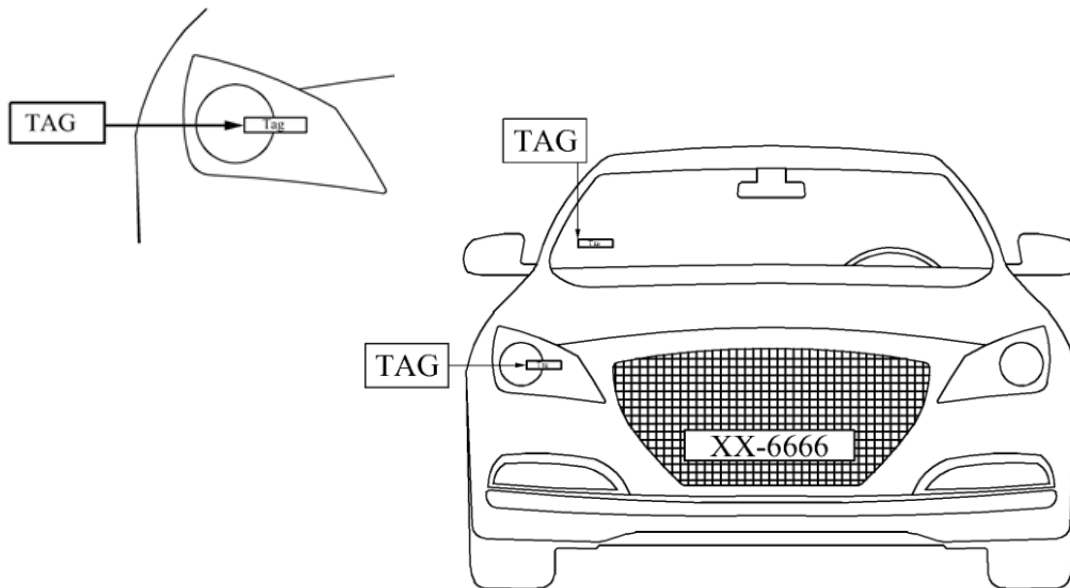
When placing the Tag on the headlight, keep the Tag away from the metal body of the vehicle.

5.3 有些汽車的前擋風玻璃會含金屬絲成分，會影響讀取距離，請改安置於車燈處

If the car windshield glass contains metallic line, it will affect the reading range. To avoid such situation, install the Tag on the headlight.

5.4 有些隔熱紙含金屬成分，會影響讀取距離，請改安置於車燈處

Windshield insulation films that contain metal ingredients will affect the reading range. To avoid such situation, install the Tag on the headlight.



機車：

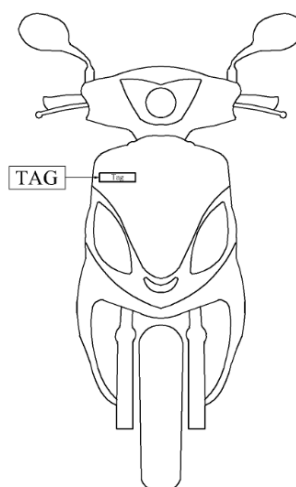
Motorcycles

5.5 建議置放於車體前斜板(前盾)處，且靠近無線射頻辨識讀取器近側

Install the Tag on the front shield and at the closest range to the RFID Reader.

5.6 如無前斜板，請考慮其他塑膠車體處，且靠近無線射頻辨識讀取器近側

If there is no front shield available, it is suggested to install the Tag on the plastic body of motorcycle at the closest range to the RFID Reader.



6. 手會影響標籤讀取的效能，因此用手拿卡片式標籤，務必注意拿的方式  
For card-type tags, hold the card as shown below to ensure reading results.

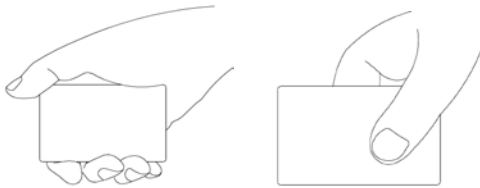
正確

Correct



錯誤

Misplaced



7. 注意事項：

Notice

- 7.1 建議架設完畢，最好能再重新環境參數調校一次，會有較佳的效果

When the installation is complete, examine and adjust the environment parameters again for better reading results.

- 7.2 雨天會縮短無線射頻辨識讀取器與標籤間的空間感測距離

Reading range between RFID Reader and the Tag will be shorten on rainy days.

- 7.3 兩台以上無線射頻辨識讀取器架設時須考慮同頻干擾的問題，因此架設距離最好5倍的有效距離遠或是利用分頻將頻率錯開，避免干擾

When two or more RFID Readers are installed together, co-channel interference might occur. To avoid interference, place the readers away from each other at a distance 5 times the effective reading range or set the readers to separate frequency channels.

- 7.4 使用電源需注意是否有電源干擾的問題，如有可使用電源濾波器濾除電源雜訊

When using the power supply, check if there is an interference problem. If yes, use the filter to attenuate the power supply noise.