

GV-EBD2704 2MP H.265 Low Lux WDR Pro IR Eyeball IP Dome



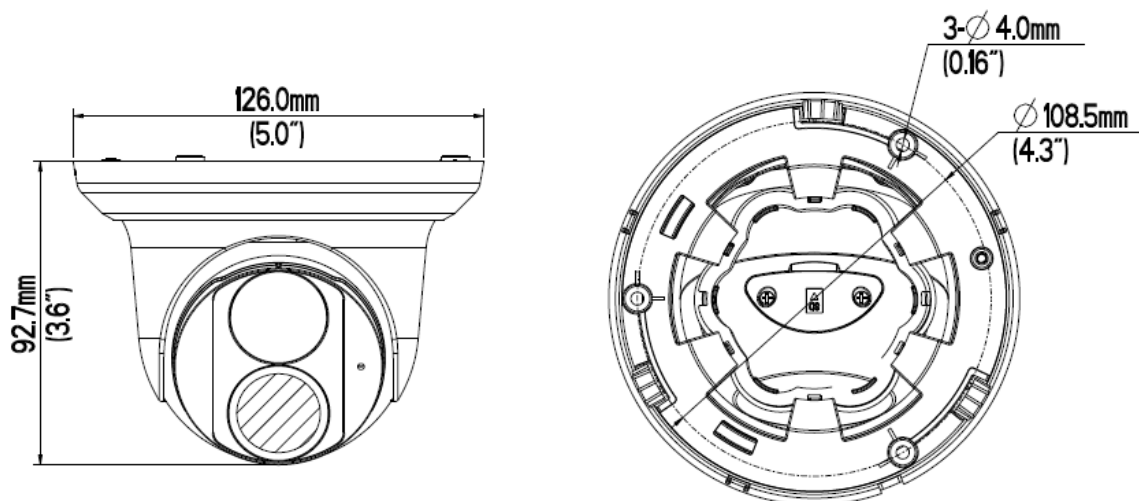
- 1/2.7" progressive scan low lux CMOS sensor
- Min. illumination at 0.01 lux
- Dual streams from H.265, H.264 or MJPEG
- Up to 30 fps at 1920 x 1080
- Day and night function (with removable IR-cut filter)
- 3-axis mechanism (pan / tilt / rotate)
- Intelligent IR
- IR distance up to 30 m (100 ft)
- Built-in microphone
- Built-in micro SD card slot (SD / SDHC / SDXC / UHS-I) for local storage
- Wide Dynamic Range (WDR Pro)
- Ingress protection (IP67)
- DC 12V / PoE (IEEE 802.3af)
- Defog
- 3D noise reduction
- Motion detection
- Text overlay
- Privacy mask
- 12 languages supported
- ONVIF (Profile G, S, T) conformant

***No memory card slots & local storage function for Argentina**

Introduction

EBD2704 is an outdoor, network camera equipped with an automatic IR-cut filter and an IR LED for day and night surveillance. The camera adheres to IP67 standards. The camera supports H.265 video codec to achieve better compression ratio while maintaining high quality pictures at reduced network bandwidths. With its WDR Pro, it can process scenes with contrasting intensity of lights and produce clear image.

Dimensions



Specifications

Camera						
Image Sensor		1/2.7" progressive scan low lux CMOS				
Picture Elements		1920 (H) x 1080 (V)				
Minimum Illumination	Color	0.01 Lux (F2.0, AGC ON)				
	IR ON	0 Lux				
Shutter Speed		Auto / Manual (1 ~ 1/100,000 sec)				
White Balance		Auto / Manual				
Gain Control		Auto / Manual				
S/N Ratio		52 dB				
WDR Pro		Yes				
Dynamic Range		Up to 120 dB				
Lens						
Megapixel		Yes				
Day / Night		Yes (with removable IR-cut filter)				
Lens Type		Fixed				
Focal Length		2.8 mm				
Maximum Aperture		F/2.0				
Mount		M12				
Horizontal FOV		113°				
Operation	Focus	Fixed				
	Zoom					
	Iris					
IR LED Quantity		1 IR LED				
Max. IR Distance		30 m (100 ft)				
DORI		Detect	Observe	Recognize	Identify	
Lens		2.8 mm	42 m (137.8 ft)	16.8 m (55.1 ft)	8.4 m (27.6 ft)	4.2 m (13.8 ft)
Operation						
Video Compression		H.265, H.264, MJPEG				
Video Streaming		Dual streams from H.265, H.264 or MJPEG				
Video Resolution	Main Stream	1920 x 1080 (Default), 1280 x 720				
	Sub Stream	1280 x 720, 720 x 576, 704 x 288, 640 x 480, 640 x 360 (Default), 352 x 288				
Frame Rate		30 fps at 1920 x 1080 (60 / 50 Hz) * The frame rate and performance may vary depending on the number of connections and data bitrates (different scenes).				
Video Analytics		Motion Detection, Tampering Alarm, Audio Detection, Crossing line, Intrusion *Tampering Alarm, Audio Detection, Cross Line, and Intrusion are only accessible through the camera's Web interface, which can be used to trigger alerts such as e-mail and FTP				
Image Setting		Brightness, Contrast, Saturation, Sharpness, Flicker-less, Image Orientation (Flip, Mirror, 0°, 90°, 180°, 270°-including Corridor format)				
Audio Compression		G.711				
Audio Support		One-way Audio				
Network						
Interface		10/100 Ethernet				
Protocol		802.1x, ARP, DHCP, DDNS, DNS, DynDNS, FTP, HTTP, HTTPS, ICMP, IGMP, IPv4, NTP, PPPoE, QoS, RTCP, RTP, RTSP, SMTP, SNMP, TCP, UDP, UPnP, ONVIF (Profile G, S, T)				
Mechanical						
Temperature Detector		No				
Camera Angle Adjustment	Pan	0° ~ 360°				
	Tilt	0° ~ 90°				
	Rotate	0° ~ 360				
Connectors	Power	DC Jack (DC 12 V, 1.25 A), PoE				
	Ethernet	RJ-45 connector				
	Audio	1 In (built-in microphone)				
	Local Storage	Micro SD card slot (SD / SDHC / SDXC / UHS-I, Class 10) *UHS-II card type is not supported.				

General	
Operating Temperature	-30 °C ~ 60 °C (-22 °F ~ 140 °F)
Humidity	10% ~ 90% (no condensation)
Power Source	12 V DC / PoE (IEEE802.3af)
Max. Power Consumption	7.0 W
Dimensions	∅ 126 x 92.7 mm (∅ 5.0" x 3.6")
Weight	0.45 kg (0.99 lb)
Ingress Protection	IP67
Certification	FCC, CE, RoHS, UL compliant
Web Interface	
Installation Management	Web-based configuration
Maintenance	Firmware upgrade through Web Browser or GV-IP Device Utility
Access from Web Browser	Live View, Video Recording, Change Video Quality, Bandwidth Control, Image Snapshot, Defog, Text Overlay, Image Masking
Language	Czech, English, French, German, Hungarian, Italian, Japanese, Polish, Portuguese, Russian, Spanish, Traditional Chinese
Applications	
Software Supported	GV-VMS (V17.4.1 / V18.2.1), GV-DVR / NVR (V8.9.1), GV-Control Center (V3.8.0), GV-Recording Server / Video Gateway (V1.4.0), GV-Edge Recording Manager Win version (V2.0.0), GV-Redundant / Failover Server (V1.1.0.0), GV-Mobile Server (V1.5.1)
Live Viewing	Browser (IE, Edge, Chrome, Firefox, Safari), Mobile App





Note:





1. It is required to apply patch files to all the supported software.
2. Do not use clothes or any ordinary material to clean the camera cover since they may result in scratches.
3. Specifications are subject to change without notice.

Packing List

- | | |
|----------------------------|--------------------------|
| 1. GV-EBD2704 Eyeball Dome | 4. Drill Template Paster |
| 2. Waterproof Rubber Set | 5. Download Guide |
| 3. Screw kit | 6. Warranty Card |

Accessories

Model No.	Name		Details
GV-Mount107 (must be used with GV-Mount212P)	Pendant Bracket		Dimensions: ∅ 120 x 334 mm (∅ 4.72" x 13.15") Weight: 0.74 kg (1.63 lb)
GV-Mount211P	Wall Mount and Junction Box		Dimensions: ∅ 233 x 125 x 125 mm (∅ 9.2" x 4.9" x 4.9") Weight: 1 kg (2.2 lb)
GV-Mount212P	Wall Box Mount		Dimensions: ∅ 126 x 36 mm (∅ 5.0" x 1.4") Weight: 0.22 kg (0.48 lb)
GV-Mount300-2	Convex Corner Mount		Dimensions: 137 x 233 x 160 mm (5.4" x 9.17" x 6.3") Weight: 1.65 kg (3.64 lb)

GV-Mount310-2	Concave Corner Mount		Dimensions: 111.2 x 369.9 x 210 mm (2.6" x 11.4" x 6.6") Weight: 1.65 kg (3.64 lb)
GV-Mount420 (must be used with GV-Mount211P)	Pole Mount Bracket		Dimensions: Ø 120 x 120 x 53.4 mm (Ø 4.7" x 4.7" x 2.1") Weight: 0.45 kg (0.99 lb) Steel Strap Diameter: Ø 67 ~ 127 mm (Ø 2.6" ~ 5")
GV-Mount704 (must be used with GV-Mount107)	Extension Tube		Dimensions: Ø 3.5 x 10 or 20 or 30 or 50 cm (Ø 1.38 x 3.9 or 7.9 or 11.8 or 19.7") Weight: 225 g or 360 g or 500 g or 780 g (0.5 lb or 0.79 lb or 1.1 lb or 1.72 lb)
GV-PA191	Power over Ethernet (PoE) Adapter		GV-PA191 is a Power over Ethernet (PoE) adapter designed to provide power to the IP device through a single Ethernet cable.
GV-PoE Switch	GV-PoE Switch is designed to provide power along with network connection for IP devices. GV-PoE Switch is available in various models with different numbers and types of ports.		
Power Adapter	Contact our sales representatives for the countries and areas supported.		