

UA-R500F2 5MP H.265 Super Low Lux WDR IR Eyeball Dome IP Camera



- High quality imaging with progressive scan CMOS
- Triple streams from H.265, H.264
- IR distance up to 30 m (100 ft)
- Built-in microphone
- Built-in micro SD card slot, up to 256 GB
- Ingress protection (IP66)
- DC 12V / PoE (IEEE 802.3af)
- P2P function for GV-Eye app
- ONVIF conformant

Specifications

Video		
Imaging Device	1/2.7"	
Picture Elements	2592 (H) x 1944 (V)	
Scanning System	Progressive CMOS	
Min. Illumination	Color	0.002 Lux at F1.2 (AGC On)
	B/W	0 Lux
	IR On	0 Lux
Lens Type		
Lens Type	Fixed	
Focal Length (Zoom Ratio)	2.8 mm	
Maximum Aperture	F/1.6	
Mount	M12	
Field of View	Horizontal: 97°, Vertical: 70.57°, Diagonal: 128.66°	
Operation	Focus	Fixed
	Zoom	Fixed
	Iris	Fixed
Operation		
IR LED Quantity	2 IR LEDs	
Max. IR Distance	30 m (100 ft)	
Day and Night	IR cut filter with auto switch (Day / Night / Auto / Image / Schedule)	
Backlight Compensation	Off / on (5 zones)	
S/N Ratio	39 dB	
WDR	Yes	
Digital Noise Reduction	3D DNR	
Motion Detection	Off / on (8 levels)	
Privacy Masking	Off / on (4 zones)	
Gain Control	Auto	
White Balance	Auto / Manual	
Electronic Shutter Speed	1/5 ~ 1/20000 s	
Flip / Mirror	Flip / Rotation	
Image Setting	Hue, Bright, Contrast, Saturation, Sharpness, IR-CUT Mode, IR-CUT Delay, IR-LED, Low Beam Light, Angle Trad, Mirror, Backlight, White Balance, Shutter, Time Exposure, Defog, 3D Noise Reduction	
Audio Compression	G.711	
Audio Support	One-way audio	
Hardware Reset	Yes	

Network		
Ethernet		RJ45 (10/100 BASE-T)
Video Compression Format		H.265 / H.264
Resolution	Main Stream	5 MP: 2592 x 1944 (Default) 4 MP: 2592 x 1520 3 MP: 2304 x 1296 1080P: 1920 x 1080 960P: 1280 x 960 720P: 1280 x 720
	Sub Stream	720P: 1280 x 720 (Default) VGA: 640 x 480 QVGA: 320 x 240
	Mobile Stream	QVGA: 320 x 240 (Default)
Max. Frame Rate		50 Hz: 25 fps at 8 MP / 5 MP / 4 MP / 3 MP / 2 MP / 960P / 720P / VGA / QVGA 60 Hz: 30 fps at 8 MP / 5 MP / 4 MP / 3 MP / 2 MP / 960P / 720P / VGA / QVGA
Video Quality Adjustment		256 Kbps ~ 8 Mbps
Bitrate Control Method		CBR / VBR
Streaming Capability		Triple-Stream (Main / Sub / Mobile)
IP		IPv4
Protocol		TCP/IP, HTTP, DHCP, DNS, DDNS, RTP/RTSP, SMTP, NTP, UPnP, SNMP, HTTPS, FTP
Security		-IP address filter -Complicated password -Authenticated username and password
Streaming Method		Unicast / Multicast
Max. User Account		Max 7 (Admin + 6 Users)
Application Programming Interface		ONVIF (Profile S / G / T)
Mechanical		
Camera Angle Adjustment	Pan	0° ~ 360°
	Tilt	0° ~ 80°
	Rotate	0° ~ 360°
Connectors	Power	DC Jack
	Ethernet	Ethernet (10/100 Base-T), RJ45 cable
	Audio	1 in (built-in microphone)
	Local Storage	Micro SD card slot, up to 256GB (SD / SDHC / SDXC) *Class 10, UHS-I, UHS-II card type is not supported.
General		
Operating Conditions		-30 ~ 55°C (-22°F ~ 131°F) / less than ≤ 95% RH
Storage Conditions		-30 ~ 60°C (-22°F ~ 140°F) / less than ≤ 95% RH
Power Source		12V DC, 1A / PoE (IEEE 802.3af)
Max. Power Consumption		5 W
Color / Material		White / Metal
Dimensions (Ø x H)		Ø 100 x 90 mm (Ø 3.9" x 3.5")
Weight		420 g (0.93 lb)
Ingress Protection		IP66
Regulatory		FCC and RoHS compliant
Web Interface		
Installation Management		Web-based configuration
Maintenance		Firmware upgrade through Web Browser or Utility
Access from Web Browser		Live View, Change Stream, Play, Color, Stop, Original Proportions, Stretch, Full Screen, Record, Capture, Digital Zoom, Audio, Pixel Counter
Language		English / German / Spanish / French / Japanese / Italian / Portuguese / Russian / Turkish

Application	
Software Supported	GV-VMS (V18.3.1 / 17.4.5 *3 rd -party license required for SW connection) GV-Control Center (V4.1.0) GV-Recording Server (V2.1.0 *3 rd -party license required for SW connection) GV-Edge Recording Manager Windows Version (V2.2.0)
Smart Device Access	GV-Eye for iOS and Android (V2.9.1)
Live Viewing	IE10 / 11 Safari V12.1 or later Firefox V52 or later Google chrome V57 or later Edge V79 or later

Note: Product design and specifications are subject to change without notice.

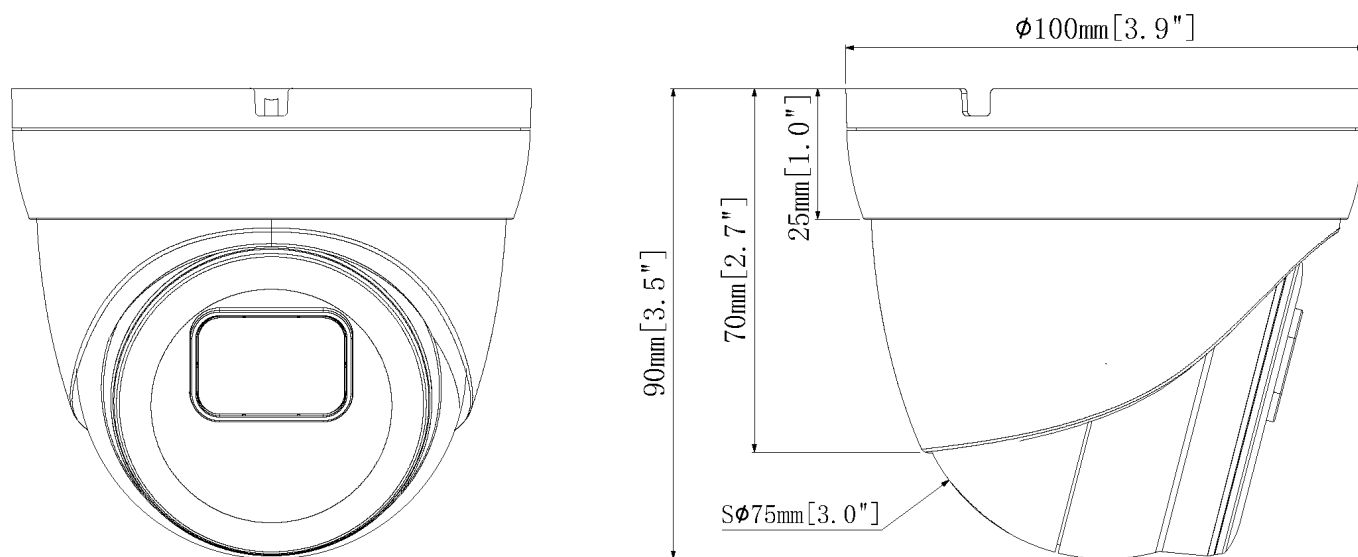
USA Vision Products Supported

- Standalone Network Video Recorder: UA-SNVR1810-P, UA-SNVR1620-P, UA-SNVR3240-N



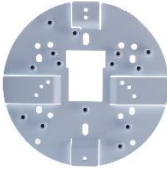

Packing List

1. UA-R500F2
2. Waterproof Rubber Set
3. Screw Kit
4. Drill Template Paster
5. Download Guide

Dimensions



Accessories

Model No.	Name		Details
UA-Mount215	Wall Mount Bracket		<p>Dimensions: 155 mm x 75 mm x 132 mm (6.1" x 2.95" x 5.2")</p> <p>Weight: 0.62 kg (1.37 lb)</p>
UA-Mount505	Wall Box Mount		<p>Dimensions: \varnothing 100.5 mm x 56 mm (\varnothing 3.96" x 2.2")</p> <p>Weight: 0.46 kg (1.01 lb)</p>
UA-Mount922	Power Box Mount Bracket		<p>Dimensions: \varnothing 148.00 mm (\varnothing 5.83")</p> <p>Weight: 180 g (0.4 lb)</p>
GV-PA191	Power over Ethernet (PoE) Adapter		<p>GV-PA191 is a Power over Ethernet (PoE) adapter designed to provide power to the IP device through a single Ethernet cable.</p>
GV-POE Switch			<p>The GV-POE Switch is designed to provide power along with network connection for IP devices. The GV-POE Switch is available in various models with different numbers and types of ports.</p>
Power Adapter			<p>Contact our sales representatives for the countries and areas supported.</p>