

# GV-TBL8810 AI 8MP H.265 4.3x Zoom Super Low Lux WDR Pro IR

## Bullet IP Camera



- AI Deep learning: Smart Premier Protection & Classification (Human, Vehicle)
- 1/2.8" progressive scan super low lux CMOS sensor
- Triple streams from H.265, H.264 or MJPEG
- Wide Dynamic Range Pro (WDR Pro)
- Min. illumination at 0.003 lux
- Up to 20 fps at 3840 x 2160, 30 fps at 3072 x 1728 / 2560 x 1440 / 1920 x 1080
- Motorized varifocal lens for remote focus / zoom adjustment
- Intelligent IR
- IR distance up to 50 m (165 ft)
- Day and night function (with removable IR-cut filter)
- Vandal Resistance (IK10 for metal casing)
- Ingress protection (IP67)
- Built-in micro SD card slot (SD / SDHC / SDXC / UHS-I, Class 10) for local storage
- Two-way audio capable
- DC 12V / PoE (IEEE 802.3af)
- ONVIF (Profile G, S, T, M) conformant

### Introduction

The Bullet IP Camera is an outdoor, network camera equipped with an automatic IR-cut filter and IR LEDs for day and night surveillance. The camera supports H.265 video codec to achieve better compression ratio while maintaining high quality pictures at reduced network bandwidths. GV-TBL8810 adheres to IK10 and P67 standards, and can be powered through PoE.

Empowered by deep learning algorithms, AI technology distinguishes human and vehicles from other moving objects. Integrated with GeoVision Video Management Software (VMS), it supports smart premier protection, real time alert, events playback and more.

### Deep Learning Function

#### Face Detection



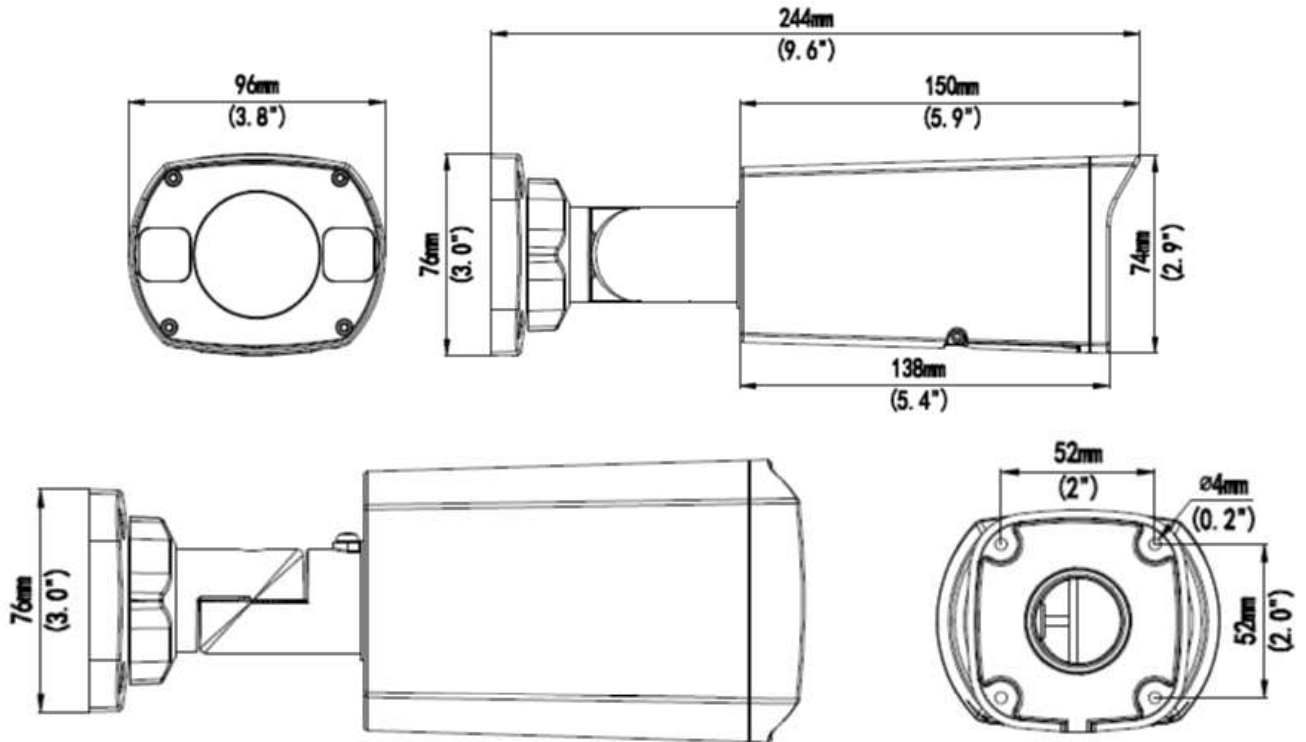
#### AI Perimeter Protection (Intrusion, Crossing Line Entering Area, Leaving Area)



#### People Flow Counting



## Dimensions



## Specifications

Camera					
Image Sensor		1/2.8" progressive scan low lux CMOS			
Picture Elements		3840 (H) x 2160 (V)			
Minimum Illumination	Color	0.003 Lux (F1.6, AGC ON)			
	IR On	0 Lux			
Shutter Speed		Auto / Manual (1/12 ~ 1/100000 sec)			
White Balance		Auto / Manual			
Gain Control		Auto / Manual			
S/N Ratio		56 dB			
WDR Pro		Yes			
Dynamic Range		Up to 120 dB			
Lens					
Megapixel		8 MP			
Day / Night		Yes (with removable IR-cut filter)			
Lens Type		Motorized varifocal lens			
Focal Length		2.8 ~ 12 mm			
Maximum Aperture		F/1.6			
Mount		Ø14 mm			
Horizontal FOV		29.2 ~ 107.4°			
Operation	Focus	Auto / Manual			
	Zoom	4.3x Optical Zoom			
	Iris	Fixed			
IR LED Quantity		3 IR LEDs			
Max. IR Distance		50 m (165 ft)			
DORI		Detect	Observe	Recognize	Identify
Lens	2.8 mm	86.9 m (285.1 ft)	34.8 m (114.2 ft)	17.4 m (57.1 ft)	8.7 m (28.5 ft)
	12 mm	372.4 m (1221.8 ft)	149 m (488.8 ft)	74.5 m (244.4 ft)	37.2 m (122.0 ft)
Operation					
Video Compression		H.265, H.264, MJPEG			
Video Streaming		Triple streams			

Video Resolution	Main Stream	3840 x 2160 (Default), 3072 x 1728, 2560 x 1440, 1920 x 1080
	Sub Stream	1920 x 1080, 1280 x 720, 720 x 576, 704 x 288, 640 x 360 (Default), 352 x 288
	Third Stream (Closed by Default)	720 x 576, 704 x 288, 640 x 360, 352 x 288
Frame Rate	20 fps at 3840 x 2160, 30 fps at 3072 x 1728 / 2560 x 1440 / 1920 x 1080 (60 / 50 Hz) * The frame rate and performance may vary depending on the number of connections and data bitrates (different scenes).	
Video Analytics	Motion Detection, Tampering Alarm, Audio Detection *Tampering Alarm, Audio Detection are only accessible through the camera's Web interface, which can be used to trigger alerts such as e-mail and FTP	
Image Setting	Brightness, Contrast, Saturation, Sharpness, Flicker-less, Image Orientation (Flip, Mirror, 0°, 90°, 180°, 270°-including Corridor format)	
Audio Compression	G.711	
Audio Support	Two-way Audio (external microphone and speaker required)	
Digital I/O	Input	1 Input, dry contact, NO / NC
	Output	1 Relay Output (1A 30V DC / 0.3A 125V AC)
<b>Deep Learning Function</b>		
AI Analytics	<ul style="list-style-type: none"> <li>- Human &amp; Vehicle classification: Intrusion, Crossing Line, Entering Area, Leaving area</li> <li>- Face Detection, People Flow Counting, Crowd Density Monitoring</li> </ul>	
<b>Network</b>		
Interface	10/100 Ethernet	
Protocol	802.1x, ARP, DHCP, DDNS, DNS, DynDNS, FTP, HTTP, HTTPS, ICMP, IGMP, IPv4, IPv6, NTP, PPPoE, RTCP, RTP, RTSP, SMTP, SNMP, TCP, UDP, UPnP, ONVIF (Profile G, S, T, M)	
<b>Mechanical</b>		
Camera Angle Adjustment	Pan	0 ~ 360°
	Tilt	0 ~ 120°
	Rotate	0 ~ 360°
Connectors	Power	DC Jack, PoE
	Ethernet	RJ-45
	Audio	1 in (Audio In Wire); 1 out (Audio Out Wire) *The Audio In port only supports microphones with power supply
	Digital I/O	4-pin terminal block pitch 3.5 mm (0.14")
	Local Storage	Micro SD card slot (SD / SDHC / SDXC / UHS-I, Class 10) * UHS-II card type is not supported.
<b>General</b>		
Operating Temperature	-30 ~ 60°C (-22 ~ 140°F)	
Humidity	0 ~ 95% (no condensation)	
Power Source	12 V DC / PoE (IEEE802.3af)	
Max. Power Consumption	9.5 W	
Dimensions	244 × 96 × 74 mm (9.6" × 3.8" × 2.9")	
Weight	1.0 kg (2.2 lb)	
Ingress Protection	IP67	
Vandal Resistance	IK10 for metal casing	
Certification	CE, FCC, RoHS, UL compliant	
<b>Web Interface</b>		
Installation Management	Web-based configuration	
Maintenance	Firmware upgrade through Web Browser or GV-IP Device Utility	
Access from Web Browser	Live View, Video Recording, Change Video Quality, Bandwidth Control, Image Snapshot, Text Overlay, Image Masking	
Language	Czech, English, French, German, Hungarian, Italian, Japanese, Polish, Portuguese, Russian, Spanish, Traditional Chinese	
<b>Software Application</b>		
Software Supported	GV-VMS (V17.4.1 / V18.2.1), GV-DVR / NVR (V8.9.1), GV-Control Center (V3.8.0), GV-Recording Server / Video Gateway (V2.0.0), GV-Edge Recording Manager Win version (V2.0.0), GV-Redundant / Failover Server (V1.2.0)	

Smart Device Access	GV-Eye for iOS and Android
Live Viewing	Browser (IE, Edge, Chrome), Mobile App

**Note:**

1. It is required to apply patch files to some or all of the supported software.
2. Do not use clothes or any ordinary material to clean the camera cover since they may result in scratches.
3. Specifications are subject to change without notice.

**Packing List**

1. Bullet IP Camera
2. Waterproof Rubber Set
3. Screw Kit
4. Drill Template Paster
5. Download Guide
6. Warranty Card

**Accessories**

Model No.	Name		Details
GV-Mount300-2	Convex Corner Mount		Dimensions: 137 x 233 x 160 mm (5.4" x 9.17" x 6.3") Weight: 1.65 kg (3.64 lb)
GV-Mount310-2	Concave Corner Mount		Dimensions: 111.2 x 369.9 x 210 mm (2.6" x 11.4" x 6.6") Weight: 1.65 kg (3.64 lb)
GV-Mount503	Wall Mount Bracket		Dimensions: 125 x 125 x 55 mm (4.9 x 4.9 x 2.2") Weight: 0.74 kg (1.63 lb)
GV-Mount420 (must be used with GV-Mount503)	Pole Mount Bracket		Dimensions: Ø 120 x 120 x 53.4 mm (Ø 4.7 x 4.7 x 2.1") Weight: 0.45 kg (0.99 lb) Steel Strap Diameter: Ø 67 ~ 127 mm (Ø 2.6" ~ 5")
GV-PA191	Power over Ethernet (PoE) Adapter		GV-PA191 is a Power over Ethernet (PoE) adapter designed to provide power to the IP device through a single Ethernet cable.
GV-POE Switch			GV-POE Switch is designed to provide power along with network connection for IP devices. The GV-POE Switch is available in various models with different numbers and types of ports.
Power Adapter			Contact our sales representatives for the countries and areas supported.