

# 4MP Mini Fixed Bullet Network Camera

IPC2124LR3-PF40(60)M-D



## Key Features

### Optics

- Day/night functionality
- Smart IR , up to 30 m (98 ft) IR distance
- Optical glass window with higher light transmittance
- IR anti-reflection window to increase the infrared transmittance
- 2D/3D DNR (Digital Noise Reduction)

### Compression

- Ultra 265,H.265, H.264, MJPEG
- ROI (Region of Interest)

### Network

- ONVIF Conformance

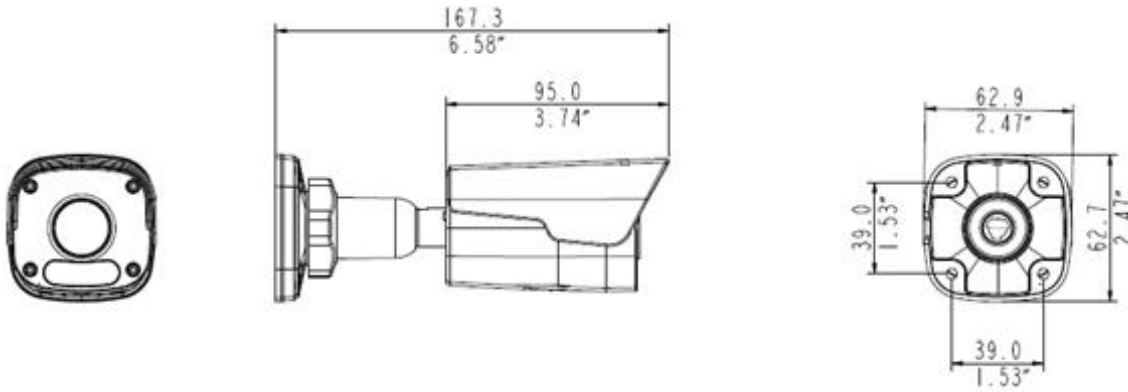
### Structure

- Wide temperature range: -30°C to 60°C (-22°F to 140°F)
- Wide voltage range of  $\pm 25\%$
- IP67
- 3-Axis

## Specifications

	IPC2124LR3-PF40M-D	IPC2124LR3-PF60M-D			
<b>Camera</b>					
Sensor	1/3", 4.0 megapixel, progressive scan, CMOS				
Lens	4.0mm@F2.0	6.0mm@F2.0			
DORI Distance	Lens	Detect(m)	Observe(m)	Recognize(m)	Identify(m)
	4.0mm	60	24	12	6
	6.0mm	90	36	18	9
Angle of View (H)	78.9°		49.9°		
Angle of View (V)	39.6°		27.0°		
Angle of View (O)	97.0°		57.7°		
Adjustment angle	Pan: 0°~360°	Tilt: 0°~90°	Rotate: 0°~360°		
Shutter	Auto/Manual, 1~1/100000 s				
Minimum Illumination	Colour: 0.03 Lux (F2.0, AGC ON) 0 Lux with IR on				
Digital noise reduction	2D/3D DNR				
Day/Night	IR-cut filter with auto switch (ICR)				
S/N	>52dB				
IR Range	Up to 30m (98 ft) IR range				
WDR	DWDR				
<b>Video</b>					
Video Compression	Ultra 265,H.265, H.264, MJPEG				
H.264 code profile	Baseline profile, Main Profile, High Profile				
Frame Rate	Main Stream:4MP (2592*1520): Max. 20 fps; Sub Stream:720P (1280*720): Max. 20 fps; Third Stream:D1 (720*576): Max. 20 fps				
HLC	Supported				
BLC	Supported				
OSD	Up to 4 OSDs				
Privacy Mask	Up to 8 areas				
ROI	Up to 2 areas				
Motion Detection	Up to 4 areas				
<b>Network</b>					
Protocols	IPv4,IGMP,ICMP,ARP,TCP,UDP,DHCP, RTP,RTSP,RTCP,DNS,DDNS,NTP,FTP,UPnP,HTTP,HTTPS,SMTP, SSL				
Compatible Integration	ONVIF(Profile S, Profile T), API				
<b>Interface</b>					
Network	10/100M Base-TX Ethernet				
<b>General</b>					
Power	12 V DC±25%, PoE (IEEE802.3 af)				
	Power consumption: Max 4W				
Dimensions (L × W × H)	167.3 × 62.9 × 62.7 mm (6.6" × 2.5" × 2.5")				
Weight	0.37kg (0.81lb)				
Working Environment	-30°C ~ +60°C (-22°F ~ 140°F), Humidity :10%~90% RH(non-condensing)				

## Dimensions



### Zhejiang Uniview Technologies Co., Ltd.

Building No.10, Wanlun Science Park, Jiangling Road 88, Binjiang District, Hangzhou, Zhejiang, China (310051)

Email: [overseasbusiness@uniview.com](mailto:overseasbusiness@uniview.com); [globalsupport@uniview.com](mailto:globalsupport@uniview.com)

<http://www.uniview.com>

©2018 Zhejiang Uniview Technologies Co., Ltd. All rights reserved.

\*Product specifications and availability are subject to change without notice.