

2MP Thermal & Optical Dual-spectrum Starlight Intelligent Positioning System

TIC7632EL-F75-2X55G



Key Features



Optics

- Thermal & Optical dual-spectrum image, dual video with single IP address, adaptable to more various scenes
- Passive infrared thermal imaging, meet the requirement of concealed monitoring and not affected by bad weather condition such as fog, smoke, rain, snow and night etc.
- Starlight illumination
- Gyroscope stabilization for stable picture
- Vari-focal laser:800m(2624.7ft) distance, proportional to optical zoom of camera module
- 2D/3D DNR (Digital Noise Reduction)

Compression

- Support 1080P@60fps, which has the smoother motion image
- Ultra265, H.265, H.264, MJPEG

- Five streams
- Customize OSD

Network

- ONVIF Conformance

Structure

- Rain-sensing auto wiper
- Embedded gradienter to ensure the horizontal position while installation
- Power supply: DC 48V±25%、DC 24V±15%、AC 24V±25%
- Support 1/1 audio in/out, 7/2 alarm in/out ,1 Serial port RS485
- Support up to 256G Micro SD card
- Wide temperature range: -40°C to 70°C (-40°F to 158°F)
- IP66

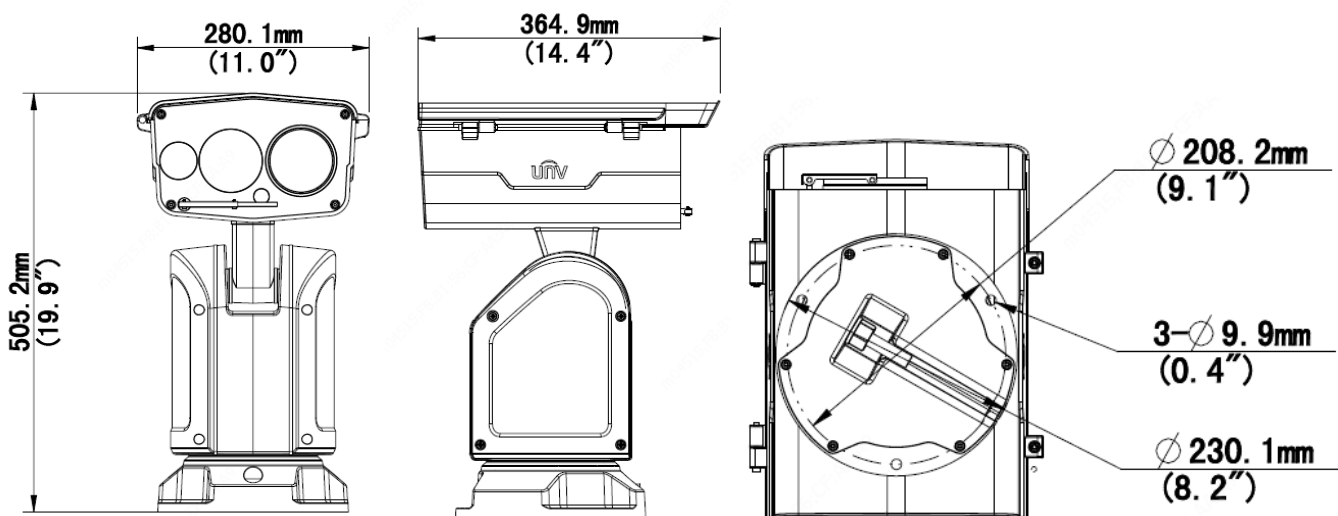
Specifications

TIC7632EL-F75-2X55G					
Optical Module					
Image sensor	1/1.8", progressive scan, 2.0 megapixel, CMOS				
Lens	6~330mm, AF automatic focusing and motorized zoom lens				
Digital Zoom	16				
Optical Zoom	55x				
DORI Distance	Lens (mm)	Detect (m)	Observe (m)	Recognize (m)	Identify (m)
	6	72.1(236.4ft)	28.8(94.6ft)	14.4(47.3ft)	7.2(23.6ft)
	330	3134.5(10283.7ft)	1253.8(4113.5ft)	626.9(2056.7ft)	313.4(1028.4ft)
Angle of View (H)	58.5° ~ 1.7°				
Angle of View (V)	35.0° ~ 1.0°				
Angle of View (O)	72.0° ~ 2.0°				
Shutter	Auto/Manual, shutter time: 1~1/100000 s				
Minimum Illumination	Colour: 0.0005 Lux (F1.3, AGC ON) 0 Lux with IR				
Iris	Auto/Manual; F1.3 ~ F4.6				
Day/Night	IR-cut filter with auto switch (ICR)				
Digital noise reduction	2D/3D DNR				
S/N	>55dB				
VF laser	Up to 800m(2624.7ft)				
Defog	Optical Defog & Digital Defog				
WDR	120dB				
Thermal Module					
Sensor type	Vanadium Oxide Uncooled Focal Plane Arrays				

Max. Resolution	384*288
Video format	720P(1280*720), Max 25fps
Pixel size	17μm
Response waveband	8~14μm
NETD	≤50mk
Lens(focal length)	75mm
Angle of View (H)	5.0°
Angle of View (V)	4.0°
Angle of View (O)	6.1°
Focus	Auto/Semiautomatic/Manual
Palette	Up to 20 palettes of optional color, including: white hot, lava, iron oxide red, hot iron, medical, arctic, rainbow 1, rainbow 2, rainbow 3, depict hot, ice hot, black hot, mazarine, fusion, red hot, green hot, color 1, color 2, rain, puce
Detection Distance	Vehicle: 5220m (target size 4mx1.4m); human: 2093m (target size 1.8mx0.5m);
Recognition Distance	Vehicle: 1305m (target size: 4mx1.4m); human: 523m (target size: 1.8mx0.5m);
Identification Distance	Vehicle: 746m (target size: 4mx1.4m); human: 299m (target size: 1.8mx0.5m);
Video	
Compression	Ultra265, H.265, H.264, MJPEG
H.264 code profile	Baseline profile, Main Profile, High Profile
Frame Rate	Main Stream: 2MP (1920×1080): Max.60fps; Sub Stream: 2MP (1920×1080): Max.60fps; Third Stream: D1(720 x 576): Max.60fps; Fourth Stream: D1(720 x 576): Max.60fps; Fifth Stream: D1(720 x 576): Max.60fps;
HLC	Supported
BLC	Supported
OSD	Up to 8 OSDs
ROI	Up to 8 areas
Privacy Mask	Up to 24 areas
Motion Detection	Up to 4 areas
Events	
General Function	Watermark, IP Address Filtering, Alarm input, Alarm output, Access Policy, ARP Protection, RTSP Authentication, User Authentication
Audio	
Audio Compression	G.711U, G.711A
Two-way audio	Supported
Suppression	Supported
Sampling Rate	8 KHZ
Storage	
Edge Storage	Micro SD, up to 256GB
Network Storage	ANR,NAS(NFS)
Network	
Protocols	IPv4, IGMP, ICMP, ARP, TCP, UDP, DHCP, PPPoE, RTP, RTSP, RTCP, DNS, DDNS, NTP, FTP, UPnP, HTTP, HTTPS, SMTP, 802.1x, SNMP, QoS, RTMP
Compatible Integration	ONVIF (Profile S, Profile G, Profile T), API
Web Browser	Plug-in required live view: IE9+, Chrome 41 and below, Firefox 52 and below
Pan & Tilt	

Pan Range	360° (endless)
Pan Speed	0.1°/s ~ 140°/s
	Preset speed: 140°/s
Tilt Range	-90° ~ 45°
Tilt Speed	0.1° ~ 40°/s
	Preset speed: 40°/s
Number of Presets	1024
Patrol	Preset patrol, route patrol, recorded patrol
Home Position	Supported
Interface	
Audio I/O	Audio cable
	1 Input: impedance 35kΩ; amplitude 2V [p-p]
	1 Output: impedance 600Ω; amplitude 2V [p-p]
Alarm I/O	7/2
Serial Port	1 RS485
Video Output	Supported(Thermal module)
Network	1 RJ45 10M/100M/1000M Base-TX Ethernet+1 100M/1000M SFP
General	
Power	DC 48V ± 25%、DC 24V ± 15%、AC 24V ± 25%
	Power consumption: Max 119W
Dimensions (Φ × H)	505.2mm × 280.1mm × 364.9mm (19.9" × 11.0" × 14.4")
Weight	15.09kg(33.27lb)
Working Environment	-40° C ~ 70° C (-40° F ~ 158° F), Humidity: ≤95% RH (non-condensing)
Storage Environment	-40° C ~ 70° C (-40° F ~ 158° F), Humidity: ≤95% RH (non-condensing)
Surge protection	6KV
Vandal Resistant	N/A
Ingress Protection	IP66



Dimensions



Accessories

TR-WM08-B



Pedestal installation	Wall mount
/	TR-WM08-B
	

Zhejiang Uniview Technologies Co., Ltd.

Building No.10, Wanlun Science Park, Jiangling Road 88, Binjiang District, Hangzhou, Zhejiang, China (310051)

Email: overseasbusiness@uniview.com; globalsupport@uniview.com

<http://www.uniview.com>

©2020 Zhejiang Uniview Technologies Co., Ltd. All rights reserved.

* Product specifications and availability are subject to change without notice.