

GV-IPSH30 V2.0 PoE Network Horn Speaker



Introduction

The GV-IPSH30 V2.0 network horn speaker plays audio data received from the network. When integrated with GV-Control Center or GV-VMS, its live speak can be used to deter unwanted visitors, prevent potential crimes, and provide directions. It can also play prerecorded messages for business or security purposes, such as important announcements, safety instructions, and emergency alerts.

The GV-IPSH30 V2.0 network horn speaker, with IP66 ingress protection, can withstand years of outdoor installation. It is ideal for campus, traffic intersections, prisons, factories, parking lots, shopping malls, and other locations requiring loudspeakers and local amplification.

Key Features

- Integration with GV-Control Center and GV-VMS
- Live speak for deterrence and instruction
- Prerecorded message playback
- Compatible with SIP and ONVIF (RTSP) protocols
- DC 24V / PoE (IEEE 802.3at)
- IP66 Ingress protection
- CE, FCC compliant

Specifications

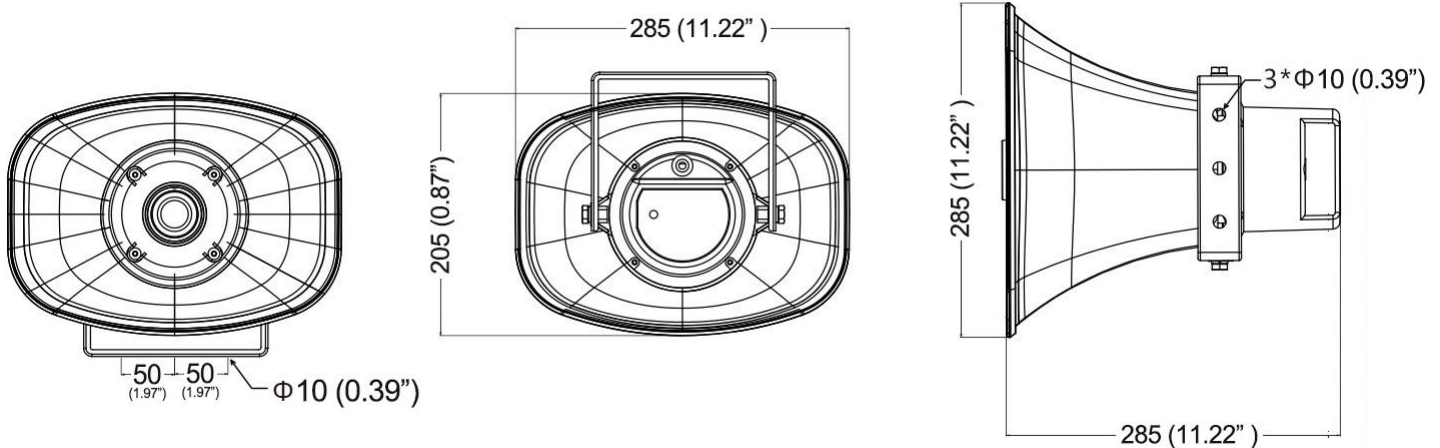
Network	
Network Interface	RJ-45 connector, 10/100 Ethernet
Protocol	TCP/IP, UDP, IGMP, ICMP, ARP, SIP, ONVIF
Audio	
Audio Format	PCM (uncompressed format)
Restart Time after Power and Network Disconnection	<1 s
Network Delay	File playback: less than 50 ms; real-time speech: less than 150 ms
Transmission Rate	10/100 Mbps

Audio Mode	Network data packet
Amplifier Frequency Response	20 Hz ~ 20 KHz
Harmonic Distortion	≤0.3%
SNR	>90 dB
Rated Output	Built-in 30 W digital amplifier
Speaker Unit	1.5" tweeter
Reated power of speaker unit	30 W
Speaker Sensitivity (1 W / 1 m)	108 dB
Max SPL (Rated / 1 m)	123 dB
Speaker Frequency Range (-10 dB)	3000 Hz ~ 8 kHz
General	
Usage	Outdoor
Operating Temperature	-25°C ~ 55°C (-13°F ~ 131°F)
Operating Humidity	≤95%
Power Consumptpion	≤ 40 W
Dimensions (W x H x D)	285 x 205 x 285 mm (11.22" x 0.87" x 11.22")
Net weight	2.0 kg (4.41 lb)
Input power	DC 24V, 3.75A, PoE (IEEE 802.3at)
Mounting	U-shapped mounting bracket
Material	Housing: high strength ABS
Housing Color	White
Ingress Protection	IP66
Certification	CE, FCC compliant

Note:

1. The data cable of a 5-pin terminal block does not function.
2. Specifications are subject to change without notice.

Dimensions



Packing List

1. IP Speaker
2. Waterproof terminal for network cable
3. 5-Pin Terminal Block
4. Operation Manual

Compatible GeoVision Software

- GV-Control Center V4.2.0 or later
- GV-VMS V17.4.7 / V18.3.2, patch files required

Accessory

Model No. / Name	Details
GV-POE Switch	The GV-POE Switch is designed to provide power along with network connection for IP devices. The GV-POE Switch is available in various models with different numbers and types of ports.
Power Adapter	Contact our sales representative for the countries and areas supported.