

## 1/3" CCD High Performance Color Camera

VCC-3954

### Key Features

- 330TVL of Horizontal Resolution
- Minimum Scene Illumination of 0.5 Lux @ F1.2
- Center Zone Backlight Compensation
- Video & DC Lens Operation
- 12V DC / 24V AC Dual Power Operation



(Shown with Optional Lens)

# VCC-3954

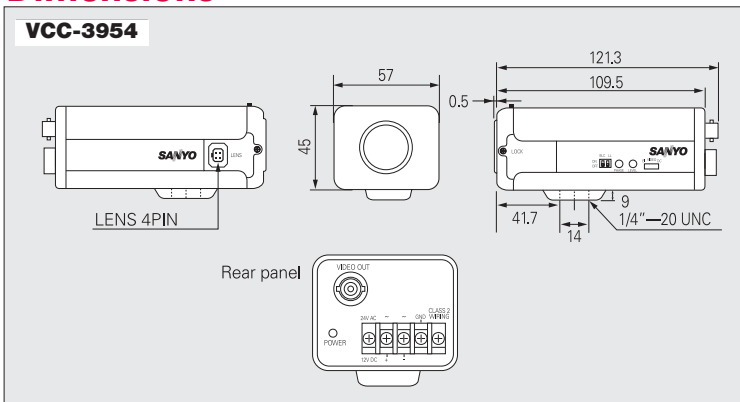
1/3" CCD HIGH PERFORMANCE  
COLOR CAMERA

## Specifications

<b>Image System</b>	
Image Sensor	1/3" IT CCD
Picture Elements	Effective: 510 (H) x 492 (V)
Horizontal Resolution	330 TVL
Minimum Illumination	0.5 Lux (@ F1.2, 50IRE)
Video Output Level	1.0Vp-p (75-ohm composite)
S/N Ratio	More than 48dB
Synchronization	INT/L-L (Slide SW)
Electronic Iris	Yes
Electronic Shutter	-
Gain Control	Auto
White Balance	ATW
<b>Control</b>	
Electronic Iris	ON/OFF (Slide SW)
BLC	ON/OFF (Slide SW)
White Balance	-
Auto Iris Lens	VIDEO/DC (Slide SW)
Color Adjustment	-
Lens Iris Level	LEVEL: L, H (VR)
V-Phase	LINE PHASE (VR)
GAMMA	-
<b>Sockets</b>	
Video Out	BNC x 1
Iris Control	4-pin
Power Input Terminal	3-pin Terminal
Lens Mount	CS
Power Source	24V AC / 12V DC
Power Consumption (approx.)	4.5W
Dimensions	2.2(W) x 1.77(H) x 4.33(D)in. [57(W) x 45(H) x 110(D)mm]
Weight (approx.)	8.64oz [245g]

Specifications and product design are subject to change without notice.  
©2005 SANYO Security Products

## Dimensions



# SANYO

SANYO Security Products  
21605 Plummer Street  
Chatsworth, CA 91311  
Phone: (888) 893-7403  
Fax: (888) 818-2597  
Technical Support: (888) 66-SANYO  
www.sanyocctv.com