

## **GV-EBDP8800 AI 180° Panoramic 8MP H.265 Super Low Lux WDR Pro IR Eyeball Dome IP Camera**



- AI deep learning: AI Perimeter Protection & Classification (Human, Vehicle)
- 1/2.7" progressive scan super low lux CMOS sensor
- Min. illumination at 0.01 lux
- Triple streams from H.265, H.264 or MJPEG
- Up to 30 fps at 3840 x 2160
- Intelligent IR
- IR distance up to 20 m (65 ft)
- Day and night function (with removable IR-cut filter)
- 180° panoramic view
- Ingress protection (IP67)
- Vandal resistance (IK10 for metal casing)
- 3-axis mechanism (pan / tilt / rotate)
- DC 12V / PoE (IEEE 802.3af)
- Built-in micro SD card slot (SD / SDHC / SDXC / UHS-I) for local storage
- Built-in microphone
- Wide Dynamic Range Pro (WDR Pro)
- AI analytics (Intrusion, Crossing Line, Entering Area, Leaving Area)
- 3D noise reduction
- Motion Detection
- Tampering Alarm
- Defog
- Text Overlay
- Privacy Mask
- 12 languages supported
- ONVIF (Profile G, S, T) conformant

### **Introduction**

The panoramic eyeball IP camera is an outdoor, network camera that captures 180° horizontal coverage, providing a wide coverage of view for open and large areas with just one camera. It is equipped with an automatic IR-cut filter and IR LEDs for day and night surveillance. GV-EBDP8800 adheres to IK10 and IP67 standards, and can be powered through PoE. The camera supports H.265 video codec to achieve better compression ratio while maintaining high quality pictures at reduced network bandwidths.

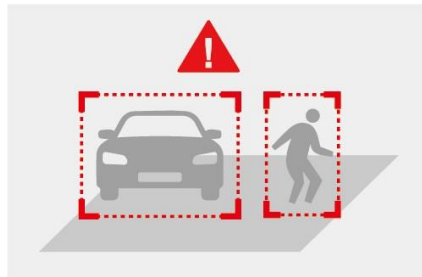
Empowered by deep learning algorithms, AI technology distinguishes human and vehicles from other moving objects. Integrated with GeoVision Video Management Software (VMS), it supports AI perimeter protection, real time alert, events playback and more.

### 180 Degree Panoramic View



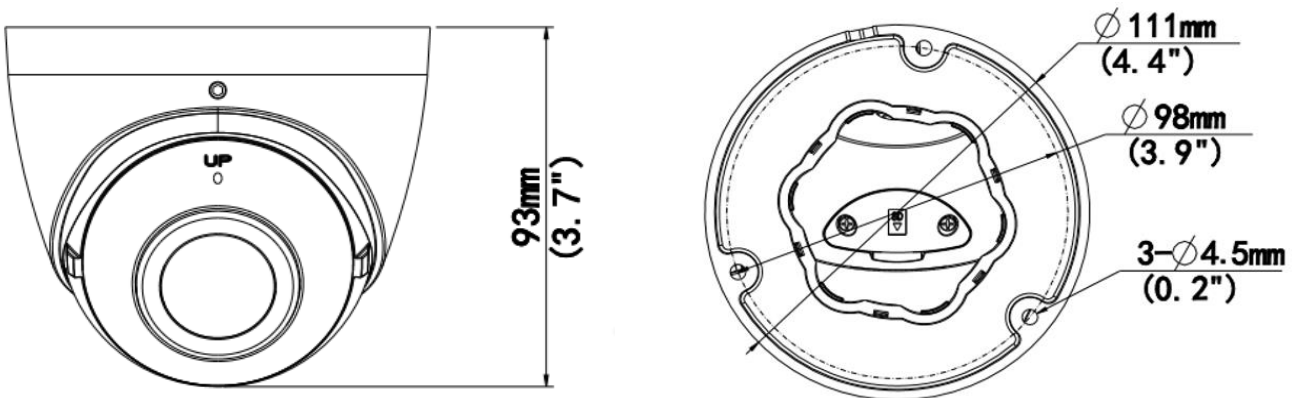
### Deep Learning Function

#### AI Perimeter Protection



(Intrusion, Crossing Line, Entering Area, Leaving Area)

### Dimensions



### Specifications

Camera		
Image Sensor		1/2.7" progressive scan CMOS
Picture Elements		3840 (H) x 2160 (V)
Minimum Illumination	Color	0.01 Lux (F2.0, AGC ON)
	IR On	0 Lux

Shutter Speed	Auto / Manual (1 ~ 1/100000 sec)				
White Balance	Auto / Manual				
Gain Control	Auto / Manual				
S/N Ratio	52 dB				
WDR Pro	Yes				
Dynamic Range	120 dB				
<b>Lens</b>					
Megapixel	8 MP				
Day/Night	Yes (with removable IR-cut filter)				
Focal Length	1.68 mm				
Lens Type	Fixed				
Maximum Aperture	F/2.0				
Mount	Ø12 mm				
Horizontal FOV	180°				
Operation	Focus	Fixed			
	Zoom	Fixed			
	Iris	Fixed			
IR LED Quantity	2 IR LEDs				
Max. IR Distance	20 m (65 ft)				
<b>DORI</b>		<b>Detect</b>	<b>Observe</b>	<b>Recognize</b>	<b>Identify</b>
Lens	1.68 mm	37.8 m (124.0 ft)	15.1 m (49.6 ft)	7.6 m (24.8 ft)	3.8 m (12.4 ft)
<b>Operation</b>					
Video Compression	H.265, H.264, MJPEG				
Video Streaming	Triple streams				
Video Resolution	Main Stream	3840 x 2160 (Default), 3072 x 1728, 2560 x 1440, 1920 x 1080			
	Sub Stream	1280 x 720, 720 x 576, 640 x 480, 640 x 360 (Default), 704 x 288, 352 x 288			
	Third Stream (Closed by Default)	640 x 360, 352 x 288			
Frame Rate	30 fps at 3840 x 2160, 3072 x 1728, 2560 x 1440, 1920 x 1080 (50/60 Hz) *The frame rate and performance may vary depending on the number of connections and data bitrates (different scenes).				
Maximum throughput	50 Mbps				
Maximum stream *When the total bitrate is within the maximum throughput	20				
Video Analytics	Motion Detection, Audio Alarm, Tamper Detection. *Tampering detection and audio alarm are only accessible through the camera's Web interface, which can be used to trigger alerts such as e-mail and FTP				
Image Setting	Brightness, Contrast, Saturation, Sharpness, Flicker-less, 3D Noise Reduction, Image Orientation (Flip, Mirror, 0°, 180°).				
Audio Compression	G.711				
Audio Support	One-way audio				
<b>Deep Learning Function</b>					
AI Analytics	Human & Vehicle classification: Intrusion, Crossing Line, Entering Area, Leaving Area				
<b>Network</b>					
Interface	10/100 Ethernet				
Protocol	IPv4/IPv6, ARP, TCP, UDP, RTCP, RTP, RTSP, RTMP, HTTP, HTTPS, DNS, DDNS, DHCP, FTP, NTP, SMTP, SNMP, PPPoE, 802.1x, QoS, IGMP, ONVIF Profile (G, S, T)				
<b>Mechanical</b>					
Camera Angle Adjustment	Pan	0° ~ 360°			
	Tilt	0° ~ 75°			
	Rotate	0° ~ 360°			

Connectors	Power	DC Jack, PoE		
	Ethernet	RJ-45		
	Audio	Built-in microphone	Yes	
		External microphone required	No	
		Built-in speaker	No	
		External speaker required	No	
	*For devices with microphone or speaker, choose either the built-in or external option.			
*If equipped with an audio in port, it only supports microphones with power supply.				
Local Storage	Micro SD card slot (SD / SDHC / SDXC / UHS-I, Class 10), up to 256 GB *UHS-II card type is not supported.			

### General

Operating Temperature	-30°C ~ 60°C (-22°F ~ 140°F)
Humidity	0 ~ 95% (no condensation)
Power Source	12 V DC / PoE (IEEE802.3af)
Max. Power Consumption	7 W
Dimensions	111 x 93 mm (4.4" x 3.7")
Weight	0.49 kg (1.06 lb)
Ingress Protection	IP67
Vandal Resistance	IK10 for metal casing
Certification	CE, FCC, LVD, RoHS, UL compliant

### Web Interface

Installation Management	Web-based configuration
Maintenance	Firmware upgrade through Web Browser or Utility
Access from Web Browser	Live View, Video Recording, Change Video Quality, Bandwidth Control, Image Snapshot, Text Overlay, Image Masking
Language	Czech, English, French, German, Hungarian, Italian, Japanese, Polish, Portuguese, Russian, Spanish, Traditional Chinese

### Software Applications

Software Supported	GV-VMS (V17.4.7 or later / V18.3.2 or later), GV-Control Center (V4.2.0 or later), GV-Edge Recording Manager Windows Version (V2.2.8 or later), GV-Recording Server / Video Gateway (V2.1.1 or later)
Smart Device Access	GV-Eye for iOS and Android (V3.2.0 or later)
Live Viewing	Browser (IE, Edge, Chrome, Firefox)

### Note:

- Do not use clothes or any ordinary material to clean the camera cover since they may result in scratches.
- Specifications are subject to change without notice.

### Packing List

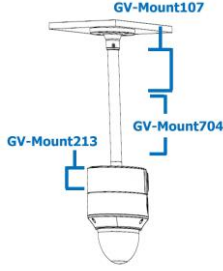
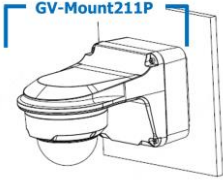
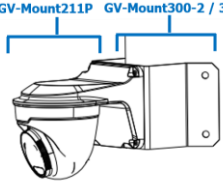
- |                                |                          |
|--------------------------------|--------------------------|
| 1. GV-EBDP8800 IR Eyeball Dome | 4. Drill Template Paster |
| 2. Waterproof Rubber Set       | 5. Torx Wrench           |
| 3. Screw kit                   | 6. Download Guide        |

### Accessories

Model No.	Name	Image	Details
GV-Mount107 (must be used with GV-Mount213)	Pendant Bracket		Dimensions: Ø 120 x 334 mm (Ø 4.72" x 13.15") Weight: 0.74 kg (1.63 lb)

GV-Mount211P	Wall Mount and Junction Box		Dimensions: $\varnothing$ 233 x 126 x 126 mm ( $\varnothing$ 9.2" x 5" x 5") Weight: 1 kg (2.2 lb)
GV-Mount213	Wall / Ceiling Box Mount		Dimensions: $\varnothing$ 109 x 39 mm ( $\varnothing$ 4.3" x 1.5") Weight: 0.2 kg (0.44 lb)
GV-Mount300-2 (must be used with GV-Mount211P)	Convex Corner Mount		Dimensions: 137 x 233 x 160 mm (5.4" x 9.17" x 6.3") Weight: 1.65 kg (3.64 lb)
GV-Mount310-2 (must be used with GV-Mount211P)	Concave Corner Mount		Dimensions: 111.2 x 369.9 x 210 mm (2.6" x 11.4" x 6.6") Weight: 1.65 kg (3.64 lb)
GV-Mount420 (must be used with GV-Mount211P)	Pole Mount Bracket		Dimensions: $\varnothing$ 120 x 120 x 53.4 mm ( $\varnothing$ 4.7" x 4.7" x 2.1") Weight: 0.45 kg (0.99 lb) Steel Strap Diameter: $\varnothing$ 67 ~ 127 mm ( $\varnothing$ 2.6" ~ 5")
GV-Mount704 (must be used with GV-Mount107)	Extension Tube		Dimensions: $\varnothing$ 3.5 x 10 or 20 or 30 or 50 cm ( $\varnothing$ 1.38 x 3.9 or 7.9 or 11.8 or 19.7") Weight: 225g or 360g or 500g or 780g (0.5 lb or 0.79 lb or 1.1 lb or 1.72 lb)
GV-Mount924 (for standard US single and double gang boxes only)	Power Box Mount Bracket		Dimensions: $\varnothing$ 128 x 18.5 mm ( $\varnothing$ 5" x 0.7") Weight: 0.15 kg (0.33 lb)
GV-PA191	Power over Ethernet (PoE) Adapter		The GV-PA191 is a Power over Ethernet (PoE) adapter designed to provide power to the IP device through a single Ethernet cable.
GV-PA301	Gigabit PoE Adapter		GV-PA301 is a Gigabit Power over Ethernet (PoE) adapter.
GV-PoE Switch	The GV-POE Switch is designed to provide power along with network connection for IP devices. The GV-POE Switch is available in various models with different numbers and types of ports.		
Power Adapter	Contact our sales representatives for the countries and areas supported.		

**Mounting Type**

Pendant Mount		Wall Box Mount	Convex Corner Mount	
GV-Mont107 + GV-Mount213	GV-Mont107 + GV-Mount213 + GV-Mount704	GV-Mount211P	GV-Mount211P + GV-Mount300-2	GV-Mount211P + GV-Mount310-2
				
Pole Mount	Wall / Ceiling Box Mount	Power Box Mount Bracket		
GV-Mount211P + GV-Mount420	GV-Mount213	GV-Mount924		
