

GV-EBD2705 2MP H.265 Low Lux WDR Pro IR Eyeball IP Dome

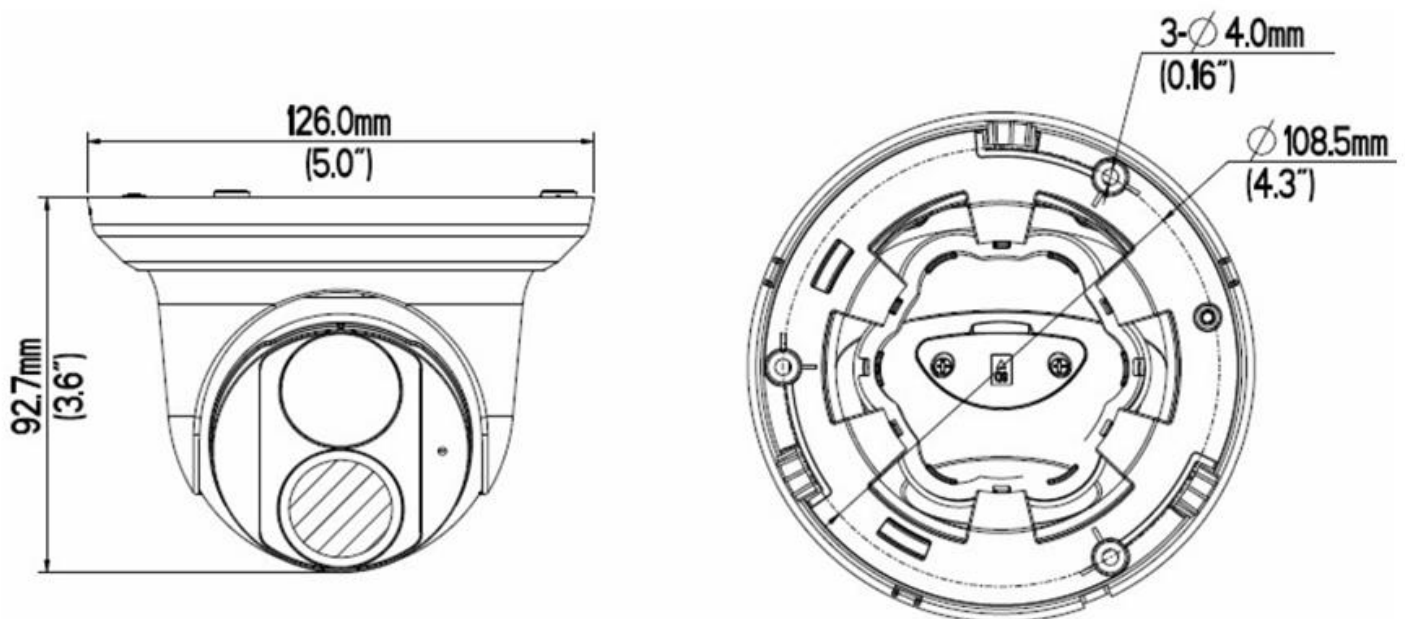


- 1/2.7" progressive scan CMOS sensor
- Min. illumination at 0.01 lux
- Dual streams from H.265, H.264 or MJPEG
- Up to 30 fps at 1920 x 1080
- Day and night function (with removable IR-cut filter)
- 3-axis mechanism (pan / tilt / rotate)
- Intelligent IR
- IR distance up to 30 m (100 ft)
- Built-in microphone
- Built-in micro SD card slot (SD / SDHC / SDXC / UHS-I) for local storage
- Wide Dynamic Range (WDR Pro)
- Ingress protection (IP67)
- DC 12V / PoE (IEEE 802.3af)
- Defog
- 3D noise reduction
- Motion detection
- Tampering alarm
- Text overlay
- Privacy mask
- 12 languages supported
- ONVIF (Profile G, S, T) conformant

Introduction

GV-EBD2705 is an outdoor, network camera equipped with an automatic IR-cut filter and an IR LED for day and night surveillance. The camera adheres to IP67 standards. The camera supports H.265 video codec to achieve better compression ratio while maintaining high quality pictures at reduced network bandwidths. With its WDR Pro, it can process scenes with contrasting intensity of lights and produce clear image.

Dimensions



Specifications

Camera		GV-EBD2705-2F			
Image Sensor		1/2.7" progressive scan CMOS			
Picture Elements		1920 (H) x 1080 (V)			
Minimum Illumination	Color	0.01 Lux (F2.0, AGC ON)			
	IR ON	0 Lux			
Shutter Speed		Auto / Manual (1 ~ 1/100,000 sec)			
White Balance		Auto / Manual			
Gain Control		Auto / Manual			
S/N Ratio		Up to 52 dB			
WDR Pro		Yes			
Dynamic Range		120 dB			
Lens					
Megapixel		2 MP			
Day / Night		Yes (with removable IR-cut filter)			
Lens Type		Fixed			
Focal Length		2.8 mm			
Maximum Aperture		F/2.0			
Mount		Ø 12 mm			
Horizontal FOV		112.9°			
Operation	Focus	Fixed			
	Zoom				
	Iris				
IR LED Quantity		1 IR LED			
Max. IR Distance		30 m (100 ft)			
DORI		Detect	Detect	Detect	Detect
Lens	2.8 mm	42m (137.7 ft)	42m (137.7 ft)	42m (137.7 ft)	4.2 m (13.7 ft)
Operation					
Video Compression		H.265, H.264, MJPEG			
Video Streaming		Dual streams from H.265, H.264 or MJPEG			
Video Resolution	Main Stream	1920 x 1080 (Default), 1280 x 720			
	Sub Stream	1280 x 720, 720 x 576, 640 x 480, 640 x 360 (Default)			
Frame Rate		30 fps at 1920 x 1080 (60 / 50 Hz) *The frame rate and performance may vary depending on the number of connections and data bitrates (different scenes).			
Maximum throughput		50 Mbps			
Maximum streams*When the total bitrate is within the maximum throughput		6			
Video Analytics		Motion Detection, Tampering Alarm, Audio Detection, Cross Line, Intrusion *Tampering Alarm, Audio Detection, Cross Line, Intrusion are only accessible through the camera's Web interface, which can be used to trigger alerts such as e-mail and FTP.			
Image Setting		Brightness, Saturation, Contrast, Sharpness, Flicker-less, Image Orientation (Flip, Mirror, 0°, 90°, 180°, 270°-including Corridor format)			
Audio Compression		G.711			
Audio Support		One-way audio			
Network					
Interface		10/100 Ethernet			
Protocol		ARP, DHCP, DDNS, DNS, DynDNS, FTP, HTTP, HTTPS, ICMP, IGMP, IPv4, NTP, QoS, RTCP, RTP, RTSP, SMTP, SNMP, TCP, UDP, UPnP, ONVIF (Profile G, S, T)			
Mechanical					
Camera Angle Adjustment	Pan	0° ~ 360°			
	Tilt	0° ~ 80°			
	Rotate	0° ~ 360°			

Connectors	Power	DC Jack (DC 12 V, 1.25 A), PoE	
	Ethernet	RJ-45 connector	
	Audio	Built-in microphone	Yes
		External microphone required	No
		Built-in speaker	No
External speaker required	No		
Connectors	Local Storage	Micro SD card slot (SD / SDHC / SDXC / UHS-I, Class 10) *UHS-II card type is not supported.	

General

Operating Temperature	-30 °C ~ 60 °C (-22 °F ~ 140 °F)
Humidity	0% ~ 95% (no condensation)
Power Source	1.25A 12V DC / PoE (IEEE802.3af)
Max. Power Consumption	7.0 W
Dimensions	Ø 126 x 92.7 mm (Ø 5.0" x 3.6")
Weight	0.45 kg (0.99 lb)
Ingress Protection	IP67
Certification	FCC, CE, RoHS, UL compliant

Web Interface

Installation Management	Web-based configuration
Maintenance	Firmware upgrade through Web Browser or GV-IP Device Utility
Access from Web Browser	Live View, Video Recording, Change Video Quality, Bandwidth Control, Image Snapshot, Defog, Text Overlay, Image Masking
Language	Czech, English, French, German, Hungarian, Italian, Japanese, Polish, Portuguese, Russian, Spanish, Traditional Chinese

Applications

Software Supported	GV-VMS (V17.4.7 / V18.3.2 or later), GV-Control Center (V4.2.1, coming soon), GV-Recording Server / Video Gateway (V2.1.1 or later), GV-Edge Recording Manager Windows Version (V2.2.7 or later)
Smart Device Access	GV-Eye for iOS / Android (V3.1.1 or later)
Live Viewing	Browser (IE, Edge, Chrome, Firefox), Mobile App


Note:

- Do not use clothes or any ordinary material to clean the camera cover since they may result in scratches.
- Specifications are subject to change without notice.

Packing List

- | | |
|----------------------------|--------------------------|
| 1. GV-EBD2705 Eyeball Dome | 4. Drill Template Paster |
| 2. Waterproof Rubber Set | 5. Download Guide |
| 3. Screw kit | |

Accessories

Model No.	Name		Details
GV-Mount107 (must be used with GV-Mount212P)	Pendant Bracket		Dimensions: Ø 120 x 334 mm (Ø 4.72" x 13.15") Weight: 0.74 kg (1.63 lb)
GV-Mount211P	Wall Mount and Junction Box		Dimensions: Ø 233 x 125 x 125 mm (Ø 9.2" x 4.9" x 4.9") Weight: 1 kg (2.2 lb)

GV-Mount212P	Wall Box Mount		Dimensions: \varnothing 126 x 36 mm (\varnothing 5.0" x 1.4") Weight: 0.22 kg (0.48 lb)
GV-Mount300-2	Convex Corner Mount		Dimensions: 137 x 233 x 160 mm (5.4" x 9.17" x 6.3") Weight: 1.65 kg (3.64 lb)
GV-Mount310-2	Concave Corner Mount		Dimensions: 111.2 x 369.9 x 210 mm (2.6" x 11.4" x 6.6") Weight: 1.65 kg (3.64 lb)
GV-Mount420 (must be used with GV-Mount211P)	Pole Mount Bracket		Dimensions: \varnothing 120 x 120 x 53.4 mm (\varnothing 4.7" x 4.7" x 2.1") Weight: 0.45 kg (0.99 lb) Steel Strap Diameter: \varnothing 67 ~ 127 mm (\varnothing 2.6" ~ 5")
GV-Mount704 (must be used with GV-Mount107)	Extension Tube		Dimensions: \varnothing 3.5 x 10 or 20 or 30 or 50 cm (\varnothing 1.38 x 3.9 or 7.9 or 11.8 or 19.7") Weight: 225 g or 360 g or 500 g or 780 g (0.5 lb or 0.79 lb or 1.1 lb or 1.72 lb)
GV-PA301	Gigabit PoE Adapter		GV-PA301 is a Gigabit Power over Ethernet (PoE) adapter.
GV-PA191	PoE Adapter		GV-PA191 is a Power over Ethernet (PoE) adapter designed to provide power to the IP device through a single Ethernet cable.
GV-PoE Switch	GV-PoE Switch is designed to provide power along with network connection for IP devices. GV-PoE Switch is available in various models with different numbers and types of ports.		
Power Adapter	Contact our sales representatives for the countries and areas supported.		