

## GV-TBL2706 2MP H.265 Low Lux WDR Pro IR Bullet IP Camera



- 1/2.7" progressive scan CMOS sensor
- Min. illumination at 0.01 lux
- Dual streams from H.265, H.264 or MJPEG
- Up to 30 fps at 1920 x 1080
- Intelligent IR
- IR distance up to 30 m (100 ft)
- Built-in microphone
- Built-in micro SD card slot (SD / SDHC / SDXC / UHS-I) for local storage
- Day and night function (with removable IR-cut filter)
- Ingress protection (IP67)
- DC 12V / PoE (IEEE 802.3af)
- Wide Dynamic Range (WDR Pro)
- Defog
- 3D noise reduction
- Motion detection
- Tampering alarm
- Text overlay
- Privacy mask
- 12 languages supported
- ONVIF (Profile G, S, T) conformant

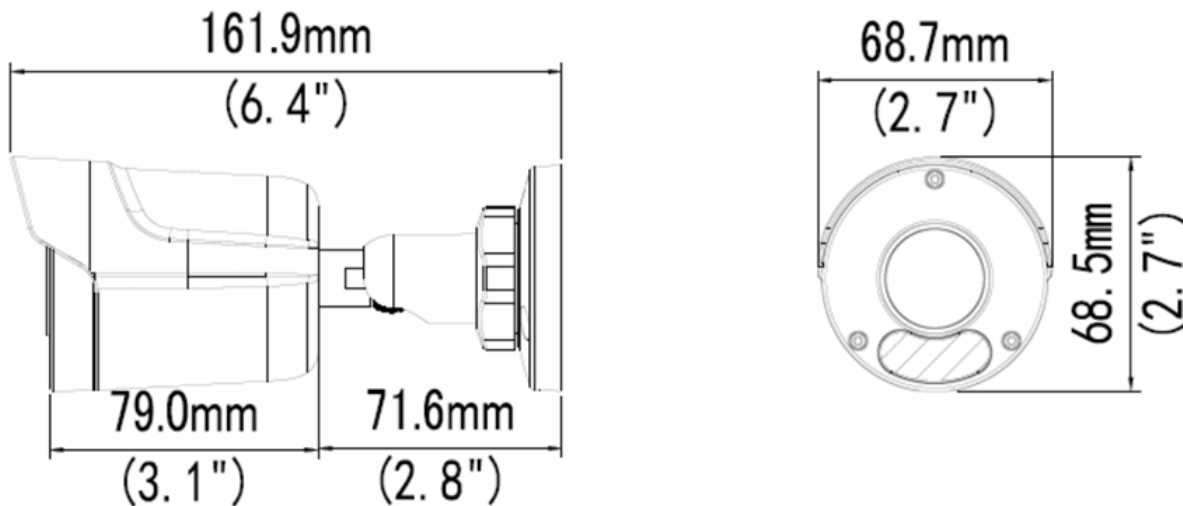
### Introduction

The Bullet IP Camera is an outdoor, fixed, network camera equipped with an automatic IR-cut filter and an IR LED for day and night surveillance. The camera supports H.265 video codec to achieve better compression ratio while maintaining high quality pictures at reduced network bandwidths. It adheres to IP67 standards and can be powered through PoE.

### Models

Model	Iris	Focal Length (mm)	Horizontal FOV	Maximum Aperture	Image Format
GV-TBL2706-2F	Fixed	2.8 mm	112.9°	F/2.0	1/2.7"
GV-TBL2706-4F		4 mm	91.2°		

### Dimensions



## Specifications

Camera					
Image Sensor		1/2.7" progressive scan CMOS			
Picture Elements		1920 (H) x 1080 (V)			
Minimum Illumination	Color	0.01 Lux (F2.0, AGC ON)			
	IR ON	0 Lux			
Shutter Speed		Auto / Manual (1 ~ 1/100,000 sec)			
White Balance		Auto / Manual			
Gain Control		Auto / Manual			
S/N Ratio		Up to 52 dB			
WDR Pro		Yes			
Dynamic Range		120 dB			
Lens		GV-TBL2706-2F	GV-TBL2706-4F		
Megapixel		2 MP			
Day / Night		Yes (with removable IR-cut filter)			
Lens Type		Fixed			
Focal Length		2.8 mm	4 mm		
Maximum Aperture		F/2.0			
Mount		Ø 12 mm			
Horizontal FOV		112.9°	91.2°		
Operation	Focus	Fixed			
	Zoom				
	Iris				
IR LED Quantity		1 IR LED			
Max. IR Distance		30 m (100 ft)			
DORI		Detect	Observe	Recognize	Identify
Lens	2.8 mm	42 m (137.7 ft)	16.8 m (51.1 ft)	8.4 m (27.5 ft)	4.2 m (13.7 ft)
	4 mm	60 m (196.8 ft)	24 m (78.7 ft)	12 m (39.3 ft)	6 m (19.6 ft)
Operation					
Video Compression		H.265, H.264, MJPEG			
Video Streaming		Dual streams from H.265, H.264 or MJPEG			
Video Resolution	Main Stream	1920 x 1080 (Default), 1280 x 720			
	Sub Stream	1280 x 720, 720 x 576, 640 x 480, 640 x 360 (Default)			
Frame Rate		30 fps at 1920 x 1080 (60 / 50 Hz) *The frame rate and performance may vary depending on the number of connections and data bitrates (different scenes).			
Video Analytics		Motion Detection, Tampering Alarm, Audio Detection, Cross Line, Intrusion *Tampering Alarm, Audio Detection, Cross Line, Intrusion are only accessible through the camera's Web interface, which can be used to trigger alerts such as e-mail and FTP.			
Image Setting		Brightness, Saturation, Contrast, Sharpness, Flicker-less, Image Orientation (Flip, Mirror, 0°, 90°, 180°, 270°-including Corridor format)			
Audio Compression		G.711			
Audio Support		One-way audio			
Network					
Interface		10/100 Ethernet			
Protocol		ARP, DHCP, DDNS, DNS, DynDNS, FTP, HTTP, HTTPS, ICMP, IGMP, IPv4, NTP, QoS, RTCP, RTP, RTSP, SMTP, SNMP, TCP, UDP, UPnP, ONVIF (Profile G, S, T)			
Mechanical					
Camera Angle Adjustment	Pan	0° ~ 360°			
	Tilt	0° ~ 90°			
	Rotate	0° ~ 360°			
Connectors	Power	DC Jack, PoE			
	Ethernet	RJ-45 connector			
Connectors	Audio	Built-in microphone		Yes	
		External microphone required		No	
		Built-in speaker		No	
		External speaker required		No	

Connectors	Local Storage	Micro SD card slot (SD/SDHC/SDXC/UHS-I, Class 10) *UHS-II card types are not supported.
<b>General</b>		
Operating Temperature	-30°C ~ 60°C (-22°F ~ 140°F)	
Humidity	0% ~ 95% (no condensation)	
Power Source	1.25A 12V DC / PoE (IEEE802.3af)	
Max. Power Consumption	7.0 W	
Dimensions	161.9 × 68.7 × 68.5 mm (6.4" × 2.7" × 2.7")	
Weight	0.39 kg (0.86 lb)	
Ingress Protection	IP67	
Certification	FCC, CE, RoHS, UL compliant	
<b>Web Interface</b>		
Installation Management	Web-based configuration	
Maintenance	Firmware upgrade through Web Browser or GV-IP Device Utility	
Access from Web Browser	Live View, Video Recording, Change Video Quality, Bandwidth Control, Image Snapshot, Defog, Text Overlay, Image Masking	
Language	Czech, English, French, German, Hungarian, Italian, Japanese, Polish, Portuguese, Russian, Spanish, Traditional Chinese	
<b>Applications</b>		
Software Supported	GV-VMS (V17.4.7 / V18.3.2 or later), GV-Control Center (V4.2.1, coming soon), GV-Recording Server / Video Gateway (V2.1.1 or later), GV-Edge Recording Manager Windows Version (V2.2.7 or later)	
Smart Device Access	GV-Eye for iOS / Android (V3.1.1 or later)	
Live Viewing	Browser (IE, Edge, Chrome, Firefox), Mobile App	

**Note:**

1. Do not use clothes or any ordinary material to clean the camera cover since they may result in scratches.
2. Specifications are subject to change without notice.

**Packing List**

- |                          |                          |
|--------------------------|--------------------------|
| 1. GV-TBL2706 Bullet     | 4. Drill Template Paster |
| 2. Waterproof Rubber Set | 5. Download Guide        |
| 3. Screw Kit             |                          |

**Accessories**

Model No.	Name		Details
GV-Mount300-2	Convex Corner Mount		Dimensions: 137 x 233 x 160 mm (5.4" x 9.17" x 6.3") Weight: 1.65 kg (3.64 lb)
GV-Mount310-2	Concave Corner Mount		Dimensions: 111.2 x 369.9 x 210 mm (2.6" x 11.4" x 6.6") Weight: 1.65 kg (3.64 lb)
GV-Mount440 (must be used with GV-Mount504)	Pole Mount		Dimensions: 127 x 136 x 62.5 mm (5" x 5.35" x 2.46") Weight: 0.34 kg (0.75lb) Steel Strap Diameter: Ø 67 ~ 127 mm (Ø 2.6" ~ 5")

GV-Mount504

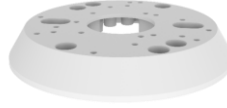
Wall Mount Bracket



Dimensions: Ø 104.4 x 54.5 mm  
(Ø 4.11" x 2.15")  
Weight: 0.36 kg (0.79 lb)

GV-Mount924  
(for standard US single  
and double gang boxes  
only)

Power Box Mount Bracket



Dimensions: Ø 128 x 18.5 mm  
(Ø 5" x 0.7")  
Weight: 0.15 kg (0.33 lb)

GV-PA301

Gigabit PoE Adapter



GV-PA301 is a Gigabit Power over Ethernet (PoE) adapter.

GV-PA191

PoE Adapter



GV-PA191 is a Power over Ethernet (PoE) adapter designed to provide power to the IP device through a single Ethernet cable.

GV-POE Switch

GV-POE Switch is designed to provide power along with network connection for IP devices. GV-POE Switch is available in various models with different numbers and types of ports.

Power Adapter

Contact our sales representatives for the countries and areas supported.