



# KPS-3™ Power Supply

DATA SHEET

## 2.8 AMP Single Output with Battery Charger (For Back-up Battery)



**KPS-3NE**  
Power Supply with US Power Cables,  
and Chassis Enclosure

**KPS-3**  
Power Supply with Full Metal Enclosure,  
and US Power Cables

### Features:

- Universal AC Input / Full Range, No Transformer Required
- Models available with and without enclosure
- Protections: Short circuit / Overload / Over voltage
- Battery low protection / Battery reverse polarity protection by fuse
- Alarm signal for AC OK and Battery Reverse Low
- Cooling by free air convection
- 100% full load burn-in test
- 2 year warranty

Keri's **KPS-3 Power Supply** provides an open frame power solution, with an ultra compact footprint, providing your design with more space and efficiency.

### Specifications:

**Size:**  
*NE Version:* 103.4\*62\*37mm  
(L\*W\*H)

**Enclosure:** 205\*180\*90mm

**Weight:**  
*NE Version:* .95lbs (.42kg)  
*W / enclosure:* 3.65lbs (1.66kg)

**Output:**  
*DC Voltage:* CH1 - 13.8V, 2.8A,  
CH2 (Battery) - 13.8V, 1.5A  
*Current Range:* CH1 - 12-15V,  
CH2 - N/A

**Power:** 59.34W  
**Voltage Tolerance:** +/- 1.0%

**Input:**  
**Voltage Range:** 90-264VAC  
**Frequency Range:** 47-63Hz

**Efficiency:** 84%  
**AC Current:** 1.6A/115VAC,  
1A/230VAC  
**Inrush Current:** Cold Start  
30A/115VAC, 60A/230VAC

**Protection:**  
**Overload:** 105-150% Rated  
Power  
**Protection Type:** Hiccup mode,  
recovers automatically after  
fault condition is removed

**Over Voltage:** CH1 - 14.49  
~18.63V  
**Protection Type:** Hiccup mode,  
recovers automatically after  
fault condition is removed  
**Battery Cut Off:** 10.5 +/- 0.5V

**Environment:**  
**Working Temp:** -20 ~ +70  
deg C  
**Working Humidity:** 20~90%  
RH non-condensing  
**Storage Temp. Humidity:**  
-20 ~ +85 deg C, 10~95% RH  
**Temp Coefficient:** ± deg C  
0.03%/  
(0~50) on CH1 output  
**Vibration:** 10 ~ 500Hz, 2G  
10min./1cycle, 60min. each  
along X, Y, Z axis

**Safety & EMC:**  
**Safety Standards:** UL60950-1,  
TUV EN60950-1 approved  
**Withstand Voltage:**  
I/P-O/P:3KVAC I/P-FG:2KVAC  
O/P-FG:0.5KVAC

**Isolation Resistance:** I/P-O/P,  
I/P-FG, O/P-FG:100M Ohms /  
500VDC / 25 / 70% RH  
**EMC Emission:** Compliance  
to EN55022 (CISPR22) Class B,  
EN61000-3-2,-3  
**EMC Immunity:** Compliance  
to EN61000-4-2,3,4,5,6,8,11,  
EN55024, light industry level,  
criteria A

**Others:**  
**MTBF:** 589.7K hrs min. MIL  
HDBK-217F (25)

*Note: Specifications are subject  
to change without notice.*



[www.kerisys.com](http://www.kerisys.com)

302 Enzo Drive • San Jose, California 95138 • email: [sales@kerisys.com](mailto:sales@kerisys.com)

Phone: 408-435-8400 • Toll Free: 800-260-5265 • Fax: 408-577-1792

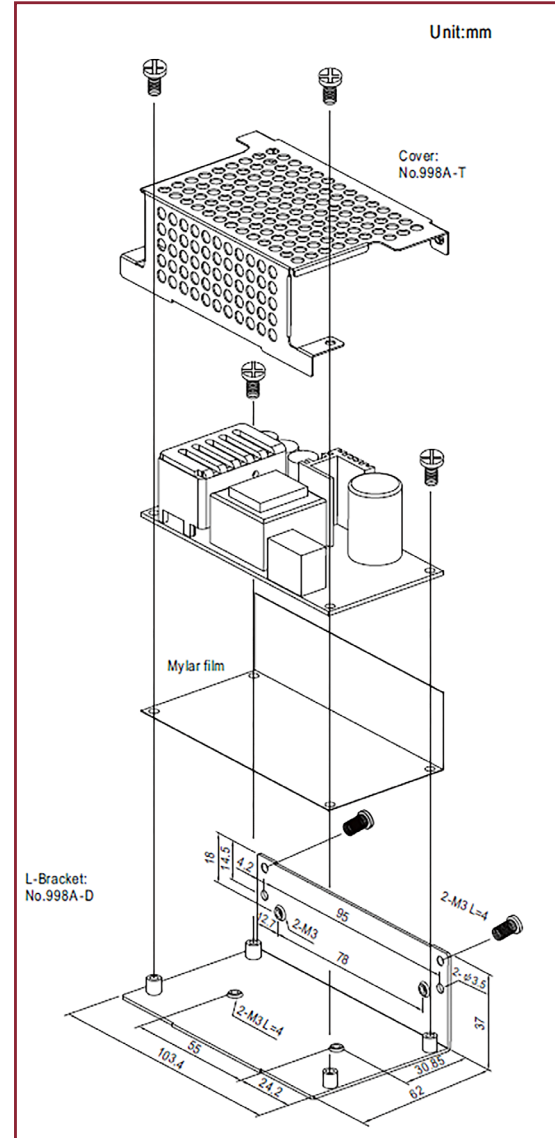
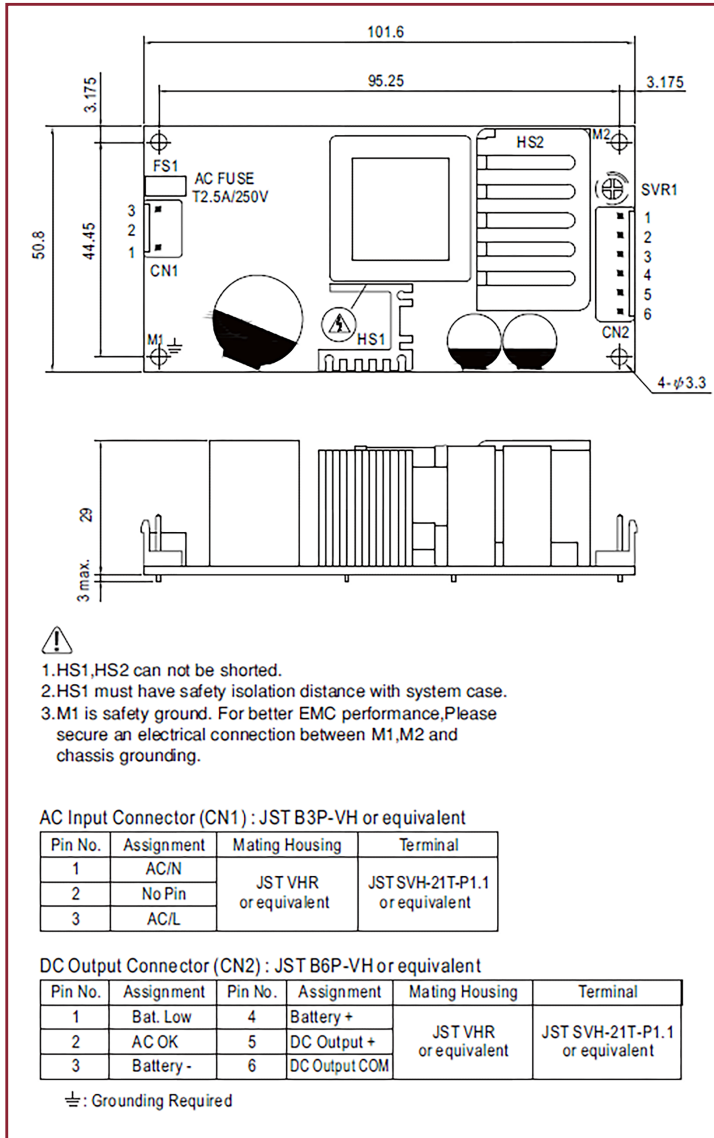
DISTRIBUTED BY



# KPS-3<sup>TM</sup> Power Supply

DATA SHEET - Page 2 of 2

## Mechanical Specifications:



## ORDERING INFORMATION (US):

Model #	Description
KPS-3	Power supply with metal enclosure & US power cables
KPS-3NE	Power supply with US power cables, no enclosure

## ORDERING INFORMATION (EU/UK):

Model #	Description
KPS-31	Power supply with metal enclosure and EU/UK power cables
KPS-3NE	Power supply with EU/UK power cables, no enclosure



Presented By:

DISTRIBUTED BY



ACCESS HARDWARE SUPPLY  
accesshardware.com