

High Resolution Mini Bullet Camera

www.boschsecurity.com



BOSCH

Invented for life



Advantage Line

The VTC-206 Mini Bullet Cameras provide reliable video surveillance in a rugged, yet compact enclosure. The cameras are suitable for indoor and outdoor applications, and deliver 600TVL of color imaging. Models are available with a 3.6 mm lens to cover a variety of applications. The VTC-206 includes a versatile mounting bracket and three mounting screws suitable for soft walls, surfaces and ceilings. Constructed of anodized aluminum, the VTC-206 cameras are compact and discreet, providing round the clock surveillance. The cameras are true plug-and-play. No focus adjustment is needed, and the camera's settings auto-adjust to the scene when power is applied.

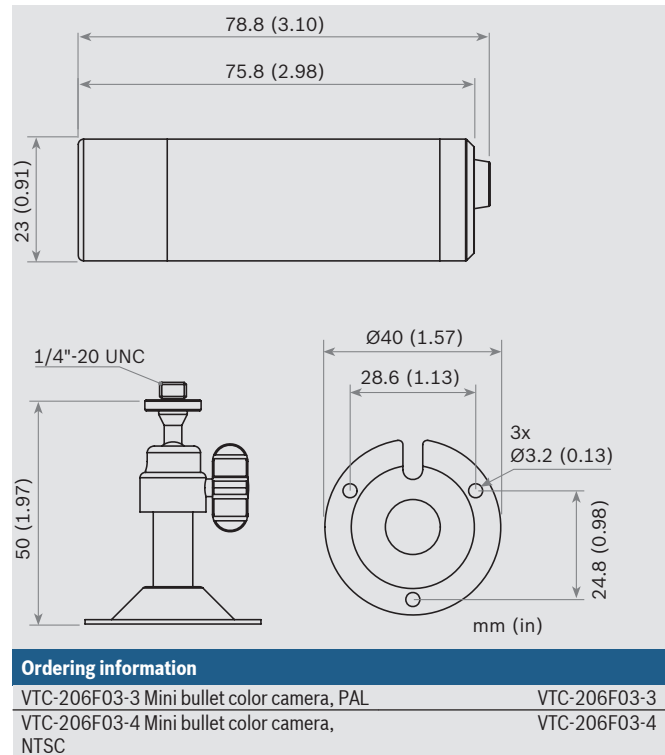
Features

- ▶ High quality color image (600 TVL)
- ▶ Wide field of view
- ▶ Indoor and outdoor applications
- ▶ Discreet and easy mounting

2 | High Resolution Mini Bullet Camera

Technical specifications

| Video | |
|------------------------------|--|
| CCD Camera | 1/3-inch S EXview HAD CCD II |
| Effective pixels (HxV) | 976x582 (PAL) 976x494 (NTSC) |
| Color Resolution | 600 TVL (min.) |
| Electronics shutter | 1/50 to 1/120,000 s (PAL) 1/60 to 1/120,000 s (NTSC) |
| Output Signal | 1 VPP composite video, 75 ohm |
| Output connection | BNC connector |
| S/N Ratio | Greater than 50 dB |
| Gamma | 0.45 |
| Minimum Illumination | 0.1 lx at F2.0 / 30IRE |
| Lens | 3.6 mm fixed |
| Mechanical | |
| Housing | Compact, water resistant |
| Construction | Robust aluminum |
| Weight | 79 g (0.174 lb) approximately |
| Electrical | |
| Power | 12 VDC, 83 mA max. |
| Power Supply | Not included |
| Environmental | |
| Operational Temp. | -10 °C to +50 °C (+14 °F to +122 °F) |
| Storage Temp. | -20 °C to +60 °C (-4 °F to +140 °F) |
| Environment | IP67 certified |
| Certifications and approvals | |
| Region | Certification |
| Europe | CE |
| Standards | |
| | ANSI C63.4: 2003 |
| | FCC Part 15 subpart B, Class A Digital Devices |
| | UL 60065, 7th Edition. 2007-12-11 |
| | CAN/CSA-C22.2 No. 60065-03, 1st Edition, 2006-04 + A1:2006 |
| | EN55022:2006, Class A |
| | EN50130-4:1995 +A2:2003 |
| | EN61000-3-2:2006 |
| | EN61000-3-3:2008 |
| | LVD 2006/95/EC |
| | EN60065:2002 + A1:2006 + A11:2008 |
| | IP67, IEC 60529 (2001) |
| Dimensions | |



Represented by:

Americas:

Bosch Security Systems, Inc.
130 Perinton Parkway
Fairport, New York, 14450, USA
Phone: +1 800 289 0096
Fax: +1 585 223 9180
security.sales@us.bosch.com
www.boschsecurity.us

Europe, Middle East, Africa:

Bosch Security Systems B.V.
P.O. Box 80002
5617 BA Eindhoven, The Netherlands
Phone: +31 40 2577 284
Fax: +31 40 2577 330
emea.securitysystems@bosch.com
www.boschsecurity.com

Asia-Pacific:

Robert Bosch (SEA) Pte Ltd, Security Systems
11 Bishan Street 21
Singapore 573943
Phone: +65 6571 2808
Fax: +65 6571 2699
apr.securitysystems@bosch.com
www.boschsecurity.asia

China:

Bosch (Shanghai) Security Systems Ltd.
201 Building, No. 333 Fuquan Road
North IBP
Changning District, Shanghai
200335 China
Phone +86 21 22181111
Fax: +86 21 22182398
www.boschsecurity.com.cn

America Latina:

Robert Bosch Ltda Security Systems Division
Via Anhanguera, Km 98
CEP 13065-900
Campinas, Sao Paulo, Brazil
Phone: +55 19 2103 2860
Fax: +55 19 2103 2862
al.securitysystems@bosch.com
www.boschsecurity.com