

EHX*E Series Enclosure

SPECIALTY, OUTDOOR, EXPLOSIONPROOF

Product Features

- Aluminum Construction
- Adjustable Mounting Cradle
- Available in 10.16 cm (4 in.), 15.24 cm (6 in.), and 20.32 cm (8 in.) Diameters
- For use in a Variety of Harsh and Hazardous Environments, including Marine Environments
- Meets NEMA Type 4X and IP66 Standards
- Use with Fixed Mount or Explosionproof Pan/Tilt



EHX6E ENCLOSURE



ENCLOSURE WITH SUN SHROUD

The **EHX*E Series** explosionproof camera enclosures are designed to meet the rigorous requirements of explosionproof and dust-ignitionproof electrical equipment for installation and use in hazardous locations throughout the world. These enclosures are also waterproof and dust tight.

Constructed of aluminum, the **EHX*E Series** enclosures in this series are available in 10.16 cm (4 in.), 15.24 cm (6 in.), and 20.32 cm (8 in.) diameters to accommodate most camera and lens combinations. A unique camera mounting sled and track assembly allows fast, easy positioning of the camera and lens and can be securely locked in place.

Field-installed accessories include optional heater, blower, and sun shroud.

You can use the **EHX*E Series** in fixed mount applications or with Pelco's PT1260EX Series explosionproof pan/tilt.



by Schneider Electric

International Standards
Organization Registered Firm;
ISO 9001 Quality System



C417 / REVISED 5-2-13

TECHNICAL SPECIFICATIONS

MECHANICAL

Cable Entry	2 explosionproof sealable fittings (supplied); 1.27 cm (0.50-inch) maximum inside diameter; pipe plug supplied for possible unused gland in rear plate			
Front Window	Fully tempered plate glass			
EHX4E	10.80 cm (4.25 in.) diameter, 1.21 cm (0.475 in.) thick			
EHX6E/EHX6E-16	11.43 cm (4.50 in.) diameter, 1.27 cm (0.50 in.) thick			
EHX8E	14.92 cm (5.75 in.) diameter, 1.27 cm (0.50 in.) thick			
Window Viewing Area				
EHX4E	8.10 cm (3.19 in.) diameter			
EHX6E/EHX6E-16	7.62 cm (3.00 in.) diameter			
EHX8E	10.80 cm (4.25 in.) diameter			
Camera Mounting	Adjustable sled			
Maximum Camera and Lens Size*	Height [†]	Width [†]	Length [†]	Diameter [†]
<i>(Without Blower or Heater)</i>				
EHX4E	6.990 (2.750)	8.570 (3.375)	30.480 (12.000)	7.620 (3.000)
EHX6E	9.530 (3.750)	11.110 (4.375)	60.960 (24.000)	12.700 (5.000)
EHX6E-16	9.530 (3.750)	11.110 (4.375)	40.640 (16.000)	12.700 (5.000)
EHX8E	14.600 (5.750)	13.020 (5.125)	60.960 (24.000)	18.540 (7.300)
<i>(With Heater Only)</i>				
EHX4E (only)	6.990 (2.750)	8.570 (3.375)	26.350 (10.375)	7.620 (3.000)
<i>(With Blower Only or Blower and Heater)</i>				
EHX4E	6.990 (2.750)	8.570 (3.375)	22.860 (9.000)	7.620 (3.000)
EHX6E	9.530 (3.750)	11.110 (4.375)	56.520 (22.250)	12.700 (5.000)
EHX6E-16	9.530 (3.750)	11.110 (4.375)	36.200 (14.250)	12.700 (5.000)
EHX8E	14.600 (5.750)	13.020 (5.125)	56.520 (22.250)	18.540 (7.300)

*Assumes lens is fully extended.

[†]Values in parentheses are inches; all others are centimeters.

GENERAL

Construction	Aluminum, pipe 6061T6	
Weight	Unit	Shipping
EHX4E	6.79 kg (15 lb)	8.60 kg (19 lb)
EHX6E	14.04 kg (31 lb)	16.30 kg (36 lb)
EHX6E-16	12.23 kg (27 lb)	14.49 kg (32 lb)
EHX8E	20.41 kg (45 lb)	24.04 kg (53 lb)
Operating Temperature	-20° to 55°C (-4° to 131°F)	

TECHNICAL SPECIFICATIONS

RECOMMENDED MOUNTS

EHX4E	EM1109, EM2000, EM2200	Medium duty mount for horizontal/ vertical pipe or pole; maximum load 18.1 kg (40 lb)
	EM22	Medium duty wall mount; maximum load 18.1 kg (40 lb)
	MM22	Medium duty ceiling/pedestal mount; maximum load 18.1 kg (40 lb)
EHX6E/EHX8E	PM2000, PM2010 [‡]	Pedestal/ceiling mount; maximum load 56.62 kg (125 lb)
	WM2000 [‡]	Wall mount; maximum load 34 kg (75 lb); increased to 68 kg (150 lb) when used with ST1 strut
	WM3026	Heavy duty wall mount with adjustable head; maximum load 136 kg (300 lb)
Adapters	AH2000	Adjustable head
	ST1	Support strut

[‡]Use with AH2000 adjustable head.

RECOMMENDED PAN/TILT

PT1260EX Series	Heavy duty explosionproof pan/tilt; maximum load 45.4 kg (100 lb)
-----------------	--

OPTIONAL ACCESSORIES

Blower Kit	BKX4000	Continuous duty blower kit for EHX4E only, 10 cfm, 120 VAC, 3.8 W at 60 Hz
	BKX4024	Same as BKX4000 except 19.4 cfm, 24 VDC (AC rectified), 1.92 W
	BKX6000	Continuous duty blower kit for EHX6E and EHX8E, 10 cfm, 120 VAC, 3.8 W at 60 Hz
	BKX6000/220	Same as BKX6000 except 8 cfm, 230 VAC, 9.6 W at 50 Hz
	BKX6024	Same as BKX6000 except 19.4 cfm, 24 VDC (AC rectified), 1.92 W
Heater Kit	HKX4-1 [§]	Heater kit for EHX4E only, 120 VAC, 40 W
	HKX4-2 [§]	Same as HKX4-1 except 24 VAC
	HKX4-3 [§]	Same as HKX4-1 except 230 VAC, 80 W
	HKX6-1 [§]	Heater kit for EHX6E only, 120 VAC, 80 W
	HKX6-2 [§]	Same as HKX6-1 except 24 VAC
	HKX6-3 [§]	Same as HKX6-1 except 230 VAC
	HKX8/10-1 [§]	Heater kit for EHX8E only, 120 VAC, 107 W
	HKX8/10-2 [§]	Same as HKX8-1 except 24 VAC
	HKX8/10-3 [§]	Same as HKX8-1 except 230 VAC
Sun Shroud	SSEHX4E	Sun shroud for EHX4E only
	SSEHX6E	Sun shroud for EHX6E only
	SSEHX6E-16	Sun shroud for EHX6E-16 only
	SSEHX8E	Sun shroud for EHX8E only
Other	EHX*EORKIT	O-ring kit for EHX*E Series; consult factory for applicable model numbers

[§]Heaters activate on at 4°C (40°F) and off at 15°C (60°F).

CERTIFICATIONS/RATINGS

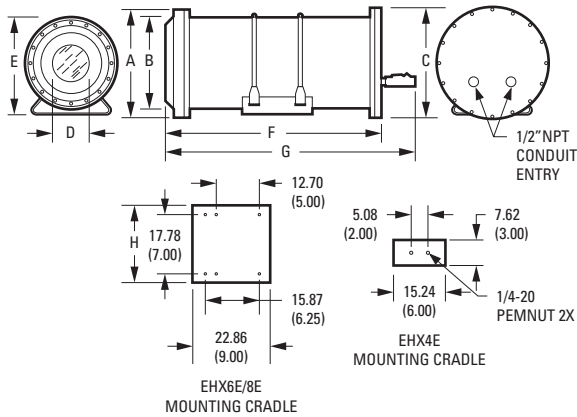
- CE
- UL/cUL
- Classified by Underwriters Laboratories Inc. as to explosion and fire hazard only
- UL 1203 - Edition 4
- UL 60079-0 - Edition 5
- UL 60079-1 - Edition 6
- CSA C22.2 NO. 30
- CSA C22.2 NO. 25
- CSA C22.2 NO. 60079-0:11
- CSA C22.2 NO. 60079-1 :11
- IEC 60079-0 - Edition 6
- IEC 60079-1 - Edition 6
- IEC 60079-31 - Edition 1
- CENELEC EN 60079-0 - Issue Date 2012
- CENELEC EN 60079-1 - Issue Date 2007/07/01
- CENELEC EN 60079-31 - Issue Date 2009/12/01
- Type 4X enclosure for use in hazardous locations
- Class I, Groups C and D – Class II, Groups E, F, and G
- Class I, Zone 1, AEx d IIB, Ex d IIB
- Empty enclosure with Ex component certificate
- 03 ATEX 0318166U
- 0539 Ex II 2 G Ex d IIB Gb
- Ex II 2 D Ex tb IIIC Db IP66
- IECEx UL 12.0017U
- Ex d IIB Gb
- Ex tb IIIC Db IP66
- Suitable for marine outside (saltwater) use, for vessels over 1981.2 cm (65 feet) in length
- Maximum o-ring service temperature 70°C (158°F)

MODEL NUMBERS

MODELS

EHX4E	Explosionproof enclosure, 10.16 cm diameter x 30.48 cm length (4 x 12 in.)
EHX6E	Explosionproof enclosure, 15.24 cm diameter x 60.96 cm length (6 x 24 in.)
EHX6E-16	Same as EHX6E except 40.64 cm (16 in.) length
EHX8E	Explosionproof enclosure, 20.32 cm diameter x 60.96 cm length (8 x 24 in.)

 VALUES IN PARENTHESES ARE INCHES; ALL OTHERS ARE CENTIMETERS.



DIM	EHX4E	EHX6E-16	EHX6E	EHX8E
A	Ø17.78 (7.00)	Ø20.32 (8.00)	Ø20.32 (8.00)	Ø25.72 (10.13)
B	Ø11.43 (4.50)	Ø16.83 (6.63)	Ø16.83 (6.63)	Ø21.92 (8.63)
C	Ø17.78 (7.00)	Ø22.23 (8.75)	Ø22.23 (8.75)	Ø33.02 (13.00)
D	Ø8.10 (3.19)	Ø7.62 (3.00)	Ø7.62 (3.00)	Ø10.80 (4.25)
E	17.15 (6.75)	19.94 (7.85)	19.94 (7.85)	24.51 (9.65)
F	36.20 (14.25)	47.50 (18.70)	67.82 (26.70)	67.74 (26.67)
G	46.36 (18.25)	57.66 (22.70)	77.98 (30.70)	77.90 (30.67)
H	N/A	21.77 (8.57)	21.77 (8.57)	23.16 (9.12)

Pelco by Schneider Electric

3500 Pelco Way, Clovis, California 93612-5699 United States

USA & Canada Tel (800) 289-9100 Fax (800) 289-9150

International Tel +1 (559) 292-1981 Fax +1 (559) 348-1120

www.pelco.com www.pelco.com/community

Pelco, the Pelco logo, and other trademarks associated with Pelco products referred to in this publication are trademarks of Pelco, Inc. or its affiliates. ONVIF and the ONVIF logo are trademarks of ONVIF Inc. All other product names and services are the property of their respective companies.

Product specifications and availability are subject to change without notice.

©Copyright 2013, Pelco, Inc. All rights reserved.