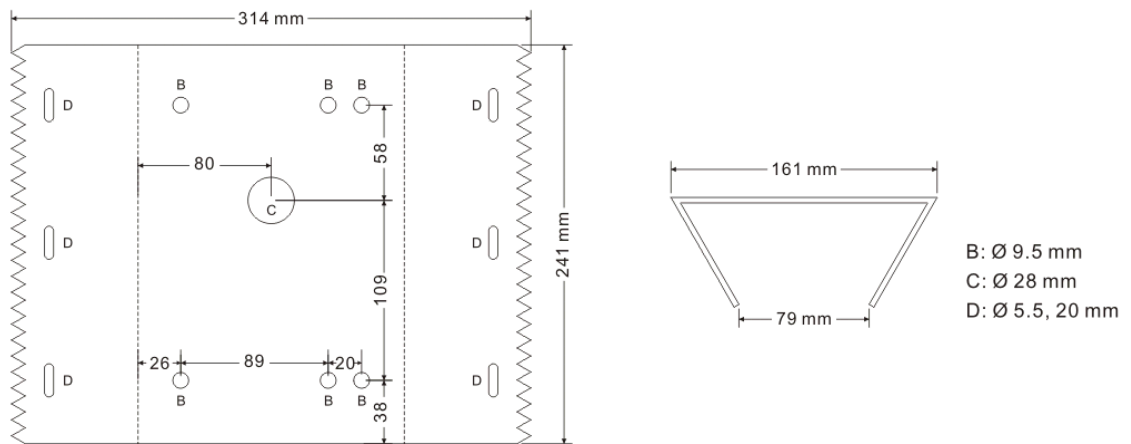
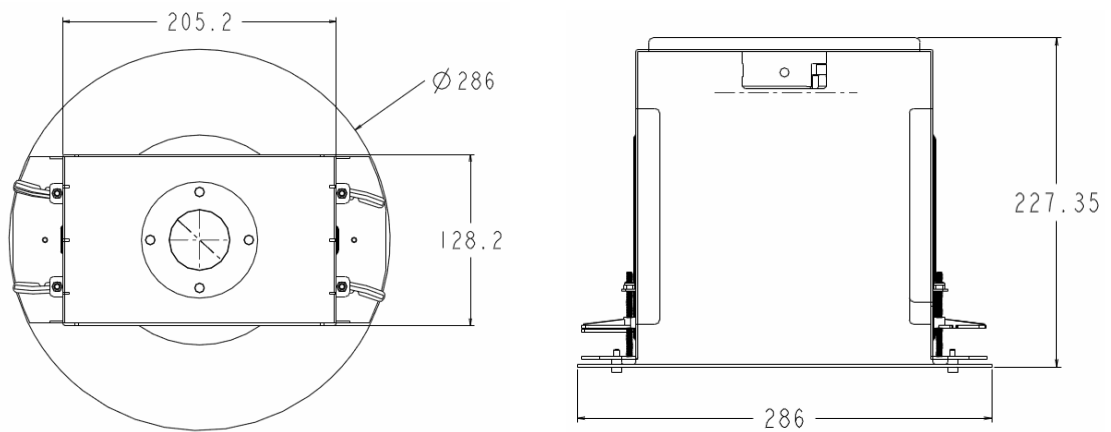


Model No.	Name	Details
GV-Mount907	In-Ceiling Mounting Kit for GV-SD220 IP Speed Dome 	<p>Dimension Ø 230 x 153.49 mm / Ø 9.08 x 6.05 in</p> <p>Weight 0.87 kg / 1.91 lb</p> <p>Supplied with In-ceiling cover x 1 Mounting ring x 1 Mounting plate x 1 Support rack x 3 Screw x 9 Thread lock & screw x 1 set Lock plate & screw x 1 set Hex key x 1</p>
GV-Mount908	In-Ceiling Mounting Kit for GV-SD220-S IP Speed Dome 	<p>Dimension Mounting plate: 227 x 286 mm</p> <p>Weight 2.05 Kg / 4.5 lb</p> <p>Supplied with Screw x 4 Hex key x 1 M6 screw x 4 Installation sticker x 1 M4 screw x 2 In-ceiling cover x 1</p>

• **GV-Mount400**



• **GV-Mount908**



5.3 GV-SD220-S In-Ceiling Mount

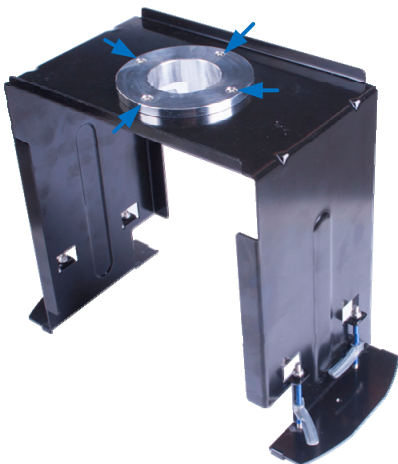


This installation method is only applicable to **outdoor GV-IP Speed Dome (GV-SD220-S)**. **The complete installation weights 6.75 Kg / 14.88 lb. Make sure the chosen ceiling can bear the weight.**

Required Items

- GV-Mount908

-
1. Assemble the housing cap (GV-Mount908, No. 1) with the mounting plate (GV-Mount908, No. 2) with 4 screws (GV-Mount908, No. 3).

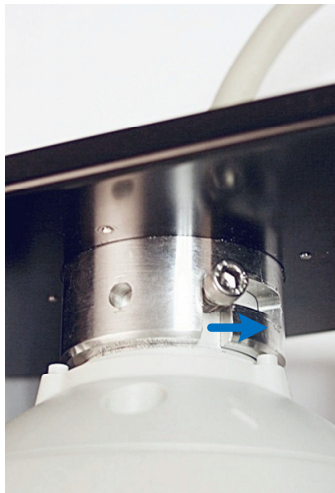


IMPORTANT: The housing cap only fits the mounting plate in a certain position. Rotate the housing cap on the mounting plate to make sure it fits tightly before securing it to the mounting plate.

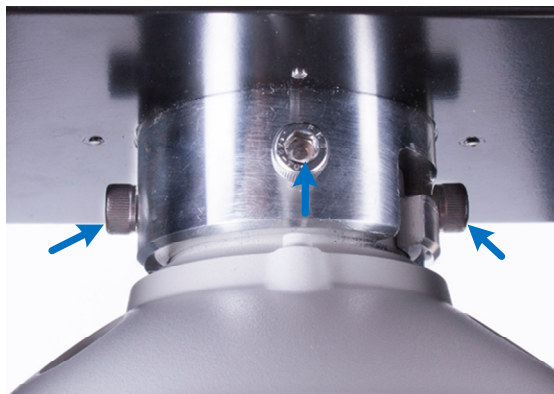
2. Remove the camera dome.



3. Secure the camera with the assembled mounting plate.
 - A. Put 2 screws (GV-Mount908, No. 4) loosely on the opposite sides of the camera.
 - B. Thread the camera cable through the mounting plate and the housing cap.
 - C. Rotate the camera so that the screws lodge in the housing cap at the indicated position.

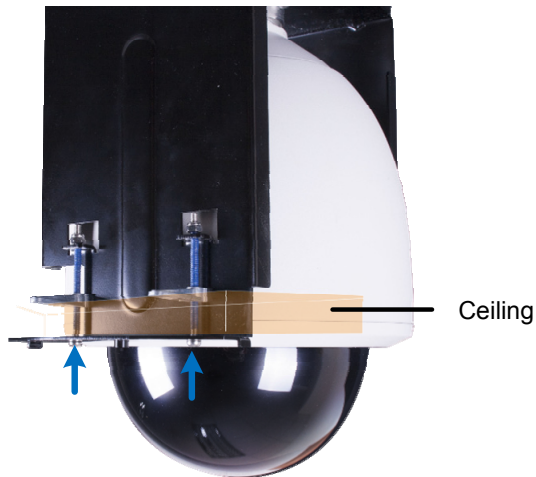


- D. Put on another 2 screws (GV-Mount908, No. 4) and use the hex key (GV-Mount908, No.5) to secure all 4 screws tightly.



5 Installing the GV-SD220/220-S

4. Drill the ceiling. Use the installation sticker (GV-Mount908, No. 6) to help you estimate the size of the camera.
5. Thread the camera cable through the ceiling and insert the camera. Adjust the 4 screws to clip the camera tightly to the ceiling.



6. Secure the in-ceiling cover (GV-Mount908, No. 7) with 2 screws (GV-Mount908, No. 8) using the hex key (standard package).



7. Connect the network, power and other cables to the camera. See *1.6 Connecting the Camera, GV-IP Speed Dome GV-SD220 User's Manual* on the software CD.