

## GV-TM0100 CIF H.264 Thermal IP Camera



- CIF Uncooled FPA micro bolometer, 25  $\mu$ m pixel size
- Thermal sensitivity:  $\leq 100$  mK at f/1,300K
- Spectral range: 8 ~ 14  $\mu$ m
- Single stream from H.264 or MJPEG
- Up to 25 fps at 352 x 288
- 2x digital zoom
- Up to 1450 m (4757 ft) detection range for human targets and 1850 m (6070 ft) for vehicles
- Up to 480 m (1575 ft) recognition range for human targets and 920 m (3018 ft) for vehicles
- Ingress protection (IP66)
- DC 12V / PoE (IEEE 802.3af)
- Motion detection
- Privacy mask
- Text overlay
- IP address filtering
- CE, FCC, RCM, RoHS compliant
- Support for iPhone, iPad, Android and 3GPP
- 28 languages on Web interface

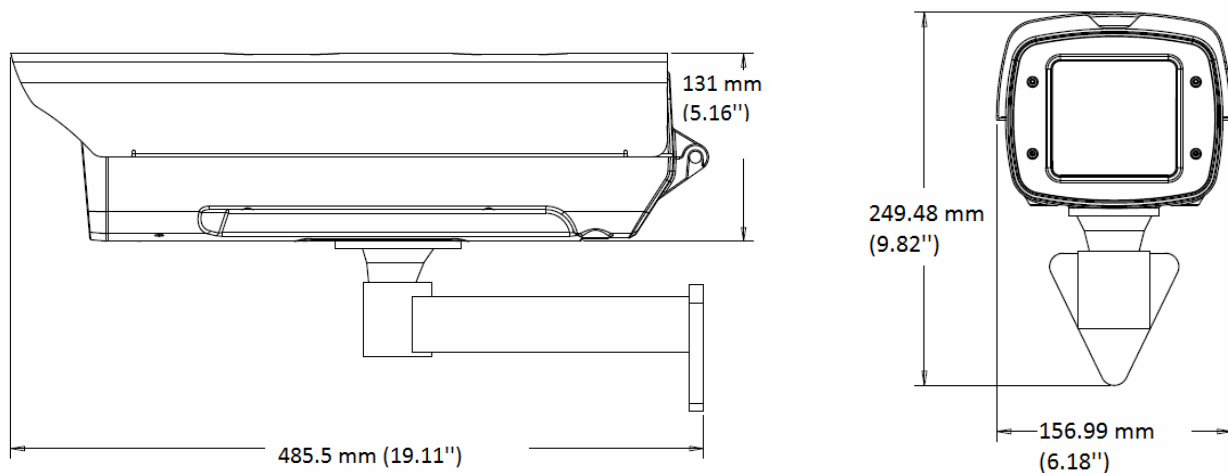
### Introduction

GV-TM0100 is an outdoor thermal IP camera capable of producing black-and-white images based on the detected temperature of the people, vehicles and environment. Unlike traditional cameras that rely on visible light, GV-TM0100 is unaffected by the lighting conditions and allows you to detect movements even in complete darkness and backlit scenes.

Ideal for border surveillance and sparsely populated areas, GV-TM0100 can detect human-sized targets at a distance of 1450 m (4757 ft) and vehicles at 1850 m (6070 ft).

GV-TM0100 can be easily configured through its Web interface and you can record and play back recordings using the GV-VMS software included in the standard package.

### Dimensions



## Specifications

Camera		
Image Sensor	Uncooled FPA micro bolometer	
Picture Elements	352 (H) x 288 (V)	
Pixel Size	25 $\mu$ m	
Thermal Sensitivity	$\leq 100$ mK at f/1,300K	
Spectral Range	8 ~ 14 $\mu$ m	
Gain Control	Auto, Manual	
Optics Lens		
Focal Length	40 mm	
Horizontal FOV	13.7°	
Operation	Focus	Auto / Manual
	Zoom	2x (Digital)
	Iris	N/A
Operation		
Video Compression	H.264, MJPEG	
Video Stream	Single stream from H.264 or MJPEG	
Frame Rate	25 fps at 352 x 288 (60/50 Hz) * The frame rate and performance may vary depending on the number of connections and data bit-rates (different scenes).	
Image Setting	Brightness, Contrast	
Noise Reduction	Yes	
Audio Support	No	
Sensor Input	No	
Alarm Output	No	
Video Resolution		
Main Stream	5 : 4	352 x 288
Network		
Interface	10/100 Ethernet	
Protocol	DHCP, DynDNS, HTTP, HTTPS, NTP, QoS (DSCP), RTSP, SNMP, SMTP, TCP, UDP, UPnP, 3GPP/ISMA	
Observation Range		
Detection (2 pixels on target)	Human (1.8 x 0.5 m)	1450 m (4757 ft)
	Car (2.3 x 2.3 m)	1850 m (6070 ft)
Recognition (4 pixels on target)	Human (1.8 x 0.5 m)	480 m (1575 ft)
Recognition (6 pixels on target)	Car (2.3 x 2.3 m)	920 m (3018 ft)
Mechanical		
Connectors	Power	2-pin terminal block, PoE
	Ethernet	Ethernet (10/100 Base-T), RJ-45 cable
General		
Environment Temperature	0°C ~ 40 °C (32 °F ~ 104 °F)	
Humidity	20% to 90% (no condensation)	
Power Source	12V DC / PoE (IEEE 802.3af)	
Max. Power Consumption	10 W	
Dimensions	485.5 x 249.48 x 156.99 mm (19.11" x 9.82" x 6.18")	
Weight (with rack)	2.75 kg (6.06 lb)	
Ingress Protection	IP66	
Regulatory	CE, FCC, RCM, RoHS compliant	
Power over Ethernet		
PoE Standard	PoE (IEEE 802.3af Power over Ethernet / PD)	
PoE Power Supply Type	End-span	
PoE Power Output	Per Port 48V DC, 350 mA, Max. 15.4 watts	
Web Interface		
Installation Management	Web-based configuration	
Maintenance	Firmware upgrade through Web Browser or Utility	
Access from Web Browser	Camera Live View, Video Recording, Bandwidth Control, Image Snapshot, Picture in Picture, Picture and Picture, Privacy Mask, Tampering Alarm, Text Overlay, Digital PTZ	

Language	Bulgarian / Czech / Danish / Dutch / English / French / German / Greek / Hebrew / Hungarian / Italian / Indonesian / Japanese / Norwegian / Lithuanian / Persian / Polish / Portuguese / Romanian / Russian / Serbian / Simplified Chinese / Slovakian / Slovenian / Spanish / Thai / Traditional Chinese / Turkish
<b>Application</b>	
Network Storage	GV-VMS and GV-Recording Server
Smart Device Access	GV-Eye for iOS and Android
Live Viewing	Browser (IE, Firefox, Safari) and Mobile app


**Note:** Specifications are subject to change without prior notice.

### Packing List

- |                                   |                             |
|-----------------------------------|-----------------------------|
| 1. Thermal IP Camera              | 6. Silica Gel Bag           |
| 2. Supporting Rack                | 7. 12V Power Adapter        |
| 3. Hex Key                        | 8. GV-IPCAM Software CD/DVD |
| 4. Rubber pad for supporting rack | 9. GV-Software DVD          |
| 5. Philips Cap Screw x2           | 10. Warranty Card           |

**Note:** The power adapter can be excluded upon request.

### Accessories

Model No.	Name		Details
GV-PA191 PoE Adapter	Power over Ethernet (PoE) Adapter		The GV-PA191 is a Power over Ethernet (PoE) adapter designed to provide power to the IP device through a single Ethernet cable.
GV-POE Switch	The GV-POE Switch is designed to provide power along with network connection for IP devices. The GV-POE Switch is available in various models with different numbers and types of ports.		