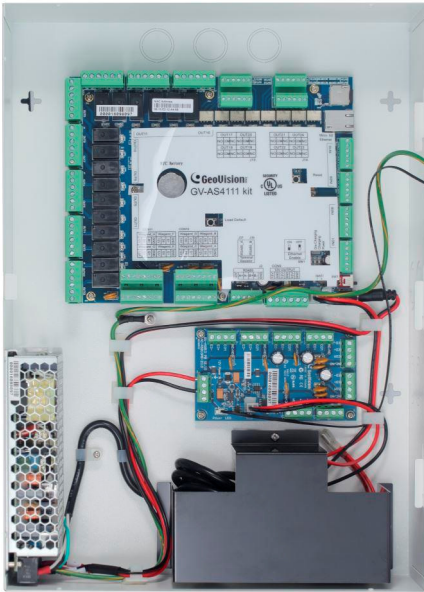


## GV-AS4111Kit



GV-AS4111 Kit is a cabinet containing a GV-AS4111, a power adapter board, a power supply and a casing for backup battery. The power supply provides power to GV-AS4111 Kit and up to 8 output devices (12V, 0.5A per device).

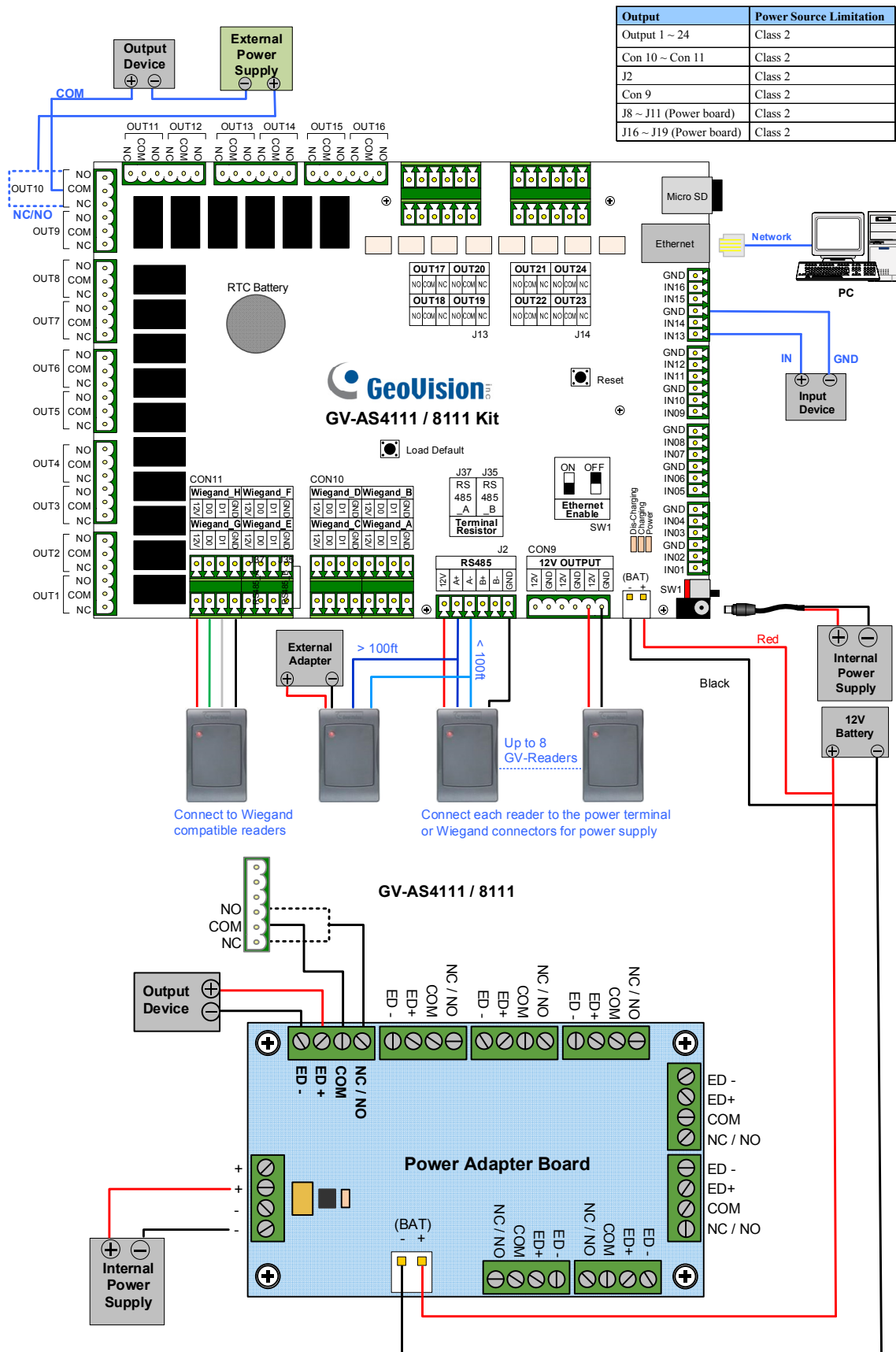
### Key Features

- One-way control: 4 doors
- Two-way control: 4 doors by Wiegand / RS-485 / Network
- Support 8 Wiegand card readers of 26 to 64 bits
- Support 8 GV-Readers through RS-485 connection / Network
- Built-in 16 digital inputs and 24 relay outputs
- Suitable for doors, parking gates and access to elevator call buttons
- Support for tampering alarm

### Packing List

- GV-AS4111 Kit (US standard or EU standard)
- Iron box key
- Iron box screw x 6
- Self-adhesive cable tie mounts x 6
- Battery wiring
- Micro SD Card 2 GB
- Software CD
- Warranty Card

GV-AS4111 Kit Standard Application



## Specifications

<b>System Requirements</b>		
GV-ASManager Version	GV-ASManager V4.2.3 or later	
<b>Software</b>		
One-Way Control	4 doors	
Two-Way Control	4 doors	
<b>Hardware</b>		
CPU	32-bit ARM7TDMI	
Number of User Cards	100,000 cards	
Event Buffer	1,000,000 events and log data	
Power	100 ~ 120V AC, 50 ~ 60 Hz, 1.7A	
RS-485 Interface	1 RS-485 interface only for GV-Readers and GV-GF Fingerprint Readers (max. 8 Readers) Distance 600 m (1968.50 ft), 24 AWG, 13V DC min., 85 °C min.	
Wiegand Interface	8 Wiegand interfaces, 26 ~ 64 bit format, distance 100 m (328.1ft), 24 AWG, 13V DC min., 85 °C min.	
TCP/IP Interface	1 TCP/IP interface for GeoVision network readers	
Communication	TCP/IP	
Battery	Built-in battery, replaceable button cell (CR2032)	
Input	16 inputs, dry contact, NO/NC	
Output	1~16 relay output / 30V DC, 3A 17~24 relay output / 30V DC, 1A	
Operating Temperature	0 ~ 65 °C / 32 ~ 149 °F	
Operating Humidity	10% ~ 90% RH (non-condensing)	
Dimension (W x H x D)	420 x 300 x 110 mm / 16.5 x 11.8 x 4.33 in	
Weight	4.4 kg / 9.68 lb	
Certification	UL 294, CE, FCC, RoHS	
<b>Power Adaptor Board</b>		
Output	DC Voltage Range	12V
	Rated Current	0.5A
	Rated Power	6W
Number of connectors	Input	2
	Output	8
Wire Size (AWG)	12 - 22	
<b>Power Supply</b>		
Output	DC Voltage Range	11V ~ 13V (Nominal 12V)
	Rated Current	13A
	Rated Power	150 W
Input	US Standard (UL)	110 ~ 120V, 50 Hz / 60 Hz, 1.7 A
	EU Standard	200 ~ 240V, 50 Hz / 60 Hz

### Note:

- RS485 and TCP/IP interfaces only support GeoVision readers, while Wiegand interface supports both GeoVision and 3rd party readers (Wiegand 26~64 Bits).
- GV-AS Controllers do not support 3rd party access control software.
- UL 294 Attack Class Level 1 depends on other connected equipment.
- Specifications are subject to change without notice.

## Options

Optional devices can expand the capabilities and versatilities of your GV-AS Controllers. Consult your sales representative for more information.

GV-Reader 1251	GV-Reader 1251 is a card reader that uses a 125 kHz frequency. It has both Wiegand and RS-485 outputs that can be connected to any standard access control panel.
GV-RK1352	GV-RK1352 is a card reader with keypad that uses a 13.56 MHz frequency. The reader has both Wiegand and RS-485 outputs that can be connected to any standard access control panel.
GV-R1352	GV-R1352 is a card reader that uses a 13.56 MHz frequency. The reader has both Wiegand and RS-485 outputs that can be connected to any standard access control panel.
GV-DFR1352	GV-DFR1352 is a card reader that uses a 13.56 MHz frequency. The reader has both Wiegand and RS-485 outputs that can be connected to any standard access control panel.
GV-GF Fingerprint Reader	The reader supports three operation modes: Fingerprint Only, Fingerprint + Card and Card Only. In Fingerprint Only mode, the fingerprints are enrolled through GV-ASManager. In Fingerprint + Card mode, the fingerprint templates are stored on the user card. In Card Only mode, the users only need to swipe the card to be granted access. Readers with optical and capacitance sensors are available.
GV-CR420	GV-CR420 is a card reader with a built-in 4MP wide angle IP camera. The card reader recognizes identification cards and transmits live view through network connection.
Push Button Switch	The push button switch can be integrated with access control system, allowing door exit by momentarily activating or deactivating the electric locking device. Both American standard and European standard push buttons are available.
GV-IB25 / 65 / 85 Infrared Button	The GV-IB25 / 65 / 85 Infrared Button detects infrared movement within 3 to 12 cm and allows you to open the door with a wave of hand.
Electric Lock	Three types of electric locks are available: electromagnetic lock, electric bolt and electric strike.
GV-RU9003	GV-RU9003 is a Radio Frequency Identification (RFID) reader of ISO 18000-6C (EPC GEN2) standard. Designed for parking lot management, the reader can read RFID tag within 10 m (32.8 ft). Wiegand interface supports GeoVision AS2xxx/4xxx/8xxx controllers.
GV-AS ID Card / Key Fob & GV-UHF Tag	GV-AS ID Card and GV-AS ID Key Fob are ideal for business and residential environment, where access control is important for security reasons. 125 KHz and 13.56 MHz cards and key fobs are available. GV-UHF Tag is ideal for parking lot management. 900 MHz UHF Tag is available.