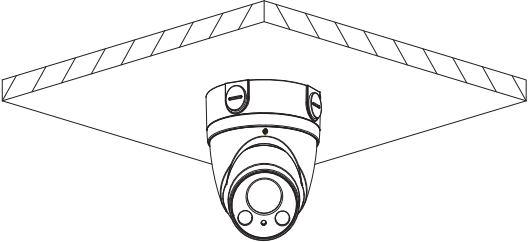
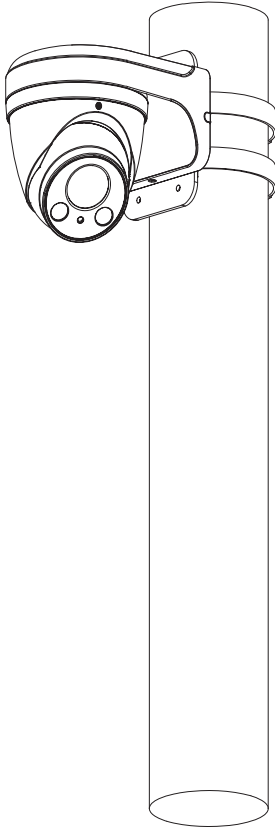
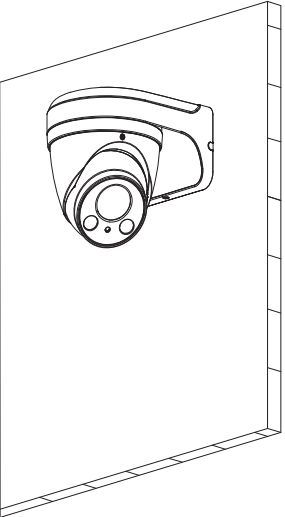


Junction Mount	Pole Mount
PFA130-E	PFB203W + PFA152-E
 A line drawing showing a dome-shaped camera mounted to a ceiling. The camera is positioned in the center of a square ceiling panel, with lines indicating its connection to the ceiling structure.	 A line drawing showing a dome-shaped camera mounted to a vertical pole. The camera is attached to the pole via a bracket with a strap-like component. The pole is represented as a simple vertical cylinder.
Wall Mount	
PFB203W	
 A line drawing showing a dome-shaped camera mounted to a wall. The camera is attached to a rectangular wall plate with a bracket. The wall plate is shown with a grid pattern on its surface.	