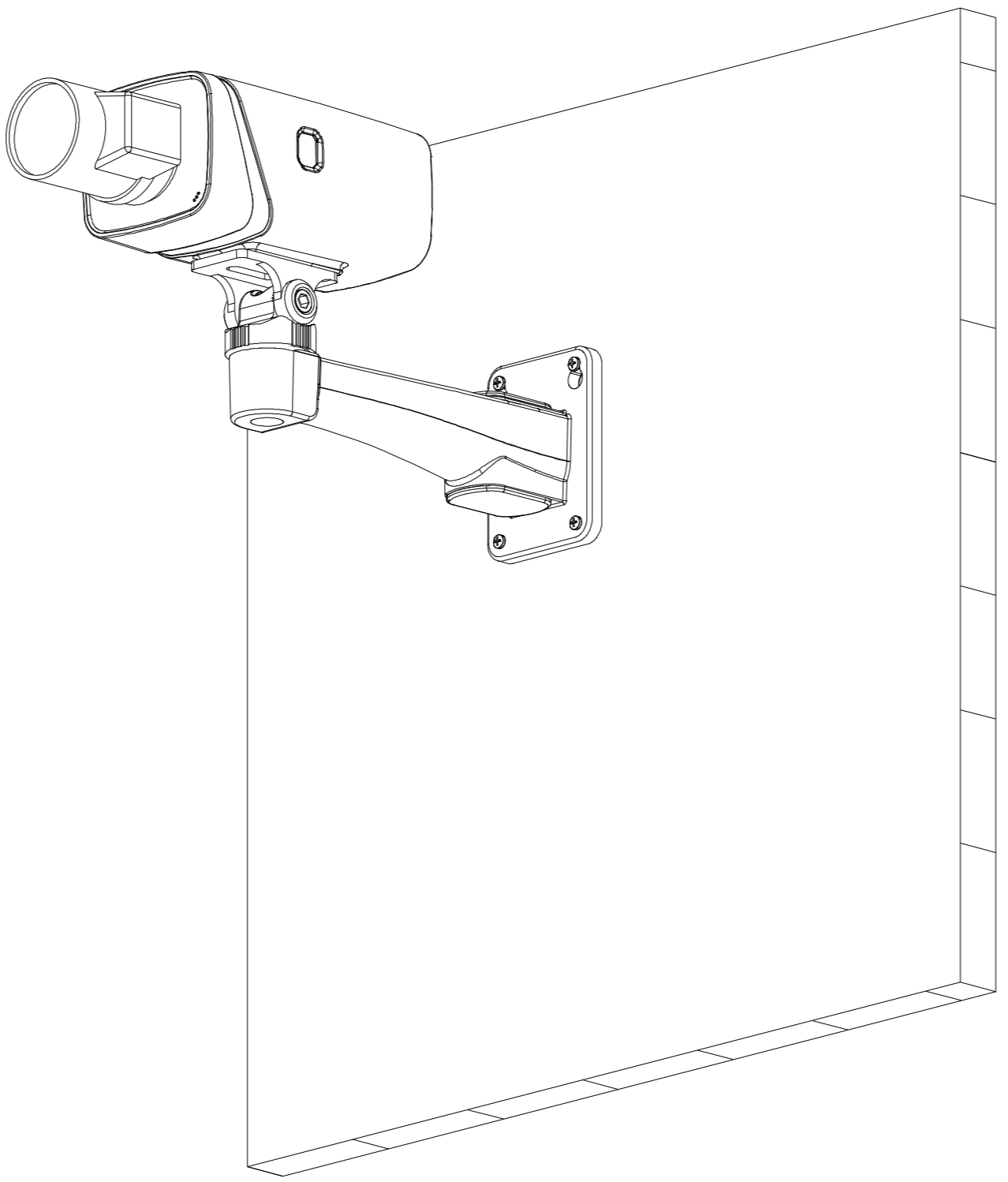
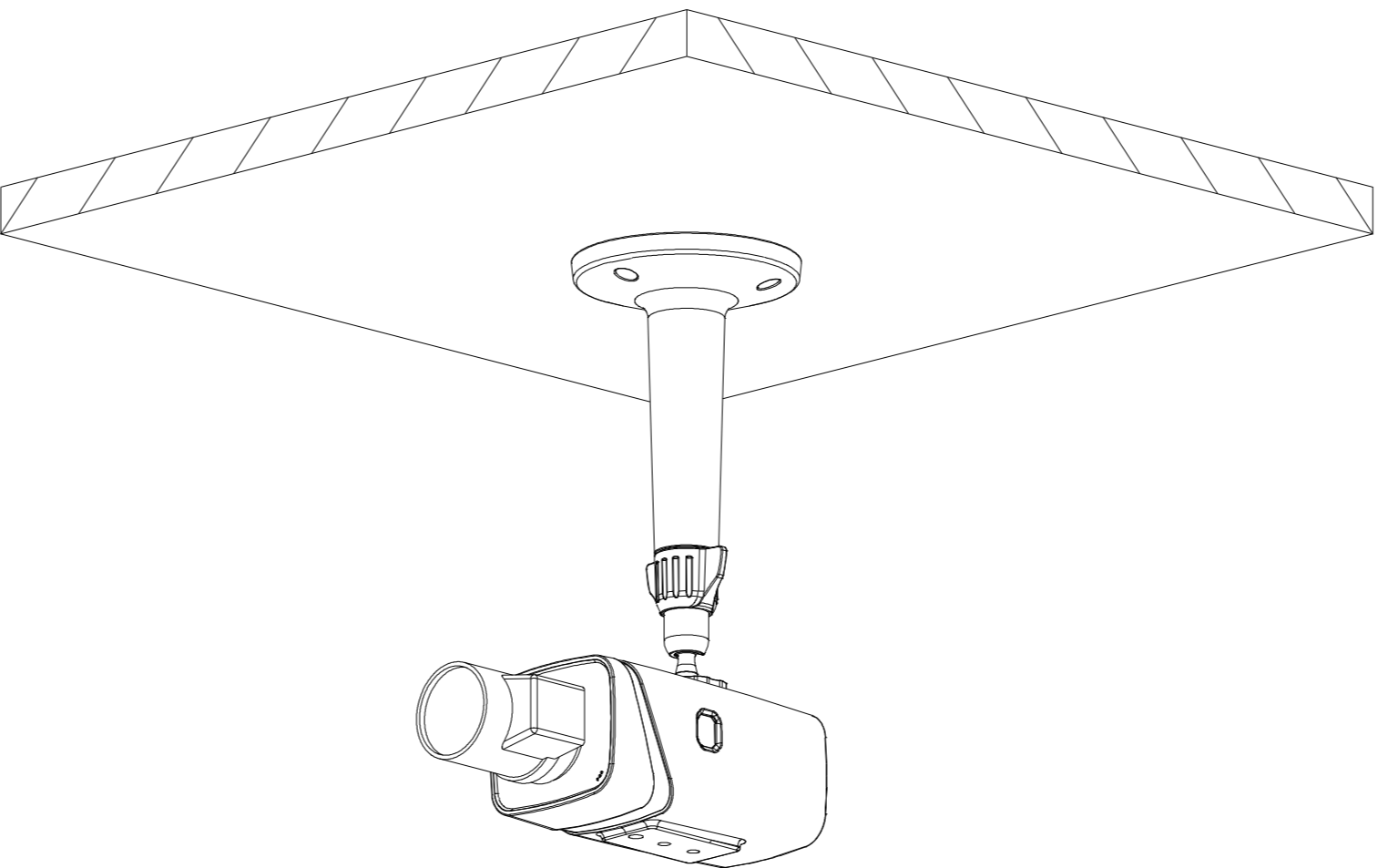


Wall Mount	Ceiling Mount
PFB121W	PFB110W
 A technical line drawing showing a camera mounted on a wall. The camera is attached to a bracket that is secured to a vertical surface. The camera lens is pointed downwards and slightly to the left.	 A technical line drawing showing a camera mounted on a ceiling. The camera is suspended from a square ceiling panel by a vertical rod. The camera lens is pointed downwards.