

IMAX-PFA110

Hanging Mount Adapter



Features

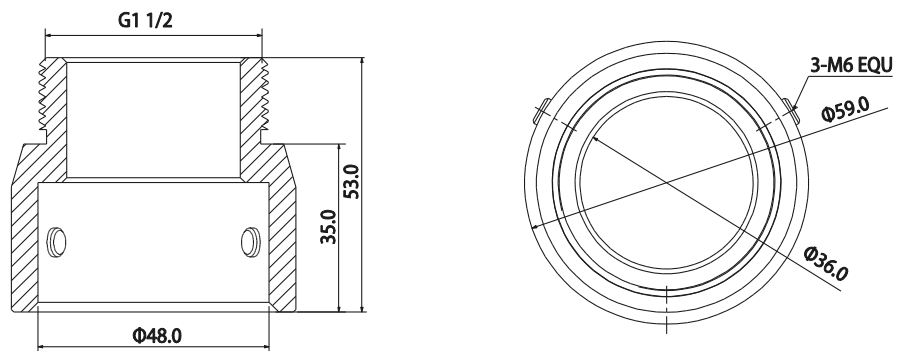
- Material: Aluminum
- Hanging Mount Adapter
- Neat & Integrated design

Specifications

Model	IMAX-PFA110
General	
Material	Aluminum
Dimension (W x H x D)	Φ59mm x 53mm
Pipe Thread	1 1/2" PF
Operating Temperature	-40°C ~60°C
Humidity	0~90% RH
Load Bearing	N/A
Weight	0.2kg
Applicable Model	SD40

IMAX-PFA110

Dimensions (mm)



Application

