

IMAX-PFA114

Hanging Mount Adapter



Features

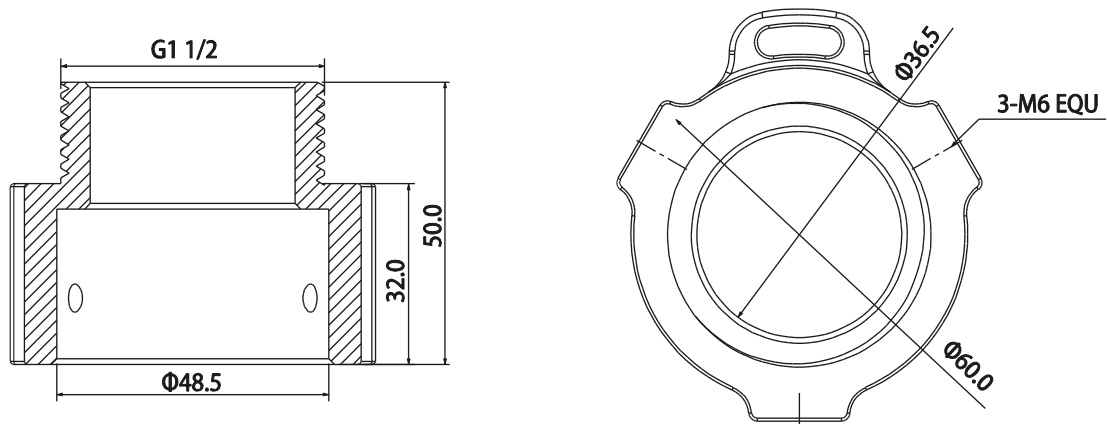
- Material: Aluminum
- Hanging Mount Adapter
- Neat & Integrated design

Specifications

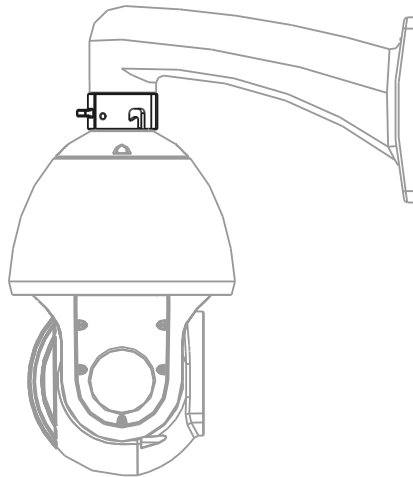
Model	IMAX-PFA114
General	
Material	Aluminum
Dimension (W x H x D)	Φ60mm x 50mm
Pipe Thread	1 1/2" PF
Operating Temperature	-40°C ~60°C
Humidity	0~90% RH
Load Bearing	N/A
Weight	0.25kg
Applicable Model	SD64, SD6C

IMAX-PFA114

Dimensions (mm)



Application



ImaxCamPro Technology Co., Ltd.

1187 BinAn Road, Binjiang District, Hangzhou, China

Tel: +86-571-87688883

Fax: +86-571-87688815