

8MP Full-Color Panoramic Fixed Lens Network Camera

4K
ULTRA HD

Full-Color



The ENS panoramic cameras with Full-Color harness pioneering pixel-level image registration technology with the image fusion algorithm to stitch together a 180-degree horizontal field of view, delivering brilliant and seamless panoramas with more lively details. Wide-area security footage helps improve situational awareness and reduces the amount of cameras required for comprehensive monitoring, aiding cost efficiency.



MODEL(S) AVAILABLE

KEY FEATURES

- ▶ High quality imaging with 8MP resolution
- ▶ One image that presents all the scenes covered by the camera
- ▶ 24/7 Full-Color imaging
- ▶ Efficient H.265+ compression technology
- ▶ Clear imaging against strong back light due to 130 dB true WDR technology
- ▶ Focus on human and vehicle classification based on deep learning
- ▶ Active strobe light and audio alarm to warn intruders off
- ▶ Water and dust resistant (IP67)

Product Specifications

Camera	
Image Sensor	2x 1/1.8" progressive scan CMOS
Image Resolution	5120 (H) x 1440 (V)
Electronic Shutter	1/3 s ~ 1/100,000 s
Minimum Illumination	Color: 0.0005 lux @ F1.0, AGC on; 0 lux with light
IR LEDs	N/A
IR Distance	N/A
Illuminator	White Light, up to 131 ft (40 m)
Lens Type	Fixed
Iris Type	Fixed
Focal Length	4 mm
Angle of View	Horizontal: 180° ±10°
	Vertical: 44°
	Diagonal: N/A
Max. Aperture	F1.0
Depth of Field	3.6 m - ∞
Wide Dynamic Range	130 dB true WDR
Optical Zoom	N/A
Pan / Tilt / Rotation	Pan: 0°~355°; Tilt: 0°~90°; Rotation: 0°~360°

Video Standard	
Video Compression	H.265+ / H.265 / H.264+ / H.264 / MJPEG
Smart Codec	N/A
Streaming Capability	2 Streams
Video Resolution (Max.)	5120 x 1440
Video Frame Rate (Main Stream)	WDR On: 5120x1440 @ 12.5/15 fps
	WDR Off: 5120x1440 @ 20 fps
Video Frame Rate (Sub-Stream)	WDR On: 1920x536/960x272 @ 12.5/15 fps
	WDR Off: 1920x536/960x272 @ 20 fps
Bit Rate Control	CBR, VBR
Video Bitrate	32 Kbps ~ 16 Mbps
Day / Night	Auto / Schedule
Image Enhancement	BLC, HLC, 3D DNR
White Balance	Yes
Gain Control	Yes
Motion Detection	Yes
Region of Interest	1 Fixed region for main stream
Live View	Simultaneous view of up to 6 channels

Network & Interface	
Ethernet	RJ-45 10M/100M Ethernet port
Streaming Method	N/A
Network Protocol	TCP/IP, ICMP, HTTP, HTTPS, FTP, DHCP, DNS, DDNS, RTP, RTSP, NTP, UPnP, SMTP, IGMP, 802.1X, QoS, IPv6, UDP, Bonjour, SSL/TLS, PPPoE, SNMP
Network Interoperability	Open Network Video Interface (Profile S/G, Profile T), ISAPI, SDK, ISUP
Network Max. Users	32
Storage	Built-in memory card slot, support microSD/microSDHC/microSDXC/TF card, up to 256 GB
Audio I/O	1 (line in)/1 (line out)
Alarm I/O	1/1 (max. 24 V DC, 1 A)

Audio Type	Mono sound
Audio Compression	G.711/G.722.1/G.726/MP2L2/PCM/MP3/AAC-LC
Audio Bitrate	64 Kbps (G.711ulaw/G.711alaw) / 16 Kbps (G.722.1) / 16 Kbps (G.726) / 32 -192 Kbps (MP2L2) / 8 - 320 Kbps (MP3) / 16 - 64 Kbps (AAC-LC)
Audio Sampling Rate	8 kHz / 16 kHz / 32 kHz / 44.1 kHz / 48 kHz
Environment Noise Filtering	Supported
Built-in Mic	Yes
Built-in Speaker	Yes
Reset Button	Yes

Event	
Basic Event	Motion detection (support alarm triggering by specified target types (human and vehicle)), alarm input and output, flashing alarm light output, audible alarm output, exception
Smart Event	Line crossing detection, intrusion detection, region entrance detection, region exiting detection (support alarm triggered by specified target types (human and vehicle)), scene change detection
Linkage	Upload to FTP/NAS/memory card, notify surveillance center, send email, trigger alarm output, trigger recording, trigger capture, audible warning, white light flashing

Perimeter Protection	Line crossing, intrusion, region entrance, region exiting (support alarm triggering by specified target types (human and vehicle))
----------------------	--

General	
Power Supply	12 V DC ±25% / PoE (802.3at Class 3)
Power Consumption	< 10.5 W
Operating Temperature	-30°C ~ 60°C (-22°F ~ 140°F) / Less than 95% RH (non-condensing)
Storage Temperature	-30°C ~ 60°C (-22°F ~ 140°F) / Less than 95% RH (non-condensing)
Flashing Light	Supported
Protection	IP67
Casing	Metal
Dimensions	118.6 mm x 105.1 mm x 305.4 mm (4.7" x 4.1" x 12")
Weight	1420 g (2.1 lb)
EMC	FCC: 47 CFR Part 15, Subpart B, CE-EMC: EN 55032: 2015, EN 61000-3-2:2019, EN 61000-3-3: 2013+A1:2019, EN 50130-4: 2011 +A1: 2014, RCM: AS/NZS CISPR 32: 2015, IC: ICES-003: Issue 7
Safety	UL: UL 62368-1, CB: IEC 62368-1: 2014+A11, CE-LVD: EN 62368-1: 2014/A11: 2017

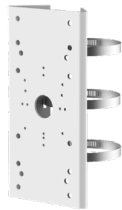
Product Specifications

Environment	CE-RoHS: 2011/65/EU, WEEE: 2012/19/EU, Reach: Regulation (EC) No 1907/2006
-------------	--

Product Accessories

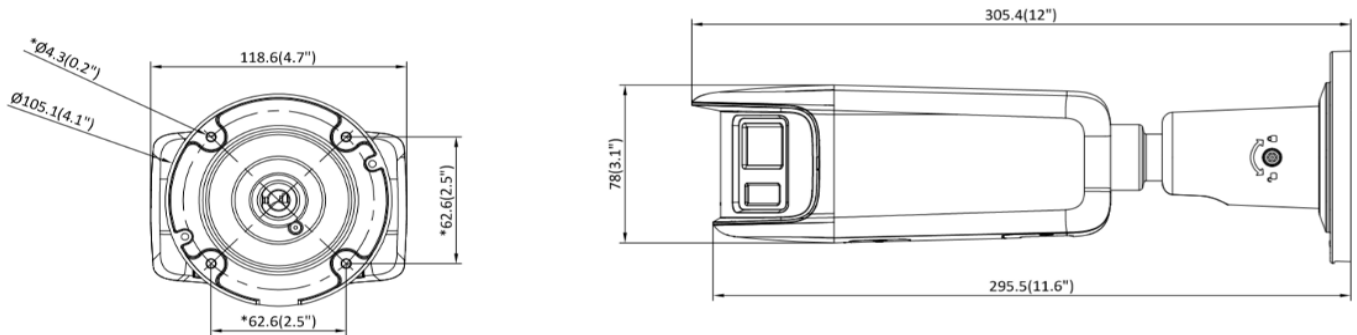


ES1473ZJ-155



ES1275ZJ-SUS

Product Dimensions (mm [inch])



Unit: mm (inch)