

## AMX-80104H5-BN

### 4 CH Hybrid DVR



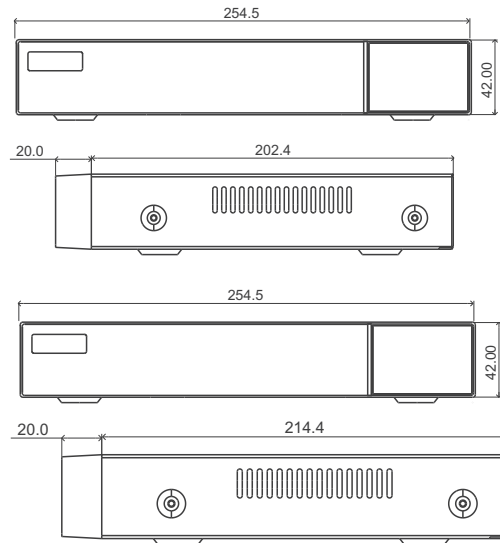
ED8004H5-BN is a 4 CH 1080P high definition DVR with ability to connect analog and IP cameras simultaneously, which adopt the standard H.265 high profile compression format and the most advanced SOC technique to ensure real time recording in each channel and realize outstanding robustness of the system. ED8004H5-BN supports 4 CH video input, 1 CH audio input, simultaneous 4 CH playback. The series of product can meet different security requirements of home, financial, commerce, enterprise, transportation and government, etc.



## Features

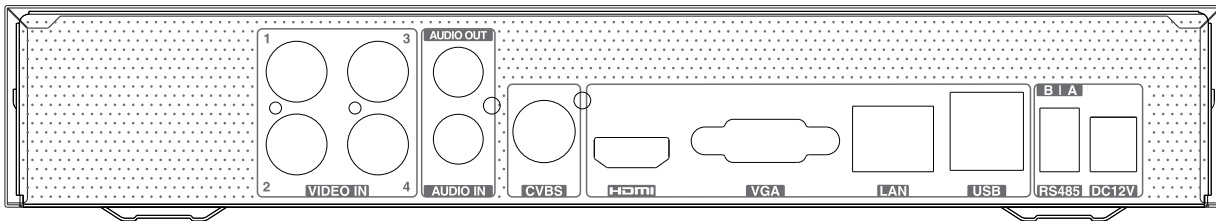
- 4 CH TVI / AHD/CVI 5MP/4MP/1080P/720P/WD1 video input
- 4 CH DVR supports 2 CH 5MP / 4MP / 3MP /1080P / 960P /720P IP video input  
Adopt standard H.265 high profile compression format to get high-quality
- video at much lower bit rate
- Intuitive and user-friendly Graphics User Interface ( GUI ), window style operation
- by mouse
- Multi-mode recording: manual / timed / motion / AI recording
- Playback : 4 CH simultaneously playback
- Search: time slice, time, event, tag search
- Express and flexible backup via USB, network and so on
- Pentaplex: preview, record, playback, backup and remote access
- DHCP, DDNS, PPPoE network protocol
- Remote control via Web or CMS : preview, playback, backup, PTZ and configuration
- Dual stream technology for local storage with high definition, remote network
- transmission and remote surveillance with mobile device Authorization management,
- log review and device status review
- Support 1080P output, true high resolution display
- Support PTZ preset and auto cruise, up to 255 presets and 8 cruises
- Support NAT function and QRCode scanning by mobile phones
- Powerful mobile surveillance by smart phones with iOS and Andriod OS
- 
- 

## Dimensions



## Rear Panel

### ED8004H5-BN



## SPECIFICATIONS

Model		ED8004H5-BN
System	OS	Embedded Linux
Video	Analog Video Input	BNC × 4
		BNC interface (1.0Vp-p; 75Ω)
		TVI/AHD/CVI : 5MP/4MP/1080P/720P/WD1
	IP Video Input	2CH
		Up to 5MP@25fps
	Total Input	6CH
	Output	HDMI × 1 : 1920 × 1080 / 1280 × 1024 / 1024 × 768 VGA × 1 : 1920 × 1080 / 1280 × 1024 / 1024 × 768 BNC × 1 : CVBS ( used as the main or spot output )
Compression	H.264/H.265	
Multi-screen Display	1/4/6/9	
Audio	Input	RCA × 1
	Output	RCA × 1 (linear, 600Ω)
	Two-way audio	Take up channel one audio input
	Compression	G.711(U/A)
Record	Resolution	5MP Lite/4MP Lite/1080P/1080P Lite/720P/WD1
	Frame Rate	Analog Channel: 5MP Lite : 10fps; 4MP Lite/1080P : 12fps (PAL)/15fps (NTSC); 1080P Lite/720P/WD1 : 25fps (PAL)/30fps (NTSC) IP Channel: 25fps (PAL)/30fps (NTSC)
	Bit Rate	32Kbps ~ 4Mbps
	Mode	Manual, timer, motion, smart event
Playback	Playback	4CH
	Search	Time slice / time / event / tag search
	Smart Search	Highlight colors to display the camera record in a certain period of time, different colors refer to different record events
	Function	Play, pause, FF, FB, digital zoom, etc.
Alarm	Mode	Manual, motion, exception, smart event
	Input	No
	Output	No
Network	Interface	RJ 45 100Mbps × 1
	Protocol	TCP/IP, PPPoE, DHCP, DNS, DDNS, UPnP, HTTP, HTTPS, NTP, SMTP
	Incoming Bandwidth	16Mbps
	Outgoing Bandwidth	40Mbps
Client Connection	Max. 5 users access	
Mobile Device	OS	iOS, Andriod
Storage	HDD	SATA × 1, up to 10TB
Backup	Local Backup	U disk, USB mobile HDD
	Network Backup	Yes
Port	RS 485	RS 485 × 1 (half-duplex)
	USB	USB 2.0 × 2 ( in the rear panel )
	Remote Controller	Optional
Others	Power Supply	DC12V / 1.5A
	Consumption	≤5W( without HDD)
	Dimensions(mm)	255× 222× 42( W × D × H )
	Working Environment	-10~50°C, 10%~90% (humidity)
	Certificate	CE, FCC
Environmental Protection	Comply with Directive EU RoHS, WEEE, REACH	