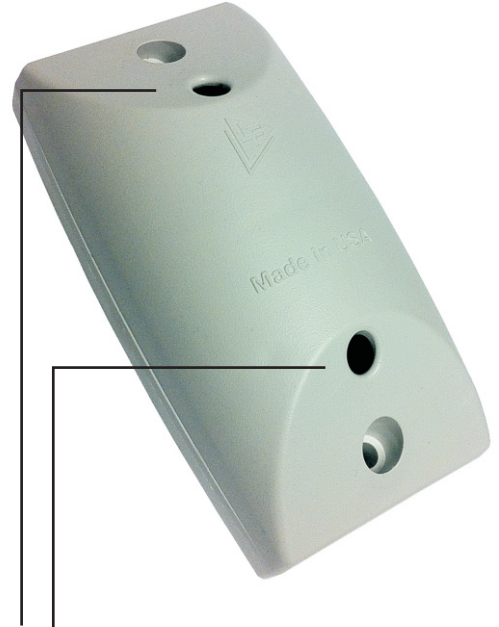


DESCRIPTION

The Model Verifact® L-DT is a bi-directional electret condenser microphone with built-in preamp. It can pick up normal sounds approximately 10 ft. away. Sound pickup on both sides of the microphone is lower than the front and back where the microphones are located. Verifact® L-DT produces low impedance line level output and can be located up to 1,000' from the Louroe base station. It is primarily designed for ceiling mounting but can also be installed on any type of flat surface. The Verifact® L-DT is compatible with all Louroe Audio Base Stations or Louroe Audio Interface Adapters.

NOTE:

Verifact® L-DT Microphone is not recommended for outdoor use or in areas with high moisture content.



MIC ELEMENTS



SPECIFICATIONS

■ Sensitivity (mic)	-45dB
■ Frequency response	300 Hz to 10kHz
■ Output	Line Level (0 dB, 1KΩ @ 1kHz)
■ Current drain	10mA
■ Supply voltage	12 Vdc
■ Microphone housing	High impact ABS
■ Dimensions	4 3/8"L x 2 1/4"W x 1 1/5"H
■ Weight	2.5 oz
Shipping Weight	1 lb

IMPORTANT NOTICE

When this equipment is used as part of an audio monitoring system, the law requires that the public be given notice of AUDIO MONITORING ON THE PREMISES. A decal notice is included with each microphone shipped.



Federal Law References:
 Federal Regulations, US Code, Title 18.
 Crime and Criminal Procedure, Sec 2510.

WARRANTY

LOUROE ELECTRONICS® warrants that at the time of shipment products manufactured by LOUROE ELECTRONICS® to be free of defects in material and workmanship. Should a defect appear within one year (12 months) from date of shipment, LOUROE ELECTRONICS will, at its sole discretion, repair or replace the defective equipment. This equipment shall not be accepted for repair or return without prior notification by LOUROE ELECTRONICS®.

This warranty does not extend to any Louroe product that has been subjected to improper or incorrect installation, misuse, accident, or in violation of installation instructions provided by LOUROE ELECTRONICS®.

Returned shipments to LOUROE ELECTRONICS® shall be at customer's expense. LOUROE ELECTRONICS® will return the equipment prepaid via best way.

INSTALLATION AND OPERATING INSTRUCTIONS

ELECTRICAL CONNECTION

The Verifact® L-DT has 2 mounting holes for surface mounting to a ceiling or other flat surface. It should be positioned so that the front and back microphone elements are 4' to 8' from the area of desired coverage.

MICROPHONE CONNECTION (See interconnection diagram in the next page)

A 3-pin terminal block is located on the back of the microphone housing, marked A, B, C.

A represents +12 Vdc Power
B represents Audio Output
C represents Ground

If using West Penn 452 or equivalent with same color code, connect:

1. Red wire (12 Vdc) connects to terminal A of microphone terminal block
2. Black wire (audio out) connects to terminal B of microphone terminal block
3. Bare wire (ground) connects to terminal C of microphone terminal block

CONNECTING VERIFACT® L-DT MICROPHONE TO A LOUROE™ BASE STATION OR AUDIO INTERFACE ADAPTER

All Louroe audio base stations and Interface Adapters have corresponding terminal blocks marked A, B, C. Connect other end of cable as follows:

1. Red wire from microphone connects to pin A of Base Station (12Vdc)
2. Black wire from microphone connects to pin B of Base Station (Audio Output)
3. Bare wire from microphone connects to pin C of Base Station (Ground)

CONNECTING VERIFACT® L-DT MICROPHONE TO OTHER AUDIO DEVICES.

If a Louroe audio base station is not used and microphone is being connected directly to another receiving device from other manufacturers, 12 Vdc power must be applied to terminals A and C. (A is positive, C is negative). Terminals B and C of microphone (C is common) go to the "Audio In" or "Line in" of the audio source. A shielded cable is recommended.

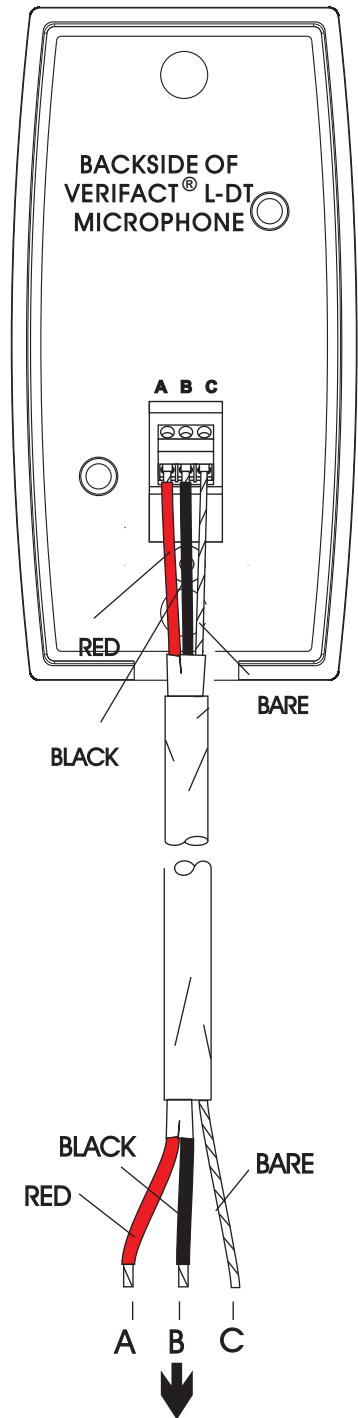
INSTALLATION TIP: If the area to be monitored for audio is noisy or has background disturbances, the microphone elements should be positioned facing the subjects (front and back). Since the unit is bi-directional, the sound from the subjects facing the microphone elements are more louder than background noise coming from the sides of the microphone.

INSTALLATION TIPS

1. Use overall shielded audio cable only. West Penn 452, Belden 8451 or equivalent. Unshielded cable is not satisfactory for sound system.
2. When used at a cash register checkout, microphone should be installed between the cashier and the customer with the microphone element facing them.
3. Avoid installing microphone near air vents, air conditioners, fans and other equipment that generate high sound and air pressure.
4. If microphone is installed in a police interview room, room should be conditioned with any type of carpeting, acoustical ceiling tiles, acoustical foam, etc. to reduce echo. This will enhance the quality of live and recorded audio.
5. When using a base station such as the APR-1 and microphone should have a barrier or solid wall between them in order to avoid audio feedback, especially when they are in close proximity to each other. If no barrier, microphone should be at least 25' from APR-1 to avoid acoustical feedback.

INSTALLATION AND OPERATING INSTRUCTIONS

INTERCONNECTION DIAGRAM BETWEEN THE VERIFACT® L-DT AND RECEIVING DEVICES SUCH AS A BASE STATION OR AUDIO INTERFACE ADAPTOR



WIRING REQUIREMENTS

2 Conductor **shielded** cable, 22 gauge with a 24 gauge drain wire.

NOTE: Unshielded cable is not satisfactory for audio systems.

West Penn 452 or equivalent

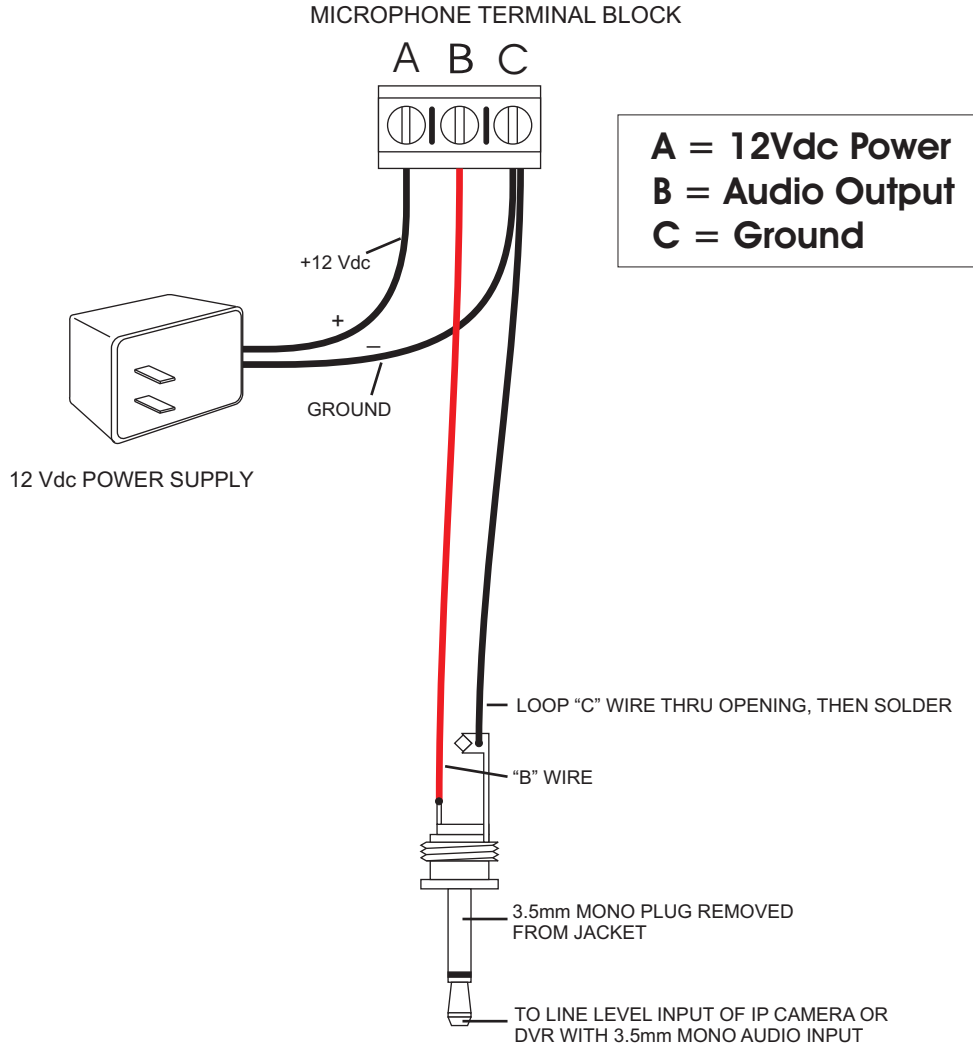


A = +12Vdc (RED)
B = Audio (BLACK)
C = Ground (BARE)

TO LOUOE™ BASE STATIONS AND AUDIO INTERFACES
OR
OTHER AUDIO RECIVERS AND RECORDERS

INSTALLATION AND OPERATING INSTRUCTIONS

CONNECTING A LOUROE MICROPHONE DIRECTLY TO AN IP CAMERA, ENCODER OR DVR WITH 3.5mm MONO AUDIO INPUT



OTHER PLUGS WIRING CONFIGURATION

