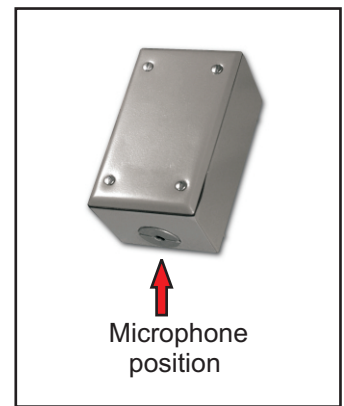


DESCRIPTION

The Verifact® E Microphone is an electret condenser microphone with pre-amp and omni-directional pick-up. The electronics are mounted inside a single gang Bell Box® housing that is designed for outdoor use or in a moist environment. The microphone element is mounted at the bottom of the housing. The Model E is compatible with all Louroe base stations or IF-1, IF-2, IF-4 and IF-8 Audio Interface Adapters and may be mounted up to 1,000 ft. from these units. The output(s) of the Louroe base station or IF series audio interface adapters can interface with a DVR, IP Network Camera, Video Server, etc.



Verifact® E Microphone


SPECIFICATIONS

■ Sensitivity	-45 dBV/Pa 1 Pa = 94 dB SPL
■ Frequency Response	50 Hz to 15 kHz
■ Output	Line Level (0 dBV, 600Ω @ 1kHz)
■ Current Drain	10mA
■ Supply Voltage	12 Vdc
■ Microphone Housing	Single gang Bell Box
■ Dimensions	4 3/8"H x 2 3/4 "W x 2"D
■ Weight	11.5 oz
Shipping Weight	1 lb

IMPORTANT NOTICE

When this equipment is used as part of an audio monitoring system, the law requires that the public be given notice of **AUDIO MONITORING ON THE PREMISES**. A decal notice is included with each microphone shipped.



Federal Law References:
Federal Regulations, US Code, Title 18. Crime and Criminal Procedure, Sec.2510.

WARRANTY

LOUROE ELECTRONICS® warrants that at the time of shipment products manufactured by LOUROE ELECTRONICS® to be free of defects in material and workmanship. Should a defect appear within one year (12 months) from date of shipment, LOUROE ELECTRONICS will, at its sole discretion, repair or replace the defective equipment. This equipment shall not be accepted for repair or return without prior notification by LOUROE ELECTRONICS®.

This warranty does not extend to any Louroe product that has been subjected to improper or incorrect installation, misuse, accident, or in violation of installation instructions provided by LOUROE ELECTRONICS®.

Returned shipments to LOUROE ELECTRONICS® shall be at customer's expense. LOUROE ELECTRONICS® will return the equipment prepaid via best way.

INSTALLATION AND OPERATING INSTRUCTIONS

MECHANICAL INSTALLATION

Verifact® E Microphone is designed for surface mounting to a wall or a pole. It should be located 6 to 8 ft. from the area of desired coverage. One inch threaded knock-outs are located at the top and back side of Bell Box® for conduit connection. As a finished unit, the Verifact® E Microphone is classified as **WEATHER RESISTANT**. **Sealing around face plate and conduit connection is required**. Make certain Verifact® E assembly is mounted so that microphone portion is facing downward.

WIRING CONNECTION TO MICROPHONE

Remove Verifact® E faceplate. Attached to face plate is a PC Board with a small 3-pin terminal block marked A, B, C. Using recommended wiring connect as follows:

RED connects to terminal A (12 Vdc Power)
BLACK connects to terminal B (Audio output)
BARE connects to terminal C (Ground)

WIRING CONNECTION TO A LOUROE BASE STATION OR IF-1, IF-2, IF-4 AND IF-8 ADAPTERS

Louroe base stations and the IF-Series Interface Adapters contain a 3-pin terminal block (or blocks if multiple zones) marked A, B, C. Bring in other end of cable and make connections matching A to A, B to B and C to C. (Terminal A of base station or Interface Adapter sends phantom power to the microphone).

Refer to connection diagram on page 3.

DIRECT CONNECTION TO A DVR, IP NETWORK CAMERA OR OTHER AUDIO SOURCE

If a Louroe Base Station or Model IF-Series Interface Adapters is not being used and Model E is to be connected directly to a DVR or other audio source, use the following procedure.

- 1) Apply 12 Vdc (100 mA minimum) to PC board's terminals A and C, A is positive, C is ground
- 2) Connect a single conductor shielded cable to terminal B of microphone
- 3) Connect a 24 gauge drain wire to terminal C of microphone (C is common for power and audio output)
- 4) At DVR, etc. location, solder shielded wire from terminal B of microphone to the center (or tip) of an RCA plug
- 5) Solder drain wire from terminal C of microphone to the sleeve of the RCA plug
- 6) Connect RCA plug to the "Audio In" jack of DVR, IP Network camera, Video Server, Etc.

If "Audio In" jack of DVR, IP network cameras, etc. is other than RCA or 3.5mm, refer to manufacturers instructions for connections

MICROPHONE SENSITIVITY SWITCH

The microphone pre-amp (PC board) contains a sensitivity switch with two positions (see page 2):

N represents normal sensitivity (zero dB @ 1,000W)

L represents lower sensitivity (-6 dB @ 1,000W)

Microphone is always shipped in the N position.
For less microphone sensitivity, move slide switch to L position. Do not change unless required.

INSTALLATION AND OPERATING INSTRUCTIONS

TO LOUROY BASE STATION, AUDIO INTERFACE
OR OTHER RECEIVING DEVICES

WIRING REQUIREMENTS

2 Conductor **shielded** cable, 22 gauge with a 24 gauge drain wire.

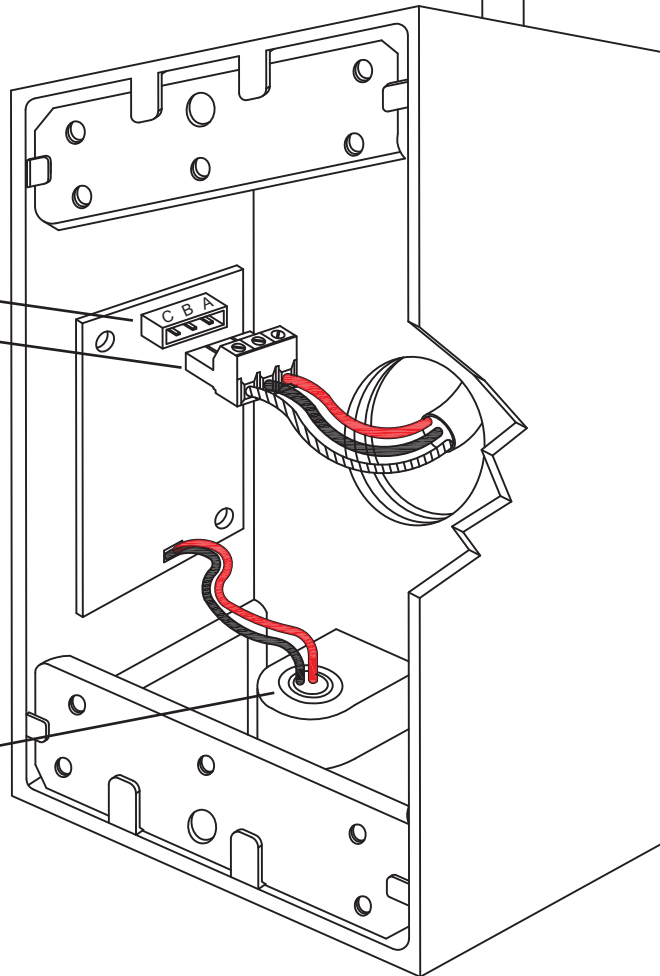
NOTE: Unshielded cable is not satisfactory for audio systems.

West Penn 452 or equivalent



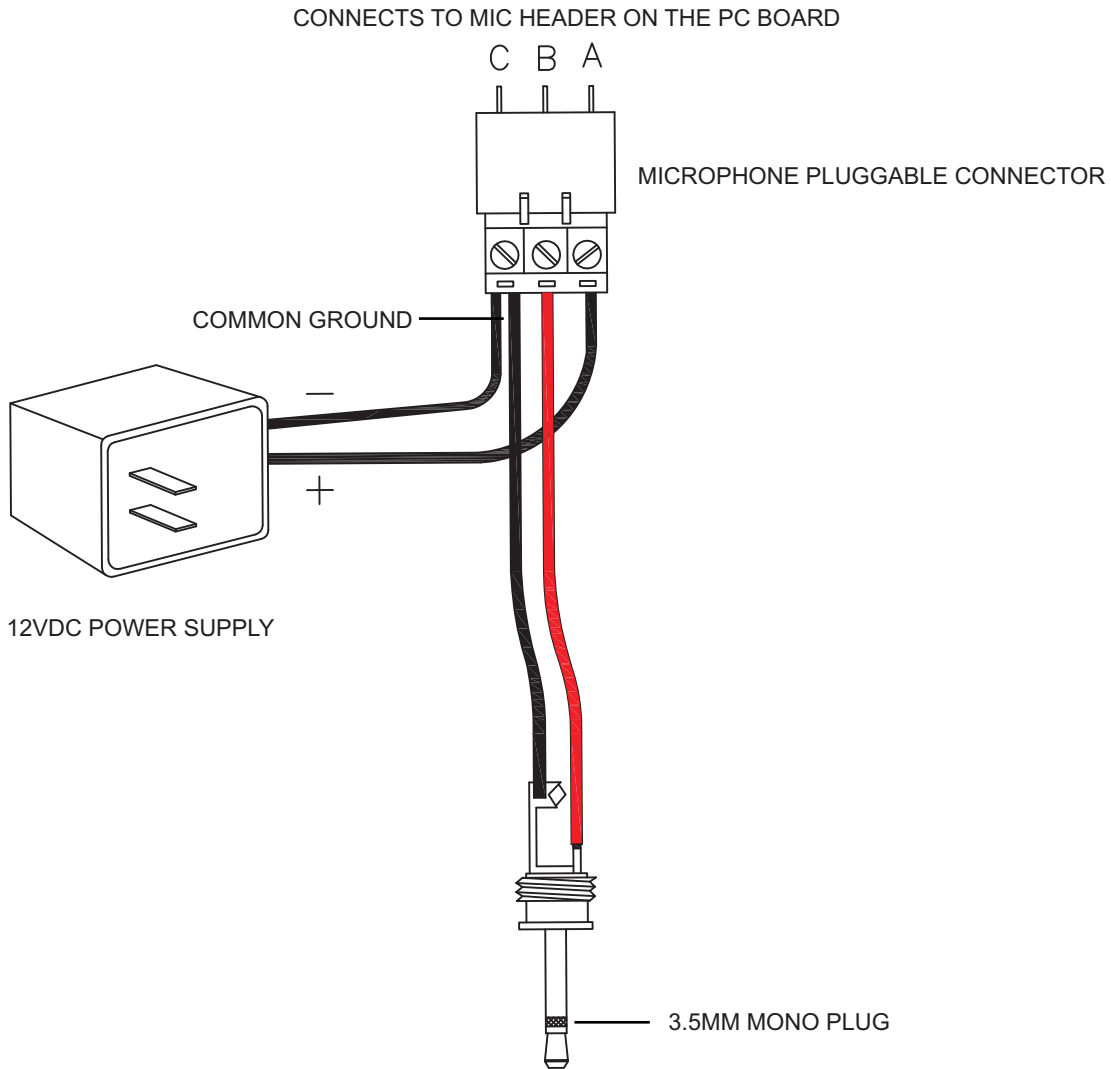
PLUGGABLE HEADER
PLUGGABLE CONNECTOR

MIC ELEMENT



INSTALLATION AND OPERATING INSTRUCTIONS

CONNECTING A LOUROE MICROPHONE DIRECTLY TO AN IP CAMERA, ENCODER OR DVR WITH 3.5mm MONO AUDIO INPUT



OTHER PLUGS WIRING CONFIGURATION

