

DESCRIPTION

The Verifact® E-AGC is an omni-directional, low impedance, electret condenser microphone with built-in preamp and automatic gain control. It can pick up normal sounds approximately 25 ft. away, or within a 50 ft. diameter circle. It's built-in limiter prevents the output signal to be overdriven thus minimizing distortion. Verifact® E-AGC produces line level output (0 dB) and can be located up to 1,000' from the Louroe base station. The gain of the microphone can be adjusted through a potentiometer up to +10dB. The microphone preamp is mounted inside a single gang Bell Box housing that is designed for outdoor use or in moist environment. The Verifact® E-AGC is compatible with all Louroe Audio Base Stations or Louroe Audio Interface Adapters.

VERIFACT® EGC

FRONT

BACK



SPECIFICATIONS

Microphone Sensitivity	-45dB
Frequency response	50 Hz to 8 kHz
Output	Line Level (0 dB, 1kΩ at 1 KHz)
Current drain	10 mA
Supply voltage	12 Vdc
Output gain	+10dB
Microphone housing	Standard single gang Bell Box
Dimensions	4 1/2" H x 2 3/4" W x 2 3/16" D
Weight	11.5 oz
Weight	1 lb

IMPORTANT NOTICE

When this equipment is used as part of an audio monitoring system, the law requires that the public be given notice of AUDIO MONITORING ON THE PREMISES. A decal notice is included with each microphone shipped.



Federal Law References:
 Federal Regulations, US Code, Title 18.
 Crime and Criminal Procedure, Sec 2510.

WARRANTY

LOUROE ELECTRONICS® warrants that at the time of shipment products manufactured by LOUROE ELECTRONICS® to be free of defects in material and workmanship. Should a defect appear within one year (12 months) from date of shipment, LOUROE ELECTRONICS® will, at its sole discretion, repair or replace the defective equipment. This equipment shall not be accepted for repair or return without prior notification by LOUROE ELECTRONICS®.

This warranty does not extend to any Louroe product that has been subjected to improper or incorrect installation, misuse, accident, or in violation of installation instructions provided by LOUROE ELECTRONICS®.

Returned shipments to LOUROE ELECTRONICS® shall be at customer's expense. LOUROE ELECTRONICS® will return the equipment prepaid via best way.

INSTALLATION AND OPERATING INSTRUCTIONS

MECHANICAL INSTALLATION

Verifact® EGC microphone is designed for surface mounting to a wall or a pole. It should be located 6 to 8 ft. from the area of desired coverage. One inch threaded knock-outs are located at the top and back side of the Bell Box for conduit connection. As a finished unit, the Verifact® E-AGC microphone is classified as Weather Resistant. Sealing around faceplate and conduit connection is required. Make certain that when Verifact® EGC assembly is mounted, the microphone portion is facing downwards.

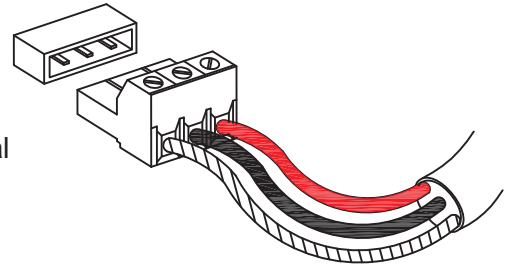
MICROPHONE CONNECTION

A 3-pin header is located on the back of the microphone housing, marked A, B, C.

A represents +12 Vdc Power
B represents Audio Output
C represents Ground

If using West Penn 452 or equivalent with same color code, starting from right to left of the pluggable connector, connect as follows: (See connections on right)

1. Red wire (12 Vdc) connects to terminal A or right hand most terminal of the pluggable connector.
2. Black wire (audio out) connects to terminal B or middle terminal of the pluggable connector
3. Bare wire (ground) connects to terminal C or left hand most of the pluggable connector.
4. After all 3 wires are tightened in place on the pluggable connector, plug it in to the 3 pin header located on the pcbboard. **See interconnection diagram on next page.**



CONNECTING VERIFACT® EGC MICROPHONE TO A LOUROE BASE STATION OR AUDIO INTERFACE ADAPTER

All Louroe audio base stations and Interface Adapters have corresponding terminal blocks marked A, B, C. Connect other end of cable as follows:

1. Red wire from microphone connects to pin A of Base Station (12Vdc)
2. Black wire from microphone connects to pin B of Base Station (Audio Output)
3. Bare wire from microphone connects to pin C of Base Station (Ground)

CONNECTING VERIFACT™ E-AGC MICROPHONE TO OTHER AUDIO DEVICES.

If a Louroe audio base station is not used and microphone is being connected directly to another receiver from other manufacturers, 12 Vdc power must be applied to terminals A and C. (A is positive, C is negative). Terminals B and C of microphone (C is common) go to the "Audio In" or "Line in" of the audio source. We recommend shielded cable connections for terminal B and C (**See last page for interconnection diagram**)

INSTALLATION TIP: If area to be monitored for audio is noisy or has background disturbances, the microphone should be positioned close to the subject (4' - 8') if possible. Also, the microphone output can be lowered by adjusting the gain control potentiometer. Rotating clockwise will increase the gain; counterclockwise decreases the gain. The factory setting is 0dB output.

INSTALLATION AND OPERATING INSTRUCTIONS

TO LOUROYE BASE STATION, AUDIO INTERFACE
OR OTHER RECEIVING DEVICES

WIRING REQUIREMENTS

2 Conductor **shielded** cable, 22 gauge with a 24 gauge drain wire.

NOTE: Unshielded cable is not satisfactory for audio systems.

West Penn 452 or equivalent

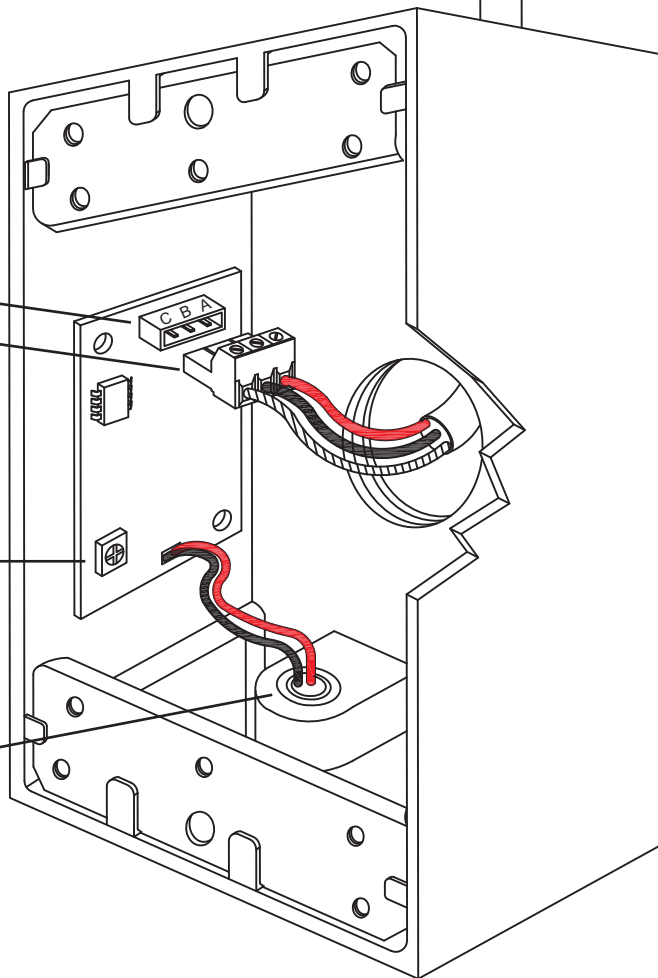


PLUGGABLE HEADER
PLUGGABLE CONNECTOR

MICROPHONE GAIN ADJUSTMENT

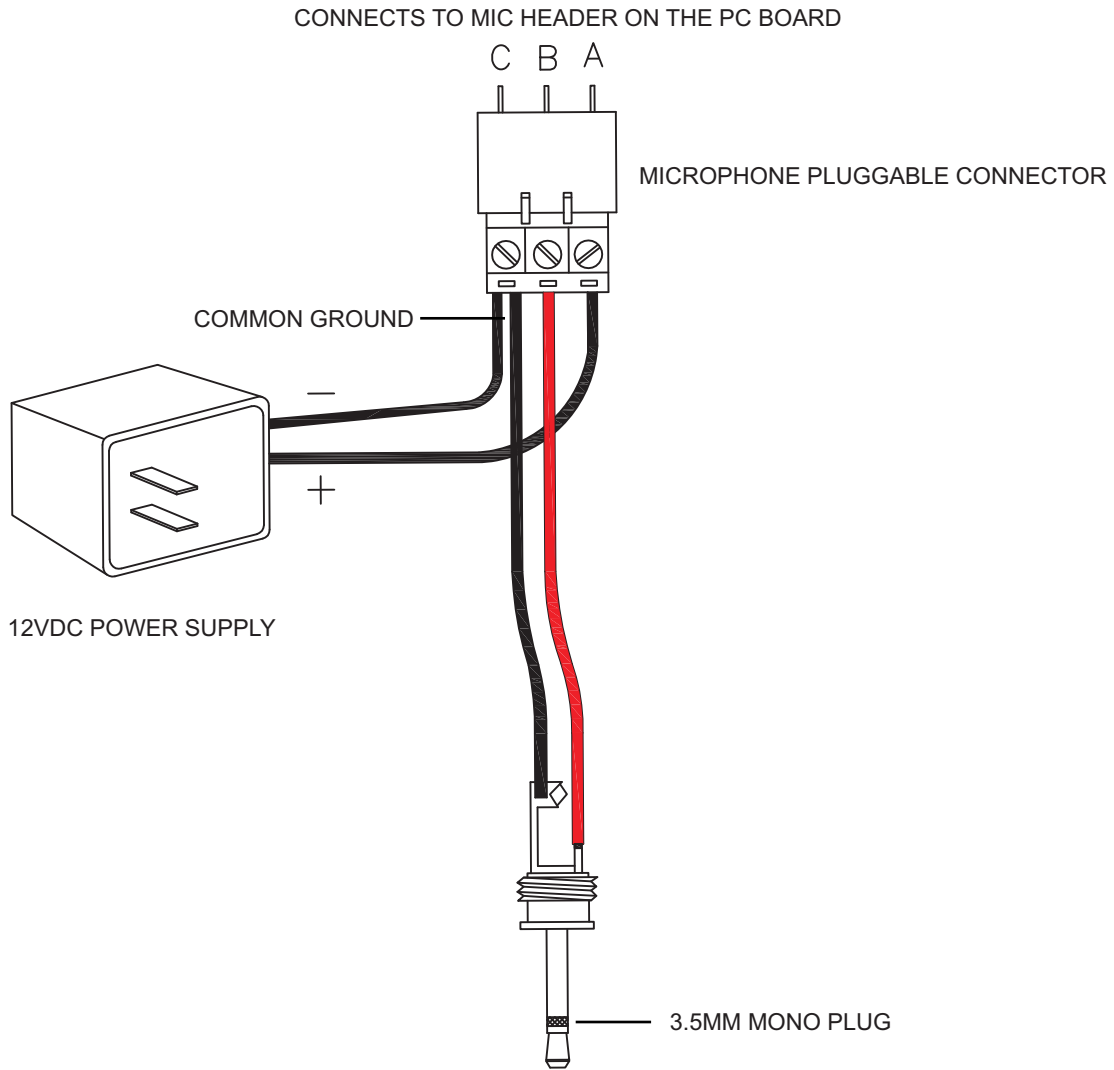
The microphone has an audio output gain potentiometer. Microphone is always shipped with a 0dB output. If it's necessary to change the gain of the microphone, insert a small screwdriver into the potentiometer rotate clockwise to increase or counterclockwise to decrease. Maximum gain is +10dB

MIC ELEMENT



INSTALLATION AND OPERATING INSTRUCTIONS

CONNECTING A LOUROE MICROPHONE DIRECTLY TO AN IP CAMERA, ENCODER OR DVR WITH 3.5mm MONO AUDIO INPUT



OTHER PLUGS WIRING CONFIGURATION

