

DESCRIPTION

The Verifact® Model K is a dynamic line level microphone with an omni-directional pattern. The modified pattern is one in which the audio pick up is more from the front of the microphone and less from the sides and back. It is especially designed for areas with excessive background noise or where the ambient sound level is high. The Verifact® Model K is pre-amplified, produces line level output and is compatible with all Louroe audio base stations and interface adapters.

When mounting, position the Verifact® K so that microphone element is facing the desired area of coverage. Microphone functions best when it is mounted close to the area to be monitored, 3' - 8' away. A vibration pad is included and may be used if the microphone will be subject to vibration (eg: transportation vehicles)




SPECIFICATIONS

Type	Dynamic, -58dBV@ 94dB SPL
Polar Pattern	Modified Omni-Directional
Frequency Response	100 Hz to 15 kHz
Output	Line Level (0 dB, 600Ω @1kHz)
Current Drain	10 mA
Supply voltage	12 Vdc
Dimensions	4 3/8"L x 2 "W x 1 3/4"H
Weight	2.5 oz
Shipping Weight	1 lb



IMPORTANT NOTICE
 When this equipment is used as part of an audio monitoring system, the law requires that the public be given notice of AUDIO MONITORING ON THE PREMISES. A decal notice is included with each microphone shipped.



Federal Law References:
 Federal Regulations, US Code, Title 18.
 Crime and Criminal Procedure, Sec 2510.

WARRANTY

LOUROE ELECTRONICS® warrants that at the time of shipment products manufactured by LOUROE ELECTRONICS® to be free of defects in material and workmanship. Should a defect appear within one year (12 months) from date of shipment, LOUROE ELECTRONICS will, at its sole discretion, repair or replace the defective equipment. This equipment shall not be accepted for repair or return without prior notification by LOUROE ELECTRONICS®.

This warranty does not extend to any Louroe product that has been subjected to improper or incorrect installation, misuse, accident, or in violation of installation instructions provided by LOUROE ELECTRONICS®.

Returned shipments to LOUROE ELECTRONICS® shall be at customer's expense. LOUROE ELECTRONICS® will return the equipment prepaid via best way.

INSTALLATION AND OPERATING INSTRUCTIONS

MICROPHONE CONNECTION

On the bottom of the Verifact® K housing is a 3- pin terminal block marked A, B, C:

A = 12Vdc (positive)	Red Wire
B = Audio Out	Black Wire
C = Ground (negative)	Bare Wire

Using recommended wiring:

- 1 - Connect RED wire to terminal A
- 2 - Connect BLACK wire to terminal B
- 3 - Connect Bare wire to terminal C

CONNECTION TO A LOUROE BASE STATION OR TO IF-1, IF-4, IF-8 INTERFACE ADAPTER

After microphone connection has been made, run cable to the Louroe Base Station or Interface Adapter. All Louroe Base Stations and Interface Adapters have a corresponding terminal block (A, B, C) for each zone. Make connections to the terminal block from microphone wire, matching A to A, B to B and C to C. If using cable from other manufacturers with a different color code, make certain that wire colors are properly matched between microphone and base station.

CONNECTION TO A LOUROE MICROPHONE MIXER (RN-2 or MLA-6)

Refer to Installation Instructions for the specified mixer.

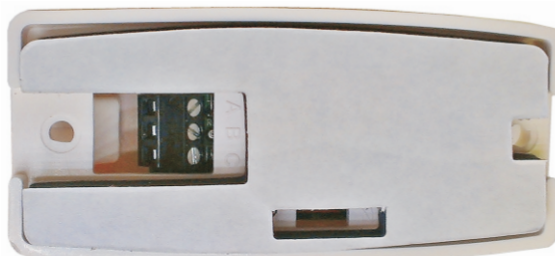
IF VERIFACT® K MICROPHONE IS BEING CONNECTED DIRECTLY TO AN AUDIO RECEIVER OTHER THAN A LOUROE BASE STATION OR INTERFACE ADAPTER (DVR, IP NETWORK CAMERA, ETC), CONNECT AS FOLLOWS (See interconnection diagram on the last page)

1. Apply 12Vdc power to terminals A and C.
(A is positive, C is negative)
2. Connect Terminal B (audio out) and Terminal C of Verifact® K Microphone to the recorder or audio receiving device using single conductor **shielded** cable, 22 gauge with a drain wire. See interconnection diagram using different types of plugs on last page. The black wire is used instead of the drain wire (bare) for color coding purposes only.

USING THE VIBRATION PAD

Remove sensitivity switch cover from the vibration pad. Peel off the paper from the adhesive back of the pad. Before sticking the pad to the back to the Verifact® K. make sure it is position so that the Sensitivity switch opening lines up with the switch cutout on the pad. See the picture below for proper mounting of pad.

VERIFACT® K
WITH
VIBRATION PAD



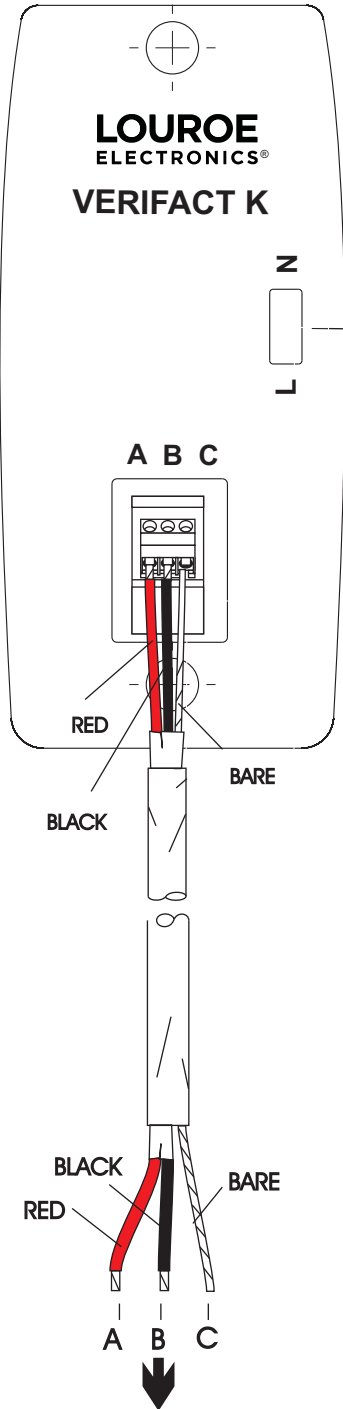
SENSITIVITY SWITCH OPENING

INSTALLATION AND OPERATING INSTRUCTIONS

VERIFACT® K MICROPHONE CONNECTION TO A LOUROE™ BASE STATION OR IF-1, IF-4, IF-8 AUDIO INTERFACE ADAPTER



SENSITIVITY SWITCH CUTOUT



SENSITIVITY SWITCH
N = Normal
L = Low

Position L lowers the gain by 11dB and is used when there is excessive background noise, or if less audio output is desired.

WIRING REQUIREMENTS

2 Conductor **shielded** cable, 22 gauge with a 24 gauge drain wire

NOTE: Unshielded cable is not satisfactory for audio systems

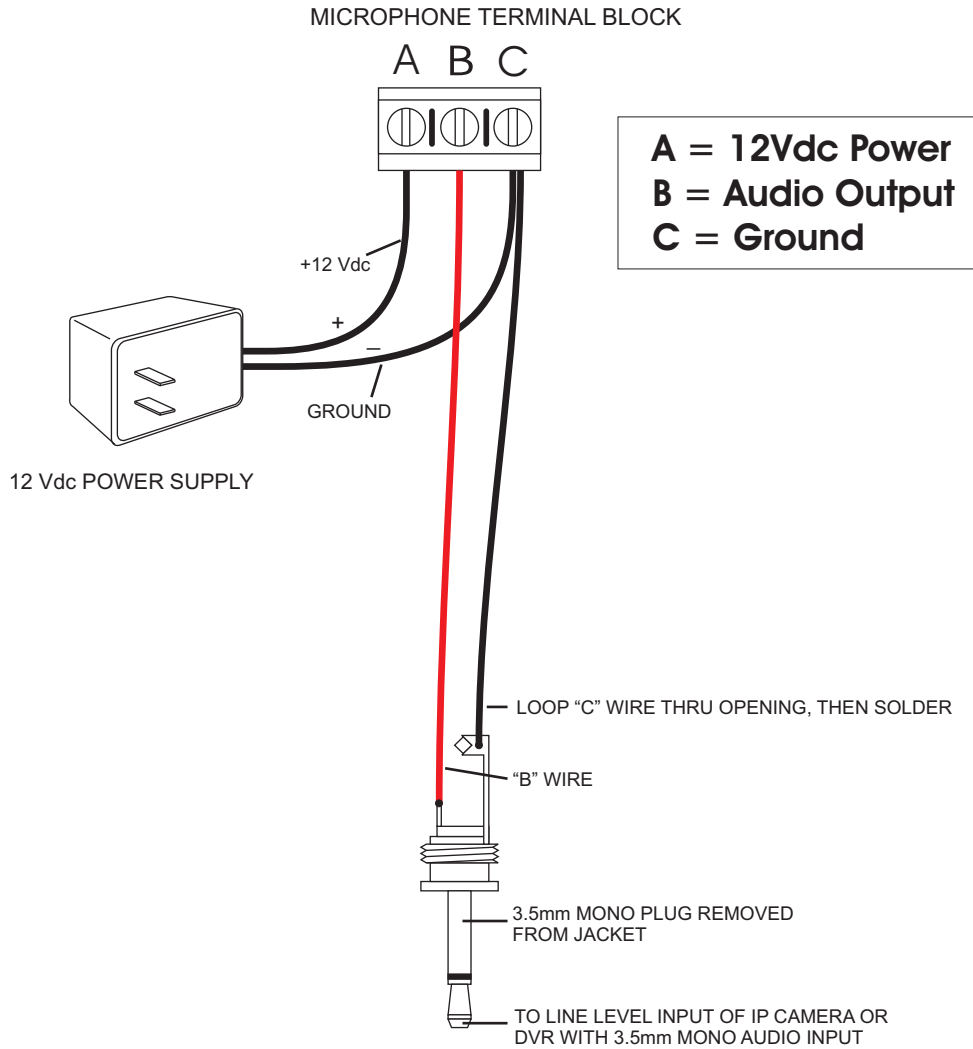
West Penn 452 or equivalent



To Receiving Device
(Base Station, Interface Adapter or Mixer)

INSTALLATION AND OPERATING INSTRUCTIONS

CONNECTING A LOUROE MICROPHONE DIRECTLY TO AN IP CAMERA, ENCODER OR DVR WITH 3.5mm MONO AUDIO INPUT



OTHER PLUGS WIRING CONFIGURATION

